



PANTER BASIC CLASSIC

Tank Capacities : 200 LT-300 LT-400 LT-500 LT-600 LT-800 LT-1000 LT
Boom Lengths : 6 MT-8 MT-10 MT-12 MT



PANTER BASIC CLASSIC



STANDARD FEATURES

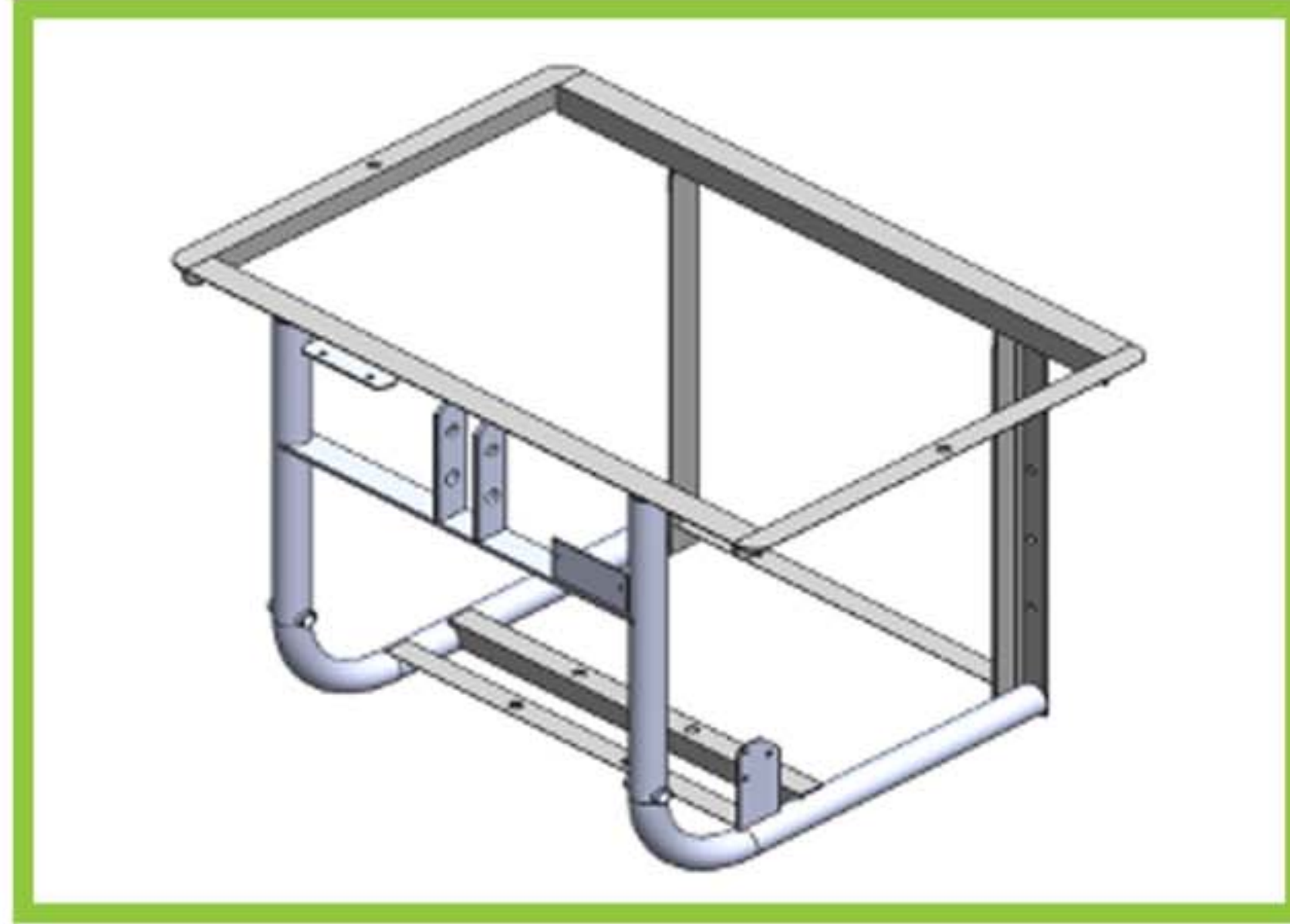
- Polyethylene Tank
- Hand Wash Tank
- Painted Frame
- Painted Boom
- STD Series Boom : 2 Sections
- Tubular Chassis for 200-300-400-500-600
- Profile Bended Chassis for 800-1000
- Plastic Pipe for Nozzle Holder
- Valve for total tank empty
- Hydraulic Mixer (Agitator)
- Filling Hose
- PTO shaft
- High Pressure Pump
- 2 Way Manual Regulator on the Frame
- Transport Wheels

NO	CODE	CAPACITY	TANK	PUMP	REGULATOR	BOOM TYPE	BOOM LENGHT	PRICES €				
								WITHOUT BOOM	BOOM WITH NOZZLE			
									Plastic	Brass	Unijet	Trijet
1.	BC200	200 LT	PLS	E-30	C-50-2	NONE	WITHOUT	100 €	100 €	100 €	100 €	100 €
2.	PBC200-6	200 LT	PLS	E-30	C-50-2	STD	6 MT	100 €	100 €	100 €	100 €	100 €
3.	BC300	300 LT	PLS	E-30	C-50-2	NONE	WITHOUT	100 €	100 €	100 €	100 €	100 €
4.	PBC300-6	300 LT	PLS	E-30	C-50-2	STD	6 MT	100 €	100 €	100 €	100 €	100 €
5.	PBC300-8	300 LT	PLS	B-71	C-50-2	STD	8 MT	100 €	100 €	100 €	100 €	100 €
6.	PBC300-10	300 LT	PLS	B-71	C-50-2	STD/KLN	10 MT	100 €	100 €	100 €	100 €	100 €
7.	BC400	400 LT	PLS	B-71	C-50-2	NONE	WITHOUT	100 €	100 €	100 €	100 €	100 €
8.	PBC400-8	400 LT	PLS	B-71	C-50-2	STD	8 MT	100 €	100 €	100 €	100 €	100 €
9.	PBC400-10	400 LT	PLS	B-71	C-50-2	STD/KLN	10 MT	100 €	100 €	100 €	100 €	100 €
10.	PBC400-12	400 LT	PLS	B-71	C-50-2	STD/KLN	12 MT	100 €	100 €	100 €	100 €	100 €
11.	BC600	600 LT	PLS	B-71	C-50-2	NONE	WITHOUT	100 €	100 €	100 €	100 €	100 €
12.	PBC600-10	600 LT	PLS	B-71	C-50-2	STD/KLN	10 MT	100 €	100 €	100 €	100 €	100 €
13.	PBC600-12	600 LT	PLS	B-71	C-50-2	STD/KLN	12 MT	100 €	100 €	100 €	100 €	100 €
14.	BC800	800 LT	PLS	B-71	C-50-2	NONE	WITHOUT	100 €	100 €	100 €	100 €	100 €
15.	PBC800-10	800 LT	PLS	B-71	C-50-2	STD/KLN	10 MT	100 €	100 €	100 €	100 €	100 €
16.	PBC800-12	800 LT	PLS	B-71	C-50-2	STD/KLN	12 MT	100 €	100 €	100 €	100 €	100 €
17.	PBC800-14	800 LT	PLS	B-71	C-50-2	KLN	14 MT	100 €	100 €	100 €	100 €	100 €
18.	BC1000	1000 LT	PLS	B-71	C-50-2	NONE	WITHOUT	100 €	100 €	100 €	100 €	100 €
19.	PBC1000-10	1000 LT	PLS	B-71	C-50-2	STD/KLN	10 MT	100 €	100 €	100 €	100 €	100 €
20.	PBC1000-12	1000 LT	PLS	B-71	C-50-2	STD/KLN	12 MT	100 €	100 €	100 €	100 €	100 €
21.	PBC1000-12	1000 LT	PLS	B-71	C-50-2	KLN	14 MT	100 €	100 €	100 €	100 €	100 €

STANDARD AND OPTIONS FOR CHASSIS

STANDARD VERSION

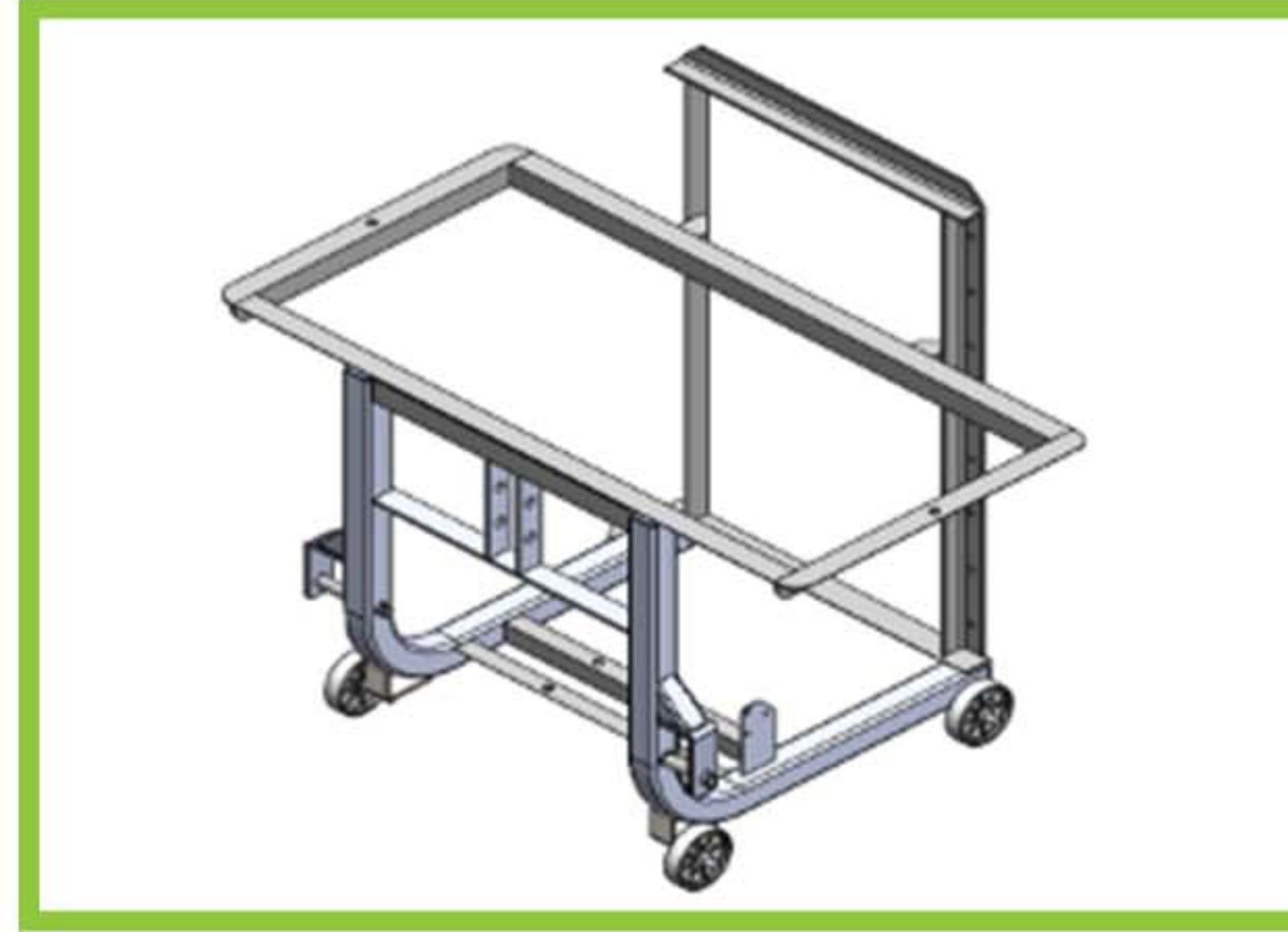
Tubular Frame



200 LT - 300 LT - 400 LT
500 LT - 600 LT

STANDARD VERSION

Profile Bended
Extended Frame



800 LT - 1000 LT

OPTIONAL VERSION

Profile Bended
Extended Frame



400 LT - 500 LT - 600 LT

NO	DESCRIPTION	PRICE €
1.	Profile Bended Extended Frame Instead of Tubular Frame for 400 LT - 500 LT - 600 LT	100 €
2.	Hot Galvanized Coated for 200-300-400-600 LT	100 €
3.	Hot Galvanized Coated for 800 LT - 1000 LT	100 €

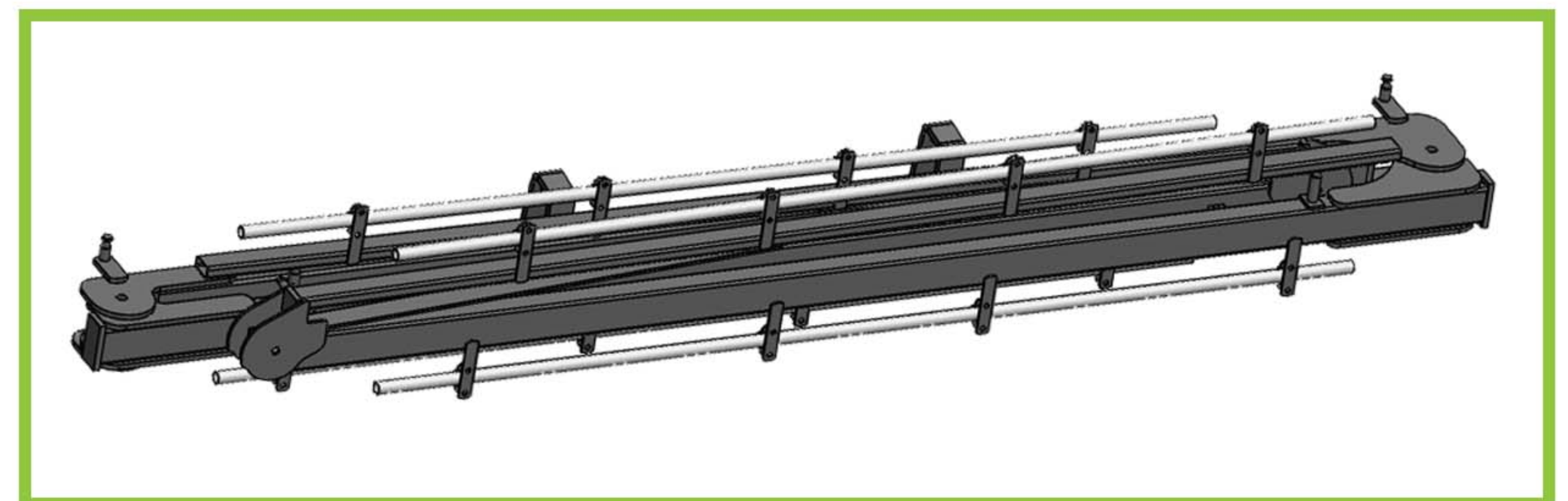
STANDARD AND OPTIONS FOR BOOMS

STD : STANDARD BOOM



W

KLN : KLN TYPE BOOM



W

TRANSPORT WIDTH -W-

6 MT	220 CM
8 MT	220 CM
10 MT	230 CM
12 MT	280 CM

TRANSPORT WIDTH -W-

10 MT	225 CM
12 MT	288 CM
14 MT	328 CM

NO	DESCRIPTION	PRICE €
1.	Hot Galvanized Coated For 6 MT boom	0 €
2.	Hot Galvanized Coated For 8-10 MT boom	1 €
3.	Hot Galvanized Coated For 12 MT boom	2 €
4.	Hot Galvanized Coated For 14 MT boom	3 €

STANDARD AND OPTION FOR PUMPS

ÖNTAR E-40 PUMP



PRESSURE	30 BAR
MEMBRANE	3 PISTON
FLOW RATE	40 LT/MIN

ÖNTAR B-71 PUMP



PRESSURE	40 BAR
MEMBRANE	3 PISTON
FLOW RATE	70 LT/MIN

ÖNTAR B-80 PUMP



PRESSURE	40 BAR
MEMBRANE	3 PISTON
FLOW RATE	80 LT/MIN

NO	DESCRIPTION	PRICE €
1.	B-80 Pump Instead of B-71 Pump	0 €

STANDARD AND OPTION FOR CONTROL UNITS

C-50 REGULATOR 2 WAY



C-50 REGULATOR 3 WAY



C-50 REGULATOR 4 WAY



NO	DESCRIPTION	PRICE €
1.	C-50 Regulator 3 Way Instead of C-50 Regulator 2 Way	0 €
2.	C-50 Regulator 4 Way Instead of C-50 Regulator 3 Way	0 €

EXTRAS

SINGLE HOSE REEL



100 €

DOUBLE HOSE REEL



100 €

SPRAY HOSE 8 MM



100 €

SPRAY HOSE 10 MM



100 €

SHORT SPRAYER GUN



100 €

LONG SPRAYER GUN



100 €

TURBO SPRAYER GUN



100 €

REFERENCE PICTURES



400 LT - 8 MT



400 LT - 10 MT

(Hot Galvanized Frame and Boom - C-50 4 Way Regulator - Unijet)



600 LT - 10 MT

(Profile Bended Extended Frame / Hose Reel + 25 m Hose + Spray Gun)



ÖNTAR®

ÖNTAR TARIM ALETLERİ

Address : Konya Organize Sanayi Bölgesi
Büyük Kayacık Mah. 405 Nolu Sk. No: 28 Selçuklu / KONYA

Phone : (+90 332) 444 0 812

E-mail: bilgi@ontar.com.tr

www.ontar.com.tr