

1400886 (82PST39)



distributor:

EN | DE | ES | IT | FR | PT | NL | RU | FI | SV | NO | DA |
PL | CS | SK | SL | HR | HU | RO | BG | EL | AR | TR | HE
| LT | LV | ET | MK | SR | SQ |



cramertools.com

DECLARATION OF CONFORMITY (UK)

Name and address of the manufacturer:

Name: GLOBGRO AB
Globe Group Europe
Address: Riggaregatan 53, 211 13 Malmö, Sweden

Name and address of the Authorized representative:

Name: Garden Equipment Ltd
Address: First Floor, 3a Groveley Road, Christchurch,
Dorset, BH23 3HB, UK

Name and address of the person authorised to compile the technical file:

Name: Simon Del-Nevo
Address: First Floor, 3a Groveley Road, Christchurch,
Dorset, BH23 3HB, UK

Here with we declare that the product

Category: Pole saw
Model: 82PST39(PSB402)
Serial number: See product rating label
Year of Construction: See product rating label

- is in conformity with the relevant provisions of the Supply of Machinery (Safety) Regulations 2008.
- is in conformity with the provisions of the following other UK legislation:
 - Electromagnetic Compatibility Regulations 2016
 - Noise Emission in the Environment by Equipment for use Outdoors Regulations 2001
 - The Restriction of the Use of Certain Hazardous Substances in Electrical and Electronic Equipment Regulations 2012

Furthermore, we declare that the following standard have been used:

EN 62841-1:2015, EN ISO 11680-1:2011, EN 55014-1:2017 +A1:2020, EN 55014-2:2015, EN ISO 3744:2010, ISO 11094:1991, IEC 62321-3-1:2013, IEC 62321-4:2013, IEC 62321-5:2013, IEC 62321-6:2015, IEC 62321-7-1:2015, IEC 62321-7-2:2017, IEC 62321-8:2017

Conformity assessment method to Annex V Noise Emission in the Environment by Equipment for use Outdoors Regulations 2001.

Measured sound power level 95.7 dB(A)

Guaranteed sound power level 99 dB(A)

The type-examination certificate number: issued by SGS United Kingdom Limited (0120), Unit 12A & 12B, Bowburn South Ind Est Durham, DH6 5AD United Kingdom

Place, date: Christchurch, Dorset, UK 07.17.2021

Signature: Ted Qu, Quality Director



1	Description.....	4	4.1	Examine the chain lubrication.....	5
1.1	Purpose.....	4	4.2	Start the machine.....	5
1.2	Overview.....	4	4.3	Stop the machine.....	6
2	General safety warnings.....	4	4.4	Delimiting a tree.....	6
3	Installation.....	4	4.5	Limb tree branches.....	6
3.1	Unpack the machine.....	4	5	Maintenance.....	6
3.2	Add the bar and chain lubricant.....	4	5.1	Adjust the chain tension.....	6
3.3	Assemble the guide bar and the chain.....	4	5.2	Sharpen the cutters.....	6
3.4	Use the shoulder strap.....	5	5.3	Guide bar maintenance.....	7
3.5	Adjust the length of the pole saw.....	5	6	Transportation and storage.....	7
3.6	Adjust the angel of the pole saw head.....	5	7	Troubleshooting.....	7
3.7	Cutting preparation.....	5	8	Technical data.....	8
3.8	Install the battery pack.....	5	9	EC Declaration of conformity.....	8
3.9	Remove the battery pack.....	5			
4	Operation.....	5			

1 DESCRIPTION

1.1 PURPOSE

The product fitted with a cutting attachment mounted on a pole to enable the operator to cut the branches of standing trees but not intends for cutting woods as normal chainsaw.

This appliance is not intended for use by persons (including children) with reduced understanding, or lack of experience and knowledge, unless they have been given supervision or instruction concerning use of the appliance by a person responsible for their safety.

Children should be supervised to ensure that they do not play with the appliance.

1.2 OVERVIEW

Figure 1-20.

- | | |
|-------------------------|---------------------------|
| 1 Lock-out button | 12 Saw chain |
| 2 Small lock-out button | 13 Oil tank cap |
| 3 Trigger | 14 Oil indicator |
| 4 Auxiliary handle | 15 Bar groove |
| 5 Pole saw handle | 16 Cutter |
| 6 Carrying ring | 17 Chain drive links |
| 7 Screw cap | 18 Sprocket |
| 8 Extension pole | 19 Chain tension pin hole |
| 9 Pole saw head | 20 Chain cover lock nut |
| 10 Chain cover | 21 Chain tension screw |
| 11 Guide bar | |

2 GENERAL SAFETY WARNINGS

▲ WARNING

Read all safety warnings, instructions, illustrations and specifications provided with this machine. Failure to follow all instructions listed below may result in electric shock, fire and/or serious injury.

Save all warnings and instructions for future reference.

The term "power tool" in the warnings refers to your mains-operated (corded) power tool or battery-operated (cordless) power tool.

3 INSTALLATION

3.1 UNPACK THE MACHINE

▲ WARNING

Make sure that you correctly assemble the machine before use.

▲ WARNING

- If the parts are damaged, do not use the machine.
- If you do not have all the parts, do not operate the machine.
- If the parts are damaged or missing, speak to the service center.

1. Open the package.
2. Read the documentation in the box.
3. Remove all the unassembled parts from the box.
4. Remove the machine from the box.
5. Discard the box and package in compliance with local regulations.

3.2 ADD THE BAR AND CHAIN LUBRICANT

Examine the amount of oil in the machine. If the oil level is low, add the bar and chain lubricant as follows.

i IMPORTANT

Use bar and chain lubricant that is only for chains and chain oilers.

i NOTE

The machine comes from the factory without bar and chain lubricant.

1. Loosen and remove the cap from the oil tank.
2. Put the oil into the oil tank.
3. Monitor the oil indicator to make sure that no dirt enters in the oil tank while you add the oil.
4. Put the oil cap on.
5. Tighten the oil cap.
6. A completely filled oil tank will last for 15 - 40 minutes operating time.

i IMPORTANT

Do not use dirty, used or contaminated oil. Damage can occur to the bar or chain.

3.3 ASSEMBLE THE GUIDE BAR AND THE CHAIN

Figure 10-14.

1. Remove the battery pack from the machine.
2. Remove the chain cover nuts with the wrench.
3. Remove the chain cover.
4. Put the chain drive links into the bar groove.
5. Put the chain cutters in the direction of the chain operation.

- Put the chain in position and make sure that the loop is behind the guide bar.
- Hold the chain and bar.
- Put the chain loop around the sprocket.
- Make sure the chain tension pin hole on the guide bar fits correctly with the bolt.
- Install the chain cover.
- Tighten the chain. Refer to *Adjust the chain tension*.
- Tighten the nuts when the chain is well tensioned.

i NOTE

If you start the chain saw with a new chain, have a test for 2-3 minutes. After that, examine the tension again and tighten the chain if necessary.

3.4 USE THE SHOULDER STRAP

Figure 4.

- Attach the carabiner to the carrying ring on the pole.
- Put on the shoulder strap.
- Adjust the length of the strap so that the carabiner is about the width of a hand below your right hip.

3.5 ADJUST THE LENGTH OF THE POLE SAW

Figure 3.

- Loose the collar by turning it counterclockwise.
- Pull the extension pole upward or backward to adjust the length of the pole saw.
- Tighten the collar.

3.6 ADJUST THE ANGEL OF THE POLE SAW HEAD

The pole saw head has two angels : 0° or 90°, the pole saw can cut vertically or horizontally.

Figure 6.

- Loose the two screws on the pole saw head with the wrench.
- Turning the pole saw head 90° until the screws fit into the screw holes on the pole.
- Tighten the screws.

3.7 CUTTING PREPARATION

Figure 4.

Before you start to cut, make sure that

- Wear heavy gloves for maximum grip and protection.
- Maintain a proper grip on the machine during operation.
 - Use your right hand grip on the rear handle while your left hand grip on the pole shaft.

- Keep your body to the left of the chain line.
- Never use a left-handed (cross-handed) grip, or any stance that places your body or arm across the chain line.
- Never stand directly under the limb you are cutting.
- Periodically examine the tightness of the collars during operation.

3.8 INSTALL THE BATTERY PACK

Figure 5.

▲ WARNING

- If the battery pack or charger is damaged, replace the battery pack or the charger.
- Stop the machine and wait until the motor stops before you install or remove the battery pack.
- Read, understand, and follow the instructions in the battery and charger manual.

- Align the lift ribs on the battery pack with the grooves in the battery compartment.
- Push the battery pack into the battery compartment until the battery pack locks into place.
- When you hear a click, the battery pack is installed.

3.9 REMOVE THE BATTERY PACK

Figure 5.

- Push and hold the battery release button.
- Remove the battery pack from the machine.

4 OPERATION

i NOTE

Remove the battery pack and keep hands clear of the lock out button when you move the machine.

i IMPORTANT

Examine the chain tension before each use.

4.1 EXAMINE THE CHAIN LUBRICATION

i NOTE

Do not use the machine without sufficient chain lubrication.

Figure 2.

- Examine the lubricant level of the machine from the oil indicator.
- Add more lubricant if it is necessary.

4.2 START THE MACHINE

Figure 7.

1. Install the battery pack into the machine.
2. Press the safety lock button.
3. Pull the small safety lock button upward.
4. Press the trigger.

4.3 STOP THE MACHINE

Figure 7.

1. Release the trigger to stop the machine.

4.4 DELIMBING A TREE

Figure 8.

▲ WARNING

Make sure that there is nothing or nobody in the area where the branches fall.

- Stand opposite the branch you will cut.
- Start to cut the higher branches.
- Then cut the lower branches.
- Cut downwards to prevent the bar from jamming.

4.5 LIMB TREE BRANCHES

Limbing is to remove the branches from a fallen tree.

Figure 9.

1. Keep the larger lower branches to hold the log off the ground.
2. Remove the small limbs in one cut.
3. Limb the branches with tension from the bottom to up.
4. Keep the larger lower branches as a support until the log is limbed.

5 MAINTENANCE

▲ CAUTION

Do not let brake fluids, gasoline, petroleum-based materials touch the plastic parts. Chemicals can cause damage to the plastic, and make the plastic unserviceable.

▲ CAUTION

Do not use strong solvents or detergents on the plastic housing or components.

▲ WARNING

Remove the battery pack from the machine before maintenance.

5.1 ADJUST THE CHAIN TENSION

Figure 10.13.14

▲ CAUTION

Wear protective gloves if you touch the chain, bar or areas around the chain.

1. Loosen the chain cover by turning the chain cover lock nut counterclockwise.

i NOTE

It is not necessary to remove the chain cover to adjust the chain tension.

2. Turn the chain adjustment screw clockwise to increase the chain tension.
3. Turn the chain adjustment screw counterclockwise to decrease the chain tension.
4. When the chain is at the wanted tension, tighten the chain cover.

5.2 SHARPEN THE CUTTERS

Sharpen the cutters if it is not easy for the chain to go into the wood.

i NOTE

We recommend that your dealer, which has an electric sharpener, perform important sharpening work.

Figure 15-18.

1. Tensioning chain.
2. Sharpen the cutters corner with a 4.5 mm diameter round file .
3. Sharpen the top plate, side plate and depth gauge with a flat file.
4. File all the cutters to the specified angles and the same length.

i NOTE

During the process,

- Keep the file flat with the surface to be sharpened.
- Use the midpoint of the file bar.
- Use light but firm pressure when sharpening the surface.
- Lift the file away on each return stroke.
- Sharpen the cutters on one side and then move to the other side.

Replace the chain if:

- The length of the cutting edges is less than 5 mm.
- There is too much space between the drive links and the rivets.
- The cut speed is slow
- Sharpening the chain many times but it does not increase the cutting speed. The chain is worn.

5.3 GUIDE BAR MAINTENANCE

Figure 19-20.

i NOTE

Make sure that it is turned over periodically to keep symmetrical wear on the bar.

1. Lubricate the bearings on the nose sprocket (if present) with the syringe (not included).
2. Clean the bar groove with the scraping hook (not included).
3. Clean the lubrication holes.
4. Remove burr from the edges and level the cutters with a flat file.

Replace the bar if:

- the groove is not fit with the height of the drive links (which must never touch the bottom).
- the inside of the guide bar is worn and make the chain lean to one side.

6 TRANSPORTATION AND STORAGE

Before you move the machine, always

- Remove the battery pack from the machine.
- Keep hands clear of the lock-out button.
- Put the scabbard on the guide bar and the chain.

Before you put the machine into storage, always

- Remove all residual oil from the machine.
- Remove the battery pack from the machine.
- Clean all unwanted material from the machine.
- Make sure that the storage area is
 - Not available to children.
 - Away from agents which can cause corrosion, such as garden chemicals and de-icing salts.

7 TROUBLESHOOTING

Problem	Possible cause	Solution
The machine does not start.	The poles are not assembled correctly.	Assemble the poles according to the instructions.
	The lock-out button and trigger are not depressed at the same time.	<ol style="list-style-type: none"> 1. Push and hold the lock-out button 2. While you hold the lock-out button, pull the trigger. 3. Release the lock-out button to start the machine.
The bar and chain gets hot and smokes.	Oil tank is empty.	Fill the oil tank.
	The discharge port is blocked.	<ol style="list-style-type: none"> 1. Remove the battery pack. 2. Remove dirt from the discharge port.
	Inlet opening of inner oil tank is blocked.	<ol style="list-style-type: none"> 1. Clean the oil tank. 2. Fill with clean bar and chain lubricant.
	The sprocket is stuck and clogged with debris.	<ol style="list-style-type: none"> 1. Clean the sprocket. 2. Fill with clean bar and chain lubricant.
The bar and chain gets too hot and can not cut.	The chain tension is too tight or too loose.	Refer to Adjust the Chain Tension in the manual.
	The chain is dull	Sharpen or replace the chain.
	The chain is put on backwards.	Take out the chain and turn it in the right direction.
The motor runs, but the chain does not cut correctly, or the motor stops after around 3 seconds.	When you use the machine under load, it stops.	<ol style="list-style-type: none"> 1. Release the trigger. 2. Start the machine again.
	The chain is not lubricated.	Lubricate the chain to decrease the friction.

8 TECHNICAL DATA

Voltage	82 V DC
No load speed	20.5 m/s
Guide bar length	250 mm
Chain oil capacity	150 ml
Weight (without battery pack)	5.35 kg
Measured sound pressure level	$L_{pA} = 83 \text{ dB(A)}$, $K_{pA} = 3 \text{ dB(A)}$
Guaranteed sound power level	$L_{wA,d} = 99 \text{ dB(A)}$
Vibration	$< 2.5 \text{ m/s}^2$, $K = 1.5 \text{ m/s}^2$
Chain	25AP058X
Guide bar	100SDAA041(509877)
Battery model	82V180, 82V290P, 82V360, 82V580P and other BAB series
Charger model	82C6 and other CAB series
IPX	IPX4

9 EC DECLARATION OF CONFORMITY

Name and address of the manufacturer:

Name: GLOBGRO AB
Globe Group Europe
Address: Riggaregatan 53, 211 13 Malmö, Sweden

Name and address of the person authorised to compile the technical file:

Name: Micael Johansson
Address: Riggaregatan 53, 211 13 Malmö, Sweden

Herewith we declare that the product

Category: Polesaw
Model: 82PST39(PSB402)
Serial number: See product rating label
Year of Construction: See product rating label

- is in conformity with the relevant provisions of the Machinery Directive 2006/42/EC.
- is in conformity with the provisions of the following other EC-Directives:
 - 2014/30/EU

- 2000/14/EC & 2005/88/EC
- 2011/65/EU & (EU)2015/863

Furthermore, we declare that the following (parts/clauses of) European harmonised standards have been used:

- EN 60745-1, EN ISO 11680-1, EN 55014-1, EN 55014-2, EN ISO 3744, ISO 11094, IEC 62321-3-1, IEC 62321-4, IEC 62321-5, IEC 62321-6, IEC 62321-7-1, IEC 62321-7-2, IEC 62321-8

Measured sound power level: L_{wA} : 95.7 dB(A)

Guaranteed sound power level: $L_{wA,d}$: 99 dB(A)

Conformity assessment method to Annex V Directive 2000/14/EC.

The EC type-examination certificate number: issued by SGS Fimko Ltd (0598), Takomotie 8, FI-00380 Helsinki, Finland.

Place, date: Malmö, Signature: Ted Qu, Quality Director
11.11.2021

Ted Qu

1 BESCHREIBUNG

1.1 VERWENDUNGSZWECK

Das Gerät ist mit einer Schneidvorrichtung ausgestattet, die an einem Stab montiert ist, um es dem Bediener zu ermöglichen, die Äste stehender Bäume zu schneiden. Das Gerät ist nicht dazu bestimmt, Holz zu schneiden, als wäre es eine normale Motorsäge.

Diese Vorrichtung ist nicht für die Verwendung durch Personen (einschließlich Kinder) mit eingeschränktem Verständnis oder mangelnder Erfahrung und Kenntnis bestimmt, es sei denn, sie wurden von einer für ihre Sicherheit verantwortlichen Person beaufsichtigt oder angewiesen.

Kinder sollten beaufsichtigt werden, um sicherzustellen, dass sie nicht mit der Vorrichtung spielen.

1.2 ÜBERSICHT

Abbildung 1-20.

- | | |
|-----------------------------------|---|
| 1 Sperrtaste | 12 Sägekette |
| 2 Kleine Sperrtaste | 13 Öltankdeckel |
| 3 Auslöser | 14 Ölanzeige |
| 4 Zusatzgriff | 15 Schienennut |
| 5 Griff des Teleskop-Hochtastlers | 16 Schneiden |
| 6 Tragering | 17 Kettenantriebsglieder |
| 7 Schraubverschluss | 18 Kettenrad |
| 8 Verlängerungsstab | 19 Loch für den Kettenspannstift |
| 9 Kopf des Teleskop-Hochtastlers | 20 Kettenabdeckungs-Verriegelungsmutter |
| 10 Kettenabdeckung | 21 Kettenspannschraube |
| 11 Führungsschiene | |

2 ALLGEMEINE SICHERHEITSHINWEISE

▲ WARNUNG

Lesen Sie alle Sicherheitshinweise, Anweisungen, Abbildungen und Spezifikationen, die mit diesem Gerät geliefert werden. Die Nichtbeachtung der unten aufgeführten Anweisungen kann zu Stromschlag, Feuer und/oder schweren Verletzungen führen.

Bewahren Sie alle Sicherheitshinweise und Anweisungen zur späteren Verwendung auf.

Der Begriff "Elektrowerkzeug" in den Sicherheitshinweisen bezieht sich auf Ihr netzbetriebenes (kabelgebundenes) Elektrowerkzeug oder akkubetriebenes (kabelloses) Elektrowerkzeug.

3 MONTAGE

3.1 MASCHINE AUSPACKEN

▲ WARNUNG

Vergewissern Sie sich, dass Sie die Maschine vor dem Gebrauch richtig montiert haben.

▲ WARNUNG

- Bei beschädigten Teilen dürfen Sie die Maschine nicht verwenden.
- Wenn Sie nicht alle Teile haben, dürfen Sie die Maschine nicht in Betrieb nehmen.
- Wenn Teile beschädigt sind oder fehlen, wenden Sie sich an die Servicestelle.

1. Öffnen Sie die Verpackung.
2. Lesen Sie die beiliegende Dokumentation.
3. Entnehmen Sie alle unmontierten Teile aus dem Karton.
4. Nehmen Sie die Maschine aus dem Karton.
5. Entsorgen Sie den Karton und die Verpackung gemäß den örtlichen Vorschriften.

3.2 ZUGABE VON SCHIENEN- UND KETTENSCHMIERMITTEL

Überprüfen Sie die Ölmenge in der Maschine. Wenn der Ölstand niedrig ist, fügen Sie Schienen- und Kettenschmiermittel wie folgt hinzu.

i WICHTIG

Verwenden Sie Schienen- und Kettenschmiermittel, das nur für Ketten und Kettenöl geeignet ist.

i HINWEIS

Die Maschine wird werkseitig ohne Schienen- und Kettenschmiermittel geliefert.

1. Lösen und entfernen Sie den Deckel des Öltanks.
2. Geben Sie das Öl in den Öltank.
3. Überwachen Sie die Ölanzeige während Sie das Öl nachfüllen, um sicherzustellen, dass sich kein Schmutz im Öltank befindet.
4. Öldeckel aufsetzen.
5. Drehen Sie den Öldeckel fest.
6. Ein vollständig gefüllter Öltank kann für einen 15-40 minütigen Einsatz genutzt werden.

i WICHTIG

Verwenden Sie kein verschmutztes, gebrauchtes oder kontaminiertes Öl. Dies kann zu Schäden an Schiene oder Kette führen.

3.3 FÜHRUNGSSCHIENE UND KETTE MONTIEREN

Abbildung 10-14.

1. Nehmen Sie den Akkupack aus der Maschine.
2. Entfernen Sie die Kettenabdeckungsmuttern mit dem Schraubenschlüssel.
3. Entfernen Sie die Kettenabdeckung.
4. Setzen Sie die Kettenantriebsglieder in die Nut der Schiene ein.
5. Setzen Sie die Kettenschneider in Richtung der Kettenschneidrichtung ein.
6. Legen Sie die Kette in Position und achten Sie darauf, dass sich die Schlaufe hinter der Führungsschiene befindet.
7. Halten Sie Kette und Schiene fest.
8. Legen Sie die Kettenschlaufe um das Kettenrad.
9. Vergewissern Sie sich, dass das Loch für den Kettenspannstift an der Führungsschiene korrekt mit dem Bolzen übereinstimmt.
10. Montieren Sie die Kettenabdeckung.
11. Ziehen Sie die Kette fest. Siehe *Einstellen der Kettenspannung*.
12. Ziehen Sie die Muttern fest, wenn die Kette gut gespannt ist.

i HINWEIS

Wenn Sie die Kettensäge mit einer neuen Kette starten, machen Sie einen Probelauf für 2-3 Minuten. Danach die Spannung nochmals prüfen und ggf. die Kette nachziehen.

3.4 VERWENDEN DES SCHULTERGURTS

Abbildung 4.

1. Befestigen Sie den Karabinerhaken am Tragering am Stab.
2. Legen Sie den Schultergurt an.
3. Stellen Sie die Länge des Gurts so ein, dass der Karabinerhaken etwa die Breite einer Hand unter der rechten Hüfte hat.

3.5 DIE LÄNGE DES TELESKOP-HOCHENTASTERS EINSTELLEN

Abbildung 3.

1. Lösen Sie den Kragen, indem Sie ihn gegen den Uhrzeigersinn drehen.
2. Ziehen Sie den Verlängerungsstab nach oben oder nach hinten, um die Länge des Teleskop-Hochentasters einzustellen.
3. Ziehen Sie den Kragen fest.

3.6 DEN KOPF DES TELESKOP-HOCHENTASTERS ANWINKELN

Der Kopf des Teleskop-Hochentasters kann auf zwei Winkel eingestellt werden: 0° oder 90°. Der Teleskop-Hochentaster kann somit vertikal oder horizontal schneiden.

Abbildung 6.

1. Lösen Sie die beiden Schrauben am Kopf der Teleskop-Hochentasters mit dem Schraubenschlüssel.
2. Drehen Sie den Kopf des Teleskop-Hochentasters um 90°, bis die Schrauben in die Schraublöcher des Stabes passen.
3. Ziehen Sie die Schrauben an.

3.7 SCHNITTVORBEREITUNG

Abbildung 4.

Bevor Sie mit dem Schneiden beginnen, stellen Sie Folgendes sicher:

- Tragen Sie strapazierfähige Handschuhe für maximalen Halt und Schutz.
- Achten Sie während des Betriebs auf einen sicheren Halt der Maschine.
 - Positionieren Sie Ihre rechte Hand am hinteren Griff, während Ihre linke Hand den Stabschaft hält.
 - Halten Sie Ihren Körper links von der Kettenachse.
 - Verwenden Sie niemals einen Linkshänder-Griff (Kreuzgriff) und nehmen Sie niemals eine Haltung ein, die Ihren Körper oder Arm über die Kettenachse legt.
- Stehen Sie niemals direkt unter dem Ast, den Sie schneiden.
- Überprüfen Sie regelmäßig die Festigkeit der Verbindung der Kragen während des Betriebs.

3.8 AKKUPACK EINSETZEN

Abbildung 5.

▲ WARNUNG

- Wenn der Akkupack oder das Ladegerät beschädigt ist, ersetzen Sie den Akkupack oder das Ladegerät.
- Stoppen Sie die Maschine und warten Sie, bis der Motor stoppt, bevor Sie den Akkupack einsetzen oder entnehmen.
- Lesen, verstehen und befolgen Sie die Anweisungen im Handbuch für Akkupack und Ladegerät.

1. Richten Sie die Hubrippen am Akkupack mit den Nuten im Akkufach aus.
2. Schieben Sie den Akkupack in das Akkufach, bis er einrastet.
3. Wenn Sie ein Klicken hören, ist der Akkupack eingesetzt.

3.9 AKKUPACK ENTFERNEN

Abbildung 5.

1. Drücken und halten Sie die Akkupack-Entriegelungstaste.
2. Nehmen Sie den Akkupack aus der Maschine.

4 BEDIENUNG

i HINWEIS

Entfernen Sie den Akkupack und halten Sie die Hände fern von der Sperrtaste, wenn Sie die Maschine bewegen.

i WICHTIG

Prüfen Sie die Kettenspannung vor jedem Einsatz.

4.1 ÜBERPRÜFUNG DER KETTENSCHMIERUNG

i HINWEIS

Verwenden Sie die Maschine nicht ohne ausreichende Kettenschmierung.

Abbildung 2.

1. Überprüfen Sie den Schmierstoffstand der Maschine von der Ölanzeige aus.
2. Fügen Sie mehr Schmierstoff hinzu, wenn es notwendig ist.

4.2 MASCHINE STARTEN

Abbildung 7.

1. Setzen Sie den Akkupack in die Maschine ein.
2. Drücken Sie die Sicherheitssperrtaste.
3. Ziehen Sie die kleine Sicherheitssperrtaste nach oben.
4. Drücken Sie den Auslöser.

4.3 MASCHINE ANHALTEN

Abbildung 7.

1. Lassen Sie den Auslöser los, um die Maschine anzuhalten.

4.4 EINEN BAUM ENTASTEN

Abbildung 8.

▲ WARNUNG

Achten Sie darauf, dass sich nichts oder niemand im Bereich befindet, in dem die Äste fallen.

- Stellen Sie sich gegenüber vom Ast, den Sie schneiden werden.
- Beginnen Sie damit, die höheren Äste zu schneiden.
- Dann schneiden Sie die unteren Äste ab.

- Schneiden Sie nach unten, um ein Verkanten des Schwerts zu verhindern.

4.5 ENTASTEN

Beim Entasten werden die Äste eines umgestürzten Baumes entfernt.

Abbildung 9.

1. Lassen Sie die größeren unteren Äste stehen, so dass der Stamm nicht auf dem Boden aufliegt.
2. Die kleinen Äste in einem Schnitt entfernen.
3. Unter Spannung stehende Äste von unten nach oben entasten.
4. Nutzen Sie die größeren unteren Äste als Stütze, bis der Stamm geschnitten wird.

5 WARTUNG UND INSTANDHALTUNG

▲ VORSICHT

Lassen Sie Bremsflüssigkeiten, Benzin und mineralölbasierte Materialien nicht mit den Kunststoffteilen in Berührung kommen. Chemikalien können den Kunststoff beschädigen und ihn unbrauchbar machen.

▲ VORSICHT

Verwenden Sie keine starken Lösungsmittel oder Reinigungsmittel auf dem Kunststoffgehäuse oder den Bauteilen.

▲ WARNUNG

Nehmen Sie den Akkupack vor der Wartung aus der Maschine.

5.1 EINSTELLEN DER KETTENSPIGUNG

Abbildung 10.13.14

▲ VORSICHT

Tragen Sie Schutzhandschuhe, wenn Sie die Kette, die Schiene oder Bereiche um die Kette herum berühren.

1. Lösen Sie die Kettenabdeckung, indem Sie die Kontermutter der Kettenabdeckung gegen den Uhrzeigersinn drehen.

i HINWEIS

Es ist nicht notwendig, die Kettenabdeckung zu entfernen, um die Kettenspannung einzustellen.

2. Drehen Sie die Stellschraube im Uhrzeigersinn, um die Kettenspannung zu erhöhen.
3. Drehen Sie die Stellschraube gegen den Uhrzeigersinn, um die Kettenspannung zu verringern.

4. Wenn die Kette die gewünschte Spannung erreicht hat, ziehen Sie die Kettenabdeckung an.

5.2 SCHÄRFEN DER KETTE

Schärfen Sie die Schneiden, wenn die Kette nur noch schwer in das Holz eindringt.

i HINWEIS

Wir empfehlen, dass Sie wichtige Schärftarbeiten durch Ihren Händler durchführen lassen, der über einen Elektroschärfer verfügt.

Abbildung 15-18.

1. Spannkette.
2. Schärfen Sie die Schneidenecken mit einer Rundfeile mit 4,5 mm Durchmesser.
3. Schärfen Sie die Deckplatte, die Seitenplatte und den Tiefenbegrenzer mit einer Flachfeile.
4. Feilen Sie alle Schneiden auf die vorgegebenen Winkel und die gleiche Länge.

i HINWEIS

Während des Vorgangs:

- Halten Sie die Feile flach auf der zu schärfenden Oberfläche.
- Verwenden Sie beim Feilen den mittleren Teil der Feilenfläche.
- Üben Sie leichten, aber beständigen Druck beim Schärfen der Oberfläche aus.
- Heben Sie die Feile bei jedem Rückhub ab.
- Schärfen Sie die Schneiden auf der einen Seite und fahren Sie dann mit der anderen Seite fort.

Ersetzen Sie die Kette wenn:

- Die Länge der Schneiden weniger als 5 mm beträgt.
- Zwischen den Antriebsgliedern und den Nieten zu viel Abstand ist.
- Die Schnittgeschwindigkeit langsam ist
- Selbst nach mehrfachem Schärfen der Kette keine Erhöhung der Schnittgeschwindigkeit erzielt werden kann. Die Kette ist verschlissen.

5.3 WARTUNG DER FÜHRUNGSSCHIENE

Abbildung 19-20.

i HINWEIS

Achten Sie darauf, dass die Schiene regelmäßig umgedreht wird, um einen symmetrischen Verschleiß zu erhalten.

1. Schmieren Sie das Lager des Umlenksterns (falls vorhanden) mit einer Spritze (nicht im Lieferumfang enthalten).

2. Reinigen Sie die Schienennut mit einem Schabhaken (nicht im Lieferumfang enthalten).
3. Schmierbohrungen reinigen.
4. Entgraten Sie die Kanten und feilen Sie die Schneiden mit einer Flachfeile eben.

Ersetzen Sie die Schiene, wenn:

- die Nut nicht mit der Höhe der Antriebsglieder (die niemals die Unterseite berühren dürfen) übereinstimmt.
- die Innenseite der Führungsschiene abgenutzt ist und die Kette deswegen zu einer Seite neigt.

6 TRANSPORT UND LAGERUNG

Bevor Sie die Maschine bewegen:

- Nehmen Sie den Akkupack aus der Maschine.
- Halten Sie die Hände fern von der Sperrtaste.
- Bringen Sie den Schwertschutz über Führungsschiene und Kette an.

Bevor Sie die Maschine einlagern:

- Entfernen Sie das restliche Öl aus der Maschine.
- Nehmen Sie den Akkupack aus der Maschine.
- Entfernen Sie unerwünschtes Material von der Maschine.
- Vergewissern Sie sich, dass der Lagerbereich
 - nicht zugänglich ist für Kinder.
 - Frei von korrosionsfördernden Mitteln wie Gartenchemikalien und Streusalzen ist.

7 FEHLERBEHEBUNG

Problem	Mögliche Ursache	Lösung
Die Maschine startet nicht.	Die Stäbe sind nicht richtig montiert.	Montieren Sie die Stäbe gemäß den Anweisungen.
	Die Sperrtaste und der Auslöser werden nicht gleichzeitig gedrückt.	<ol style="list-style-type: none"> 1. Drücken und halten Sie die Sperrtaste. 2. Drücken Sie den Auslöser während Sie die Sperrtaste gedrückt halten. 3. Lassen Sie die Sperrtaste los, um die Maschine zu starten.

Problem	Mögliche Ursache	Lösung
Das Schwert und die Kette werden heiß und rauchen.	Der Öltank ist leer.	Füllen Sie den Öltank.
	Der Auslaufstutzen ist blockiert.	<ol style="list-style-type: none"> Entfernen Sie den Akkupack. Entfernen Sie Schmutz aus dem Auslaufstutzen.
	Die Einlassöffnung des inneren Öltanks ist blockiert.	<ol style="list-style-type: none"> Öltank reinigen. Füllen Sie Schwert- und Kettenschmierstoff nach.
	Das Kettenrad ist verklebt und mit Ablagerungen verstopft.	<ol style="list-style-type: none"> Reinigen Sie das Kettenrad. Füllen Sie Schwert- und Kettenschmierstoff nach.
Das Schwert und die Kette werden zu heiß und die Kette schneidet nicht.	Die Kettenspannung ist zu fest oder zu locker.	Siehe Einstellen der Kettenspannung in diesem Handbuch.
	Die Kette ist stumpf.	Schärfen oder ersetzen Sie die Sägekette.
	Die Kette wurde falsch herum angelegt.	Nehmen Sie die Kette heraus und drehen Sie sie in die richtige Richtung.
Der Motor läuft, aber die Kette schneidet nicht richtig, oder der Motor stoppt nach ca. 3 Sekunden.	Wenn Sie die Maschine unter Last benutzen, stoppt sie.	<ol style="list-style-type: none"> Lassen Sie den Auslöser los. Starten Sie die Maschine erneut.
	Die Kette ist nicht geschmiert.	Schmieren Sie die Kette, um die Reibung zu verringern.

8 TECHNISCHE DATEN

Spannung	82 V DC
Leerlaufdrehzahl	20.5 m/s

Führungsschielenlänge	250 mm
Fassungsvermögen Kettenöl	150 ml
Gewicht (ohne Akkupack)	5.35 kg
Gemessener Schalldruckpegel	$L_{pA} = 83 \text{ dB(A)}$, $K_{pA} = 3 \text{ dB(A)}$
Garantierter Schalleistungspegel	$L_{wA,d} = 99 \text{ dB(A)}$
Vibration	$< 2.5 \text{ m/s}^2$, $K = 1,5 \text{ m/s}^2$
Kette	25AP058X
Führungsschiene	100SDAA041(509877)
Akkupack-Modell	82V180, 82V290P, 82V360, 82V580P und andere BAB-Baureihen
Ladegerät-Modell	82C6 und andere CAB-Baureihen
IPX	IPX4

9 EG-KONFORMITÄTSERKLÄRUNG

Name und Anschrift des Herstellers:

Name: GLOBGRO AB
 Globe Group Europe
 Adresse: Riggaregatan 53, 211 13 Malmö, Schweden

Name und Anschrift der Person, die zur Erstellung der technischen Unterlagen berechtigt ist:

Name: Micael Johansson
 Adresse: Riggaregatan 53, 211 13 Malmö, Schweden

Hiermit erklären wir, dass das Produkt

Kategorie: Teleskop-Hochentaster
 Modell: 82PST39(PSB402)
 Seriennummer: Siehe Produktetikett
 Baujahr: Siehe Produktetikett

- den einschlägigen Bestimmungen der Maschinenrichtlinie 2006/42/EG entspricht.
- den Bestimmungen der folgenden anderen EG-Richtlinien entspricht:
 - 2014/30/EU
 - 2000/14/EG & 2005/88/EG
 - 2011/65/EU & 2015/863/EU

Darüber hinaus erklären wir, dass die folgenden (Teile/
Klauseln von) europäischen harmonisierten Normen
verwendet wurden:

- EN 60745-1, EN ISO 11680-1, EN 55014-1, EN 55014-2,
EN ISO 3744, ISO 11094, IEC 62321-3-1, IEC 62321-4,
IEC 62321-5, IEC 62321-6, IEC 62321-7-1, IEC
62321-7-2, IEC 62321-8

Gemessener Schall- L_{WA}: 95.7 dB(A)
leistungspegel:

Garantierter Schall- L_{WA,d}: 99 dB(A)
leistungspegel:

Konformitätsbewertungsmethode nach Anhang V/ der
Richtlinie 2000/14/EG.

Die Nummer der EG-Baumusterprüfbescheinigung:
ausgegeben durch SGS Fimko Ltd (0598), Takomotie 8,
FI-00380 Helsinki, Finland.

Ort, Datum: Malmö, Unterschrift: Ted Qu, Qualitätsleiter
11.11.2021

Ted Qu

1 DESCRIPCIÓN

1.1 FINALIDAD

El producto está equipado con un accesorio de corte montado en un tubo para permitir al operario cortar las ramas de árboles en pie, pero no sirve para cortar madera como una motosierra normal.

Este aparato no debe ser utilizado por personas (niños incluidos) con capacidades de compresión reducidas, o que no tengan experiencia ni conocimientos, a menos que hayan recibido supervisión o instrucción sobre el uso del aparato por una persona responsable de su seguridad.

Supervise siempre a los niños para asegurarse de que no jueguen con el aparato.

1.2 PERSPECTIVA GENERAL

Figura 1-20.

1 Botón de desbloqueo	13 Tapa del depósito de aceite
2 Botón de desbloqueo pequeño	14 Indicador de aceite
3 Gatillo	15 Ranura de barra
4 Asa auxiliar	16 Cortador
5 Asa de sierra telescópica	17 Eslabones de accionamiento de cadena
6 Anillo de transporte	18 Piñón
7 Manguito de rosca	19 Orificio de pasador de tensión de cadena
8 Tubo de extensión	20 Contratuerca de cubierta de cadena
9 Cabezal de sierra telescópica	21 Tornillo de tensado de cadena
10 Cubierta de cadena	
11 Barra de guía	
12 Cadena de sierra	

2 ADVERTENCIAS GENERALES DE SEGURIDAD

▲ AVISO

Lea todas las advertencias de seguridad, instrucciones, ilustraciones y especificaciones que se proporcionan con esta máquina. El incumplimiento de las instrucciones indicadas a continuación puede provocar descargas eléctricas, incendios o lesiones graves.

Guarde todas las advertencias e instrucciones para su consulta posterior.

El término "herramienta eléctrica" empleado en las advertencias se refiere a su herramienta eléctrica con funcionamiento de red (con cable) o herramienta eléctrica con funcionamiento a batería (inalámblica).

3 INSTALACIÓN

3.1 DESEMBALAJE DE LA MÁQUINA

▲ AVISO

Asegúrese de montar correctamente la máquina antes del uso.

▲ AVISO

- Si las piezas presentan daños, no utilice la máquina.
- Si no tiene todas las piezas, no utilice la máquina.
- Si faltan piezas o hay piezas dañadas, hable con el centro de servicio.

1. Abra el embalaje.
2. Lea la documentación que se encuentra en la caja.
3. Retire todas las piezas sin montar de la caja.
4. Retire la máquina de la caja.
5. Deseche la caja y el embalaje de conformidad con los reglamentos locales.

3.2 ADICIÓN DEL LUBRICANTE DE LA BARRA Y LA CADENA

Examine la cantidad de aceite que hay en la máquina. Si el nivel de aceite es bajo, añada el lubricante para la barra y la cadena de la siguiente manera.

i IMPORTANTE

Utilice un lubricante para barras y cadenas que sea solo para cadenas y engrasadores de cadenas.

i NOTA

La máquina viene de fábrica sin lubricante para barras y cadenas.

1. Afloje y retire la tapa del depósito de aceite.
2. Ponga el aceite en el depósito de aceite.
3. Supervise el indicador de aceite para asegurarse de que no penetre suciedad en el depósito mientras añade el aceite.
4. Ponga la tapa del aceite.
5. Apriete la tapa del aceite.
6. Un depósito de aceite totalmente lleno durará un tiempo de funcionamiento de 15 - 40 minutos.

i IMPORTANTE

No utilice aceite sucio, usado o contaminado. Pueden producirse daños en la barra o la cadena.

3.3 MONTAJE DE LA BARRA DE GUÍA Y LA CADENA

Figura 10-14.

1. Retire la batería de la máquina.

2. Retire las tuercas de la cubierta de la cadena con la llave.
3. Retire la cubierta de la cadena.
4. Introduzca los eslabones de accionamiento de la cadena en la ranura de la barra.
5. Ponga los cortadores de la cadena en la dirección de funcionamiento de la cadena.
6. Coloque la cadena en su posición y asegúrese de que el bucle esté detrás de la barra de guía.
7. Sujete la cadena y la barra.
8. Ponga el bucle de cadena alrededor del piñón.
9. Asegúrese de que el orificio del pasador de tensado de la cadena en la barra de guía encaje correctamente con el perno.
10. Instale la cubierta de la cadena.
11. Apriete la cadena. Consulte *Ajuste de la tensión de la cadena*.
12. Apriete las tuercas cuando la cadena esté bien tensada.

¡ NOTA

Si arranca la motosierra con una cadena nueva, haga una prueba de 2-3 minutos. Posteriormente, vuelva a examinar la tensión y apriete la cadena en caso necesario.

3.4 UTILIZACIÓN DE LA CORREA DE HOMBRO

Figura 4.

1. Fije el mosquetón al anillo de transporte en el tubo.
2. Póngase la correa de hombro.
3. Ajuste la longitud de la correa para que el mosquetón tenga aproximadamente la anchura de una mano debajo de su cadera derecha.

3.5 AJUSTE DE LA LONGITUD DE LA SIERRA TELESCÓPICA

Figura 3.

1. Afloje el collarín girándolo en sentido antihorario.
2. Tire del tubo de extensión hacia arriba o abajo para ajustar la longitud de la sierra telescópica.
3. Apriete el collarín.

3.6 AJUSTE DEL ÁNGULO DEL CABEZAL DE LA SIERRA TELESCÓPICA

El cabezal de la sierra telescópica tiene dos ángulos: 0° ó 90°, la sierra telescópica puede cortar en vertical o en horizontal.

Figura 6.

1. Afloje los dos tornillos del cabezal de la sierra telescópica con la llave.

2. Gire el cabezal de la sierra telescópica 90° hasta que los tornillos encajen en los orificios de tornillo del poste.
3. Apriete los tornillos.

3.7 PREPARATIVOS DE CORTE

Figura 4.

Antes de empezar a cortar, asegúrese de que

- Lleve guantes resistentes para un agarre y una protección máximos.
- Mantiene un agarre adecuado en la máquina durante el funcionamiento.
 - Agarre el asa posterior con la mano derecha, mientras que con la izquierda sujete el eje del tubo.
 - Mantenga su cuerpo a la izquierda de la línea de la cadena.
 - Nunca utilice la mano izquierda (cruzada) o cualquier postura que coloque su cuerpo o brazo a través de la línea de la cadena.
- Nunca se coloca directamente debajo de la rama que está cortando.
- Examina periódicamente el apriete de los collarines durante el funcionamiento.

3.8 INSTALACIÓN DE LA BATERÍA

Figura 5.

▲ AVISO

- Si la batería o el cargador ha sufrido daños, sustituya la batería o el cargador.
- Detenga la máquina y espere hasta que el motor se pare antes de instalar o retirar la batería.
- Debe leer, entender y seguir las instrucciones del manual de la batería y el cargador.

1. Alinee las nervaduras de elevación de la batería con las ranuras del compartimento de la batería.
2. Introduzca la batería en el compartimento de la batería hasta que encaje en su posición.
3. Cuando escuche un clic, la batería está instalada.

3.9 RETIRADA DE LA BATERÍA

Figura 5.

1. Pulse y mantenga pulsado el botón de desbloqueo de la batería.
2. Retire la batería de la máquina.

4 FUNCIONAMIENTO

¡ NOTA

Retire la batería y mantenga las manos alejadas del botón de desbloqueo cuando mueva la máquina.

i IMPORTANTE

Examine la tensión de la cadena antes de cada uso.

4.1 EXAMEN DE LA LUBRICACIÓN DE LA CADENA**i NOTA**

No utilice la máquina si la cadena no está suficientemente lubricada.

Figura 2.

1. Examine el nivel de lubricante de la máquina en el indicador de aceite.
2. Añada más lubricante en caso necesario.

4.2 PUESTA EN MARCHA DE LA MÁQUINA

Figura 7.

1. Instale la batería en la máquina.
2. Pulse el botón de bloqueo de seguridad.
3. Tire del botón pequeño de bloqueo de seguridad hacia arriba.
4. Apriete el gatillo.

4.3 DETENCIÓN DE LA MÁQUINA

Figura 7.

1. Suelte el gatillo para detener la máquina.

4.4 CORTE DE RAMAS DE UN ÁRBOL

Figura 8.

▲ AVISO

Asegúrese de que no haya nada ni nadie en la zona donde caen las ramas.

- Colóquese enfrente de la rama que va a cortar.
- Empiece a cortar las ramas más altas.
- Posteriormente, corte las ramas más bajas.
- Corte hacia abajo para evitar que la barra se atasque.

4.5 DESRAMADO DE UN ÁRBOL

Desramar es quitar las ramas de un árbol caído.

Figura 9.

1. Conserve las ramas inferiores más grandes para mantener el tronco levantado del suelo.
2. Retire las ramas pequeñas de un corte.
3. Corte las ramas con tensión de abajo hacia arriba.
4. Conserve las ramas inferiores más grandes como soporte hasta que haya desramado el resto del tronco.

5 MANTENIMIENTO**▲ PRECAUCIÓN**

No permita que líquidos de frenos, gasolina y otros derivados del petróleo toquen las piezas de plástico. Las sustancias químicas pueden dañar el plástico y hacer que quede inservible.

▲ PRECAUCIÓN

No utilice disolventes o detergentes fuertes en la carcasa o los componentes de plástico.

▲ AVISO

Retire la batería de la máquina antes de realizar tareas de mantenimiento.

5.1 AJUSTE DE LA TENSIÓN DE LA CADENA

Figura 10.13.14

▲ PRECAUCIÓN

Lleve guantes de protección si toca la cadena, la barra o las zonas alrededor de la cadena.

1. Afloje la cubierta de la cadena girando la contratuerca de la cubierta de la cadena en sentido antihorario.

i NOTA

No es necesario retirar la cubierta de la cadena para ajustar la tensión de la cadena.

2. Gire el tornillo de ajuste de la cadena en sentido horario para aumentar la tensión de la cadena.
3. Gire el tornillo de ajuste de la cadena en sentido antihorario para disminuir la tensión de la cadena.
4. Cuando la cadena tenga la tensión deseada, apriete la cubierta de la cadena.

5.2 AFILADO DE LOS CORTADORES

Afile los cortadores si la cadena no penetra fácilmente en la madera.

i NOTA

Recomendamos que un distribuidor, que tenga un afilador eléctrico, realice los trabajos importantes de afilado.

Figura 15-18.

1. Cadena tensora.
2. Afile la esquina de los cortadores con una lima redonda de 4,5 mm de diámetro.
3. Afile la placa superior, la placa lateral y el calibrador de profundidad con una lima plana.

4. Afile todos los cortadores a los ángulos especificados y a la misma longitud.

i NOTA

Durante el proceso,

- Mantenga la lima plana con la superficie que va a afilar.
- Utilice el punto medio de la barra de afilado.
- Emplee una presión ligera pero firme al afilar la superficie.
- Levante la lima en cada recorrido de retorno.
- Afile los cortadores en un lado y posteriormente pase al otro lado.

Sustituya la cadena si:

- La longitud de los filos de corte es inferior a 5 mm.
- Hay demasiado espacio entre los eslabones de accionamiento y los remaches.
- La velocidad de corte es lenta
- Se ha afilado la cadena muchas veces, pero no aumenta la velocidad de corte. La cadena está desgastada.

5.3 MANTENIMIENTO DE LA BARRA DE GUÍA

Figura 19-20.

i NOTA

Asegúrese de que se gire periódicamente para mantener el desgaste simétrico en la barra.

1. Lubrique los rodamientos en el piñón de la punta (si está presente) con la jeringa (no incluida).
2. Limpie la ranura de la barra con el gancho de rascado (no incluido).
3. Limpie los orificios de lubricación.
4. Elimine las rebabas de los bordes y nivele las cuchillas con una lima plana.

Sustituya la barra si:

- la ranura no se ajusta a la altura de los eslabones de accionamiento (que nunca deben tocar la parte inferior).
- el interior de la barra de guía está desgastado y hace que la cadena se incline hacia un lado.

6 TRANSPORTE Y ALMACENAMIENTO

Antes de mover la máquina, siempre

- Retire la batería de la máquina.
- Mantenga las manos alejadas del botón de desbloqueo.
- Coloque la vaina en la barra de guía y la cadena.

Antes de almacenar la máquina, siempre

- Retire todo el aceite residual de la máquina.
- Retire la batería de la máquina.

- Limpie todo el material no deseado de la máquina.
- Asegúrese de que la zona de almacenamiento esté
 - No disponible a los niños.
 - Lejos de productos que puedan producir corrosión, como sustancias químicas para jardín y sales para descongelación.

7 SOLUCIÓN DE PROBLEMAS

Problema	Posible causa	Solución
La máquina no se pone en marcha.	Los tubos no se han montado correctamente.	Monte los tubos según las instrucciones.
	El botón de desbloqueo y el gatillo no se presionan al mismo tiempo.	<ol style="list-style-type: none"> 1. Pulse y mantenga pulsado el botón de desbloqueo 2. Mientras mantiene pulsado el botón de bloqueo, apriete el gatillo. 3. Suelte el botón de desbloqueo para poner en marcha la máquina.
La barra y la cadena se calientan y echan humo.	El depósito de aceite está vacío.	Llene el depósito de aceite.
	El orificio de descarga está bloqueado.	<ol style="list-style-type: none"> 1. Retire la batería. 2. Elimine la suciedad del orificio de descarga.
	La abertura de entrada del depósito de aceite interior está bloqueada.	<ol style="list-style-type: none"> 1. Limpie el depósito de aceite. 2. Llene de lubricante limpio para barras y cadenas.
	El piñón está atascado y obstruido con residuos.	<ol style="list-style-type: none"> 1. Limpie el piñón. 2. Llene de lubricante limpio para barras y cadenas.

Problema	Posible causa	Solución
La barra y la cadena se calientan demasiado y no pueden cortar.	La tensión de la cadena está demasiado tensa o demasiado floja.	Consulte Ajuste de la tensión de la cadena en el manual.
	La cadena está desafilada	Afile o sustituya la cadena.
	La cadena se ha puesto al revés.	Saque la cadena y gírela en la dirección adecuada.
El motor funciona, pero la cadena no corta correctamente, o el motor se detiene después de unos 3 segundos.	Cuando utiliza la máquina bajo carga, se detiene.	<ol style="list-style-type: none"> Suelte el gatillo. Vuelva a poner en marcha la máquina.
	La cadena no está lubricada.	Lubrique la cadena para disminuir la fricción.

8 DATOS TÉCNICOS

Tensión	82 V DC
Velocidad sin carga	20.5 m/s
Longitud de barra de guía	250 mm
Capacidad de aceite para cadena	150 ml
Peso (sin batería)	5.35 kg
Nivel de presión acústica medida	$L_{pA} = 83 \text{ dB(A)}$, $K_{pA} = 3 \text{ dB(A)}$
Nivel de potencia acústica garantizada	$L_{wA,d} = 99 \text{ dB(A)}$
Vibración	$< 2.5 \text{ m/s}^2$, $K = 1,5 \text{ m/s}^2$
Cadena	25AP058X
Barra de guía	100SDAA041(509877)
Modelo de batería	82V180, 82V290P, 82V360, 82V580P y otras series BAB
Modelo de cargador	82C6 y otras series CAB
IPX	IPX4

9 DECLARACIÓN DE CONFORMIDAD CE

Nombre y dirección del fabricante:

Nombre: GLOBGRO AB

Globe Group Europe

Dirección: Riggaregatan 53, 211 13 Malmö, Suecia

Nombre y dirección de la persona autorizada para compilar el archivo técnico:

Nombre: Micael Johansson

Dirección: Riggaregatan 53, 211 13 Malmö, Suecia

Por la presente declaramos que el producto

Categoría: Sierra telescópica

Modelo: 82PST39(PSB402)

Número de serie: Véase la etiqueta de clasificación del producto

Año de construcción: Véase la etiqueta de clasificación del producto

- es conforme con las disposiciones pertinentes de la Directiva relativa a las máquinas: 2006/42/CE.
- es conforme con las disposiciones de las siguientes Directivas CE:
 - 2014/30/UE
 - 2000/14/CE y 2005/88/CE
 - 2011/65/UE & 2015/863/UE

Adicionalmente, declaramos que se han utilizado las siguientes (partes/cláusulas de) las normas europeas armonizadas:

- EN 60745-1, EN ISO 11680-1, EN 55014-1, EN 55014-2, EN ISO 3744, ISO 11094, IEC 62321-3-1, IEC 62321-4, IEC 62321-5, IEC 62321-6, IEC 62321-7-1, IEC 62321-7-2, IEC 62321-8

Nivel de potencia acústica medida: $L_{wA} = 95.7 \text{ dB(A)}$

Nivel de potencia acústica garantizada: $L_{wA,d} = 99 \text{ dB(A)}$

Método de evaluación de conformidad según el anexo V / Directiva 2000/14/CE.

El número de certificado de examen tipo CE: emitido por SGS Fimko Ltd (0598), Takomotie 8, FI-00380 Helsinki, Finland.

Lugar, fecha: Malmö, Firma: Ted Qu, Director de calidad 11.11.2021

Ted Qu

1	Descrizione.....	23	4	Funzionamento.....	25
1.1	Destinazione d'uso.....	23	4.1	Controllo della lubrificazione della catena.....	25
1.2	Panoramica.....	23	4.2	Avvio dell'apparecchio.....	25
2	Avvertenze di sicurezza comuni	23	4.3	Arresto dell'apparecchio.....	25
3	Installazione.....	23	4.4	Rimozione di rami.....	25
3.1	Disimballaggio dell'apparecchio.....	23	4.5	Diramatura di un albero.....	25
3.2	Aggiunta del lubrificante per barra e catena.....	23	5	Manutenzione.....	25
3.3	Assemblaggio della barra guida e della catena.....	24	5.1	Regolazione della tensione della catena.....	25
3.4	Utilizzo della tracolla.....	24	5.2	Affilatura dei taglienti.....	26
3.5	Regolazione della lunghezza del potatore.....	24	5.3	Manutenzione della barra guida.....	26
3.6	Regolazione dell'angolazione della testa del potatore.....	24	6	Trasporto e conservazione.....	26
3.7	Preparazione al taglio.....	24	7	Risoluzione dei problemi.....	26
3.8	Installazione del gruppo batteria.....	24	8	Specifiche tecniche.....	27
3.9	Rimozione del gruppo batteria.....	25	9	Dichiarazione di conformità CE....	27

1 DESCRIZIONE

1.1 DESTINAZIONE D'USO

Questo prodotto è dotato di un accessorio di taglio installato su un'asta per permettere all'operatore di tagliare i rami di alberi non abbattuti; non è progettato per tagliare legno come una normale sega a catena.

Questo apparecchio non deve essere usato da persone (bambini inclusi) con ridotte capacità fisiche, mentali o sensoriali o senza esperienza e conoscenza, a meno che non siano sorvegliate o siano state istruite sull'uso dell'apparecchio da una persona responsabile della loro sicurezza.

Supervisionare i bambini per assicurarsi che non giochino con l'apparecchio.

1.2 PANORAMICA

Figure 1-20.

- | | |
|-----------------------------------|--|
| 1 Pulsante di sbloccaggio | 13 Tappo del serbatoio dell'olio |
| 2 Pulsante di sbloccaggio piccolo | 14 Indicatore del livello dell'olio |
| 3 Interruttore a grilletto | 15 Scanalatura della barra |
| 4 Impugnatura ausiliaria | 16 Tagliante |
| 5 Impugnatura del patate | 17 Maglie di trascinamento |
| 6 Anello di trasporto | 18 Pignone |
| 7 Attacco a vite | 19 Foro di tensione della catena |
| 8 Asta telescopica | 20 Dado di bloccaggio della copertura della catena |
| 9 Testa del patate | 21 Vite tendicatena |
| 10 Copertura della catena | |
| 11 Barra guida | |
| 12 Catena | |

2 AVVERTENZE DI SICUREZZA COMUNI

▲ AVVERTIMENTO

Consultare tutte le avvertenze di sicurezza, le istruzioni, le illustrazioni e le specifiche fornite insieme a questo dispositivo. Il mancato rispetto delle istruzioni sotto riportate comporta il rischio di scossa elettrica, incendio e/o gravi infortuni.

Conservare tutte le avvertenze e le istruzioni per futuro riferimento.

Il termine "utensile elettrico" utilizzato nelle avvertenze indica un utensile elettrico alimentato tramite rete elettrica (con cavo) o batterie (senza cavo).

3 INSTALLAZIONE

3.1 DISIMBALLAGGIO DELL'APPARECCHIO

▲ AVVERTIMENTO

Assicurarsi di assemblare correttamente l'apparecchio prima dell'uso.

▲ AVVERTIMENTO

- Se uno o più componenti sono danneggiati, non usare l'apparecchio.
- Se uno o più componenti sono mancanti, non usare l'apparecchio.
- In caso di componenti danneggiati o mancanti, contattare il centro di assistenza.

1. Aprire l'imballaggio.
2. Leggere i documenti contenuti nell'imballaggio.
3. Estrarre gli accessori dall'imballaggio.
4. Estrarre l'apparecchio dall'imballaggio.
5. Smaltire l'imballaggio conformemente alle normative locali.

3.2 AGGIUNTA DEL LUBRIFICANTE PER BARRA E CATENA

Controllare la quantità di olio nell'apparecchio. Se il livello dell'olio è basso, aggiungere del lubrificante per barra e catena come descritto di seguito.

i IMPORTANTE

Usare esclusivamente lubrificanti per barra e catena specifici per oliatori di barra e catena.

i NOTA

L'apparecchio è consegnato privo di lubrificante per barra e catena.

1. Svitare e rimuovere il tappo del serbatoio dell'olio.
2. Versare l'olio nel serbatoio dell'olio.
3. Monitorare l'indicatore dell'olio per assicurarsi che durante l'aggiunta dell'olio non penetri sporcizia all'interno del serbatoio dell'olio.
4. Riposizionare il tappo del serbatoio.
5. Serrare il tappo del serbatoio.
6. Un serbatoio dell'olio completamente pieno garantisce 15-40 minuti di autonomia.

i IMPORTANTE

Non usare oli sporchi, usati o contaminati in altro modo per evitare danni alla barra o alla catena.

3.3 ASSEMBLAGGIO DELLA BARRA GUIDA E DELLA CATENA

Figure 10-14.

1. Rimuovere il gruppo batteria dall'apparecchio.
2. Rimuovere i dadi della copertura della catena con la chiave.
3. Rimuovere la copertura della catena.
4. Posizionare le maglie di trascinamento nella scanalatura della barra.
5. Orientare i taglienti nella direzione di rotazione della catena.
6. Posizionare la catena e assicurarsi che l'anello si trovi dietro la barra guida.
7. Tenere la barra catena.
8. Posizionare l'anello della catena intorno al pignone.
9. Assicurarsi che il foro di tensione della catena sulla barra guida sia allineato con il bullone.
10. Installare la copertura della catena.
11. Tenere la catena. Consultare la sezione *Regolare la tensione della catena*.
12. Dopo aver regolato correttamente la tensione della catena, serrare i dadi.

i NOTA

Dopo aver installato una nuova catena, effettuare un test azionando la sega a catena per 2-3 minuti. Quindi controllare nuovamente la tensione della catena e regolarla se necessario.

3.4 UTILIZZO DELLA TRACOLLA

Figure 4.

1. Fissare il moschettoni all'anello di trasporto sull'asta.
2. Indossare la tracolla.
3. Regolare la lunghezza della tracolla affinché il moschettoni si trovi al di sotto del proprio fianco destro, a circa una mano di distanza.

3.5 REGOLAZIONE DELLA LUNGHEZZA DEL POTATORE

Figure 3.

1. Allentare la ghiera ruotandola in senso antiorario.
2. Tirare l'asta telescopica verso l'alto o verso il basso per regolare la lunghezza del potatore.
3. Serrare la ghiera.

3.6 REGOLAZIONE DELL'ANGOLAZIONE DELLA TESTA DEL POTATORE

La testa del potatore può essere posizionata a 0° o a 90°; il potatore può tagliare in verticale o in orizzontale.

Figure 6.

1. Allentare le due viti sulla testa del potatore con l'apposita chiave.
2. Ruotare la testa del potatore di 90°, finché la vite non entra negli appositi fori sull'asta.
3. Serrare le viti.

3.7 PREPARAZIONE AL TAGLIO

Figure 4.

Prima di iniziare il taglio, assicurarsi di:

- indossare guanti antiscivolo per la massima aderenza e protezione;
- mantenere una distanza di sicurezza dal tagliaerba durante l'uso;
- afferrare saldamente l'impugnatura posteriore con la mano destra, e afferrare saldamente l'asta con la mano sinistra;
- mantenere il proprio corpo a sinistra della linea della catena;
- non usare mai una presa mancina (a mani invertite) e non assumere mai posizioni in cui il corpo o il braccio si trovano oltre la linea della catena;
- non posizionarsi direttamente sotto il ramo da tagliare;
- verificare periodicamente che le ghiera siano serrate saldamente durante l'uso.

3.8 INSTALLAZIONE DEL GRUPPO BATTERIA

Figure 5.

▲ AVVERTIMENTO

- Se il gruppo batteria o il caricabatteria sono danneggiati, sostituirli.
- Arrestare l'apparecchio e attendere che il motore si arresti prima di installare o rimuovere il gruppo batteria.
- Leggere, comprendere e rispettare le istruzioni riportate nel manuale della batteria e del caricabatteria.

1. Allineare le sporgenze sul gruppo batteria con le scanalature sul vano batteria.
2. Fare scorrere la batteria nel vano batteria finché non si blocca in posizione.
3. Deve emettere un "clic".

3.9 RIMOZIONE DEL GRUPPO BATTERIA

Figura 5.

1. Tenere premuto il pulsante di rilascio della batteria.
2. Rimuovere il gruppo batteria dall'apparecchio.

4 FUNZIONAMENTO

i NOTA

Rimuovere il gruppo batteria e tenere le mani lontane dal pulsante di sbloccaggio durante lo spostamento dell'apparecchio.

i IMPORTANTE

Controllare la tensione della catena prima di ogni utilizzo.

4.1 CONTROLLO DELLA LUBRIFICAZIONE DELLA CATENA

i NOTA

Non usare l'apparecchio senza una quantità sufficiente di lubrificante per catena.

Figura 2.

1. Controllare la quantità di lubrificante attraverso l'indicatore del livello dell'olio.
2. Aggiungere altro lubrificante se necessario.

4.2 AVVIO DELL'APPARECCHIO

Figura 7.

1. Installare il gruppo batteria sull'apparecchio.
2. Premere il pulsante di sicurezza.
3. Spostare il pulsante di sicurezza piccolo verso l'alto.
4. Premere l'interruttore a leva.

4.3 ARRESTO DELL'APPARECCHIO

Figura 7.

1. Rilasciare l'interruttore a leva per arrestare l'apparecchio.

4.4 RIMOZIONE DI RAMI

Figura 8.

▲ AVVERTIMENTO

Assicurarsi che non siano presenti persone o oggetti nell'area di caduta dei rami.

- Posizionarsi di fronte al ramo da tagliare.
- Iniziare a tagliare i rami più in alto.
- Quindi tagliare i rami più in basso.

- Tagliare verso il basso per evitare l'inceppamento della barra.

4.5 DIRAMATURA DI UN ALBERO

La diramatura è il taglio dei rami di un albero abbattuto.

Figura 9.

1. Lasciare i rami inferiori più grandi affinché mantengano il tronco sollevato dal terreno.
2. Rimuovere i rami piccoli con un solo taglio.
3. Tagliare i rami in tensione dal basso verso l'alto.
4. Mantenere i rami inferiori più grandi come supporto finché tutto il tronco non viene diramato.

5 MANUTENZIONE

▲ AVVERTENZA

Evitare che le parti in plastica entrino a contatto con olio dei freni, benzina e materiali a base di petrolio. Gli agenti chimici possono danneggiare la plastica e renderla inservibile.

▲ AVVERTENZA

Non usare detersivi o solventi aggressivi sulle parti in plastica.

▲ AVVERTIMENTO

Rimuovere il gruppo batteria dall'apparecchio prima di sottoporlo a manutenzione.

5.1 REGOLAZIONE DELLA TENSIONE DELLA CATENA

Figura 10.13.14

▲ AVVERTENZA

Indossare guanti di protezione prima di toccare la catena, la barra o le aree intorno alla catena.

1. Allentare la copertura della catena ruotando il dado di bloccaggio della copertura della catena in senso antiorario.

i NOTA

Non è necessario rimuovere la copertura della catena per regolare la tensione della catena.

2. Ruotare le vite di tensione della catena in senso orario per aumentare la tensione della catena.
3. Ruotare le vite di tensione della catena in senso antiorario per diminuire la tensione della catena.
4. Quando la tensione della catena è corretta, serrare la copertura della catena.

5.2 AFFILATURA DEI TAGLIENTI

È necessario affilare i taglienti quando la catena fa fatica a penetrare nel legno.

i NOTA

Si raccomanda di affidare questa operazione a un centro di assistenza dotato di apposite macchine affilatrici.

Figure 15-18..

1. Tendere la catena.
2. Affilare gli angoli dei taglienti con una lima rotonda da 4 mm (5/32 pollici) di diametro.
3. Affilare la piastra superiore, la piastra laterale e il limitatore di profondità con una lima piatta.
4. Affilate tutti i taglienti agli angoli specificati e alla stessa lunghezza.

i NOTA

Durante il processo,

- mantenere la lima parallela alla superficie da affilare;
- usare la parte centrale della lima;
- usare una pressione leggera ma decisa;
- sollevare la lima durante la corsa di ritorno;
- affilare i taglienti da un lato, quindi passare all'altro lato.

Sostituire la catena se:

- la lunghezza dei taglienti è inferiore a 5 mm;
- tra le maglie di trascinamento e i rivetti è presente troppo spazio;
- la velocità di taglio è bassa;
- la velocità di taglio non aumenta nonostante le frequenti affilature; la catena è usurata.

5.3 MANUTENZIONE DELLA BARRA GUIDA

Figure 19-20.

i NOTA

Assicurarsi di capovolgere periodicamente la barra guida affinché l'usura sia simmetrica.

1. Lubrificare i cuscinetti sul naso del pignone (se presenti) con una siringa (non inclusa).
2. Pulire la scanalatura della barra con un apposito raschietto (non incluso).
3. Pulire i fori di lubrificazione.
4. Rimuovere le sbavature dai bordi e livellare i taglienti con una lima piatta.

Sostituire la barra se:

- la scanalatura non è adatta all'altezza delle maglie di trascinamento (che non devono mai toccare il fondo);

- l'interno della barra guida è usurata e costringe la catena a inclinarsi da un lato.

6 TRASPORTO E CONSERVAZIONE

Prima di spostare l'apparecchio,

- rimuovere il gruppo batteria dall'apparecchio;
- tenere le mani distanti dal pulsante di sbloccaggio;
- posizionare il coprilama sulla barra guida e sulla catena.

Prima di riporre l'apparecchio,

- Rimuovere tutto l'olio residuo dall'apparecchio;
- rimuovere il gruppo batteria dall'apparecchio;
- rimuovere tutti i materiali estranei dall'apparecchio;
- assicurarsi che l'area di stoccaggio sia:
 - inaccessibile ai bambini;
 - priva di agenti corrosivi, ad esempio sostanze chimiche per il giardinaggio e sale per disgelo.

7 RISOLUZIONE DEI PROBLEMI

Problema	Possibile causa	Soluzione
L'apparecchio non si avvia.	Le aste non sono posizionate correttamente.	Assemblare le aste conformemente alle istruzioni.
	Il pulsante di sbloccaggio e l'interruttore a leva non sono stati premuti contemporaneamente.	<ol style="list-style-type: none"> 1. Tenere premuto il pulsante di sbloccaggio. 2. Tenendo premuto il pulsante di sbloccaggio, premere l'interruttore a leva. 3. Rilasciare il pulsante di sbloccaggio per avviare l'apparecchio.

Problema	Possibile causa	Soluzione
La barra guida e la catena diventano calde ed emettono fumo.	Il serbatoio dell'olio è vuoto.	Riempire del serbatoio dell'olio
	La porta di scarico è ostruita.	<ol style="list-style-type: none"> 1. Rimuovere il gruppo batteria. 2. Eliminare la sporcizia dalla porta di scarico.
	L'apertura di ingresso del serbatoio dell'olio è bloccata.	<ol style="list-style-type: none"> 1. Pulire il serbatoio dell'olio. 2. Rabboccare il lubrificante di barra e catena.
	Il pignone è incastro e ostruito da detriti.	<ol style="list-style-type: none"> 1. Pulire il pignone. 2. Rabboccare il lubrificante di barra e catena.
La barra guida e la catena diventano calde e non tagliano correttamente.	La catena è troppo tesa o allentata.	Consultare la sezione "Regolazione della tensione della catena" in questo manuale.
	La catena è smussata.	Affilare o sostituire la catena.
	La catena è installata al contrario.	Rimuovere la catena e installarla nella direzione corretta.
Il motore funziona, ma la catena non taglia correttamente, o il motore si arresta dopo circa 3 secondi.	Durante l'uso dell'apparecchio sotto carico, si arresta.	<ol style="list-style-type: none"> 1. rilasciare l'interruttore a leva; 2. Riavviare l'apparecchio.
	La catena non è lubrificata.	Lubrificare la catena per ridurre la frizione.

8 SPECIFICHE TECNICHE

Tensione	82 V DC
Velocità a vuoto	20.5 m/s
Lunghezza barra guida	250 mm
Capacità serbatoio dell'olio	150 ml
Peso (senza gruppo batteria)	5.35 kg
Livello di pressione sonora misurato	$L_{pA} = 83$ dB(A), $K_{pA} = 3$ dB(A)

Livello di potenza sonora garantito	$L_{WA,d} = 99$ dB(A)
Vibrazioni	< 2.5 m/s ² , $K = 1,5$ m/s ²
Catena	25AP058X
Barra guida	100SDAA041(509877)
Modello batteria	82V180, 82V290P, 82V360, 82V580P e altre serie BAB
Modello caricabatteria	82C6 e altre serie CAB
IPX	IPX4

9 DICHIARAZIONE DI CONFORMITÀ CE

Nome e indirizzo del fabbricante

Nome: GLOBGRO AB
Globe Group Europe
Indirizzo: Riggaregatan 53, 211 13 Malmö, Svezia

Nome e indirizzo della persona autorizzata a compilare il fascicolo tecnico

Nome: Micael Johansson
Indirizzo: Riggaregatan 53, 211 13 Malmö, Svezia

Con la presente si dichiara che il prodotto

Categoria: Potatore
Modello: 82PST39(PSB402)
Numero di serie: consultare la targa del prodotto
Anno di fabbricazione: consultare la targa del prodotto

- è conforme ai requisiti della direttiva Macchine 2006/42/EC;
- è conforme ai requisiti delle seguenti direttive europee:
 - 2014/30/EU
 - 2000/14/EC e 2005/88/EC
 - 2011/65/EU e (EU)2015/863

Inoltre, si dichiara di aver utilizzato i seguenti (parti/clausole degli) standard armonizzati europei:

- EN 60745-1, EN ISO 11680-1, EN 55014-1, EN 55014-2, EN ISO 3744, ISO 11094, IEC 62321-3-1, IEC 62321-4, IEC 62321-5, IEC 62321-6, IEC 62321-7-1, IEC 62321-7-2, IEC 62321-8

Livello di potenza sonora misurato: L_{WA} : 95.7 dB(A)

Livello di potenza sonora garantito: $L_{WA,d}$: 99 dB(A)

Metodo di valutazione della conformità conforme all'allegato V della direttiva 2000/14/EC.

Numero dell'attestato di certificazione CE: rilasciato da SGS Fimko Ltd (0598), Takomotie 8, FI-00380 Helsinki, Finland.

Luogo, data: Malmö, Firma: Ted Qu, Direttore Qualità
11.11.2021

Ted Qu

1 DESCRIPTION

1.1 OBJET

Le produit est doté d'un accessoire de coupe monté sur une perche afin que l'opérateur coupe les branches d'arbres qui n'ont pas été abattus mais pas pour couper le bois comme une tronçonneuse normale.

Cet appareil n'a pas été conçu pour être utilisé par des personnes (y compris les enfants) dont les capacités de compréhension sont réduites, voire des personnes dénuées d'expérience ou de connaissance, sauf si elles ont bénéficié, par l'intermédiaire d'une personne responsable de leur sécurité, d'une surveillance ou d'instructions préalables concernant l'utilisation de l'appareil.

Les enfants doivent être surveillés pour assurer qu'ils ne jouent pas avec l'appareil.

1.2 APERÇU

Figure 1-20.

- | | |
|----------------------------------|---|
| 1 Bouton de déverrouillage | 13 Bouchon de réservoir d'huile |
| 2 Bouton de déverrouillage petit | 14 Indicateur d'huile |
| 3 Gâchette | 15 Rainure de barre |
| 4 Poignée auxiliaire | 16 Coupeur |
| 5 Poignée de scie sur perche | 17 Maillons d'entraînement de chaîne |
| 6 Bague de transport | 18 Pignon |
| 7 Bouchon fileté | 19 Orifice de goupille de tension de chaîne |
| 8 Rallonge de perche | 20 Écrou d'arrêt de cache de chaîne |
| 9 Tête de scie sur perche | 21 Vis de tension de chaîne |
| 10 Cache de chaîne | |
| 11 Barre de guidage | |
| 12 Chaîne de coupe | |

2 AVERTISSEMENTS DE SÉCURITÉ POUR OUTILS ÉLECTRIQUES GÉNÉRAUX

▲ AVERTISSEMENT

Lisez l'ensemble des avertissements de sécurité, instructions, illustrations et spécifications accompagnant cet outil électrique. Le non-respect de toutes les instructions listées à la suite peut entraîner une décharge électrique, un incendie ou des blessures graves.

Conservez tous les avertissements et instructions pour référence ultérieure.

L'expression "outil électrique" dans les avertissements désigne votre outil électrique sur secteur (cordon) ou sur batterie (sans fil).

3 INSTALLATION

3.1 DÉBALLAGE DE LA MACHINE

▲ AVERTISSEMENT

Assurez-vous d'assembler correctement la machine avant son usage.

▲ AVERTISSEMENT

- Si les pièces sont endommagées, n'utilisez pas la machine.
- Si des pièces manquent, n'utilisez pas la machine.
- Si des pièces sont endommagées ou manquantes, contactez le centre d'entretien.

1. Ouvrez l'emballage.
2. Lisez la documentation.
3. Retirez toutes les pièces non-assemblées de la boîte.
4. Retirez la machine de la boîte.
5. Mettez la boîte et l'emballage au rebut dans le respect de la réglementation locale.

3.2 AJOUT DE LUBRIFIANT POUR BARRE ET CHAÎNE

Examinez la quantité d'huile dans la machine. Si le niveau d'huile est bas, ajoutez du lubrifiant pour barre et chaîne comme suit.

i IMPORTANT

Utilisez du lubrifiant pour barre et chaîne spécifique pour les chaînes et graisseurs de chaîne.

i REMARQUE

La machine est fournie d'usine sans lubrifiant pour barre et chaîne.

1. Desserrez et retirez le bouchon du réservoir d'huile.
2. Versez l'huile dans le réservoir d'huile.
3. Suivez l'indicateur d'huile pour vous assurer qu'aucune saleté ne s'infiltre dans le réservoir d'huile pendant le ravitaillement en huile.
4. Remettez le bouchon d'huile.
5. Serrez le bouchon d'huile.
6. Le réservoir d'huile plein assure une autonomie de fonctionnement de 15 - 40 minutes.

i IMPORTANT

N'utilisez pas d'huile sale, usagée ou contaminée. Des dommages sont possibles pour la barre et la chaîne.

3.3 ASSEMBLAGE DE LA BARRE DE GUIDAGE ET DE LA CHAÎNE

Figure 10-14.

1. Retirez le pack-batterie de la machine.
2. Retirez les écrous de cache de chaîne avec la clé.
3. Retirez le cache de chaîne.
4. Placez les maillons d'entraînement de chaîne dans la rainure de barre.
5. Placez les coupeurs de la chaîne dans le sens du fonctionnement de la chaîne.
6. Positionnez la chaîne et assurez-vous que la boucle est derrière la barre de guidage.
7. Tenez la chaîne et la barre.
8. Placez la boucle de chaîne autour du pignon.
9. Assurez-vous que l'orifice de goupille de tension de chaîne sur la barre de guidage s'ajuste correctement avec le boulon.
10. Installez le cache de chaîne.
11. Serrez la chaîne. Voir *Ajustement de tension de chaîne*.
12. Serrez les écrous lorsque la chaîne est bien tendue.

i REMARQUE

Si vous démarrez la tronçonneuse avec une nouvelle chaîne, testez-la 2-3 minutes. Ensuite, examinez la tension à nouveau et serrez la chaîne, si nécessaire.

3.4 USAGE DE LA BANDOULIÈRE

Figure 4.

1. Fixez le mousqueton sur la bague de transport de la perche.
2. Passez la bandoulière.
3. Ajustez la longueur de la sangle de sorte que le mousqueton soit environ d'une largeur de main sous votre hanche droite.

3.5 AJUSTEMENT DE LONGUEUR DE SCIE SUR PERCHE

Figure 3.

1. Desserrez le collier en le tournant dans le sens antihoraire.
2. Tirez la rallonge de perche vers le haut ou en arrière pour ajuster la longueur de la scie sur perche.
3. Serrez le collier.

3.6 AJUSTEMENT D'ANGLE DE TÊTE DE SCIE SUR PERCHE

La tête de scie sur perche offre deux angles : 0° ou 90°. La scie sur perche peut couper à la verticale ou à l'horizontale.

Figure 6.

1. Desserrez les deux vis sur la tête de scie sur perche avec la clé.
2. Tournez la tête de scie sur perche à 90° pour que les vis s'ajustent dans les orifices de vissage sur la perche.
3. Serrez les vis.

3.7 PRÉPARATION DE LA COUPE

Figure 4.

Avant de commencer la coupe, assurez-vous des points suivants

- Portez des gants résistants pour maximiser la prise et la protection.
- Maintenez une prise correcte sur la machine durant le travail.
 - Utilisez votre main droite pour saisir la poignée arrière alors que votre main gauche saisit l'arbre de perche.
 - Maintenez votre corps à gauche de la ligne de chaîne.
 - N'adoptez jamais une prise de gaucher (mains interverties) ou une posture plaçant votre corps ou votre bras en travers de la ligne de chaîne.
- Ne vous tenez jamais directement sous la branche à couper.
- Examinez périodiquement le serrage des colliers durant le travail.

3.8 INSTALLATION DE LA BATTERIE

Figure 5.

▲ AVERTISSEMENT

- Si la batterie ou le chargeur est endommagé, remplacez-le.
- Arrêtez la machine et attendez que le moteur s'arrête avant d'installer ou de retirer la batterie.
- Vous devez lire, comprendre et appliquer les instructions du manuel de la batterie et du chargeur.

1. Alignez les ailettes de la batterie avec les rainures dans le compartiment de batterie.
2. Poussez la batterie dans le compartiment de batterie jusqu'à la verrouiller.
3. Au clic audible, la batterie est installée correctement.

3.9 RETRAIT DE LA BATTERIE

Figure 5.

1. Appuyez sur le bouton de libération de la batterie sans le relâcher.
2. Retirez la batterie de la machine.

4 FONCTIONNEMENT

i REMARQUE

Retirez le pack-batterie et maintenez les mains à l'écart du bouton de déverrouillage pour déplacer la machine.

i IMPORTANT

Examinez la tension de chaîne avant chaque usage.

4.1 EXAMEN DE LUBRIFICATION DE LA CHAÎNE

i REMARQUE

N'utilisez pas la machine si la chaîne n'est pas suffisamment lubrifiée.

Figure 2.

1. Examinez le niveau de lubrifiant de la machine avec l'indicateur d'huile.
2. Ajoutez plus de lubrifiant, si nécessaire.

4.2 DÉMARRAGE DE LA MACHINE

Figure 7.

1. Installez le pack-batterie de la machine.
2. Appuyez sur le bouton de verrouillage de sécurité.
3. Tirez le petit bouton de verrouillage de sécurité vers le haut.
4. Appuyez sur la gâchette.

4.3 ARRÊT DE LA MACHINE

Figure 7.

1. Relâchez la gâchette pour arrêter la machine.

4.4 ÉBRANCHAGE D'UN ARBRE

Figure 8.

▲ AVERTISSEMENT

Assurez-vous que rien ni personne ne se trouve dans la zone de chute des branches.

- Tenez-vous en position opposée à la branche que vous coupez.
- Commencez la coupe par les branches les plus hautes.
- Puis coupez les branches les plus basses.
- Coupez vers le bas pour éviter que la barre ne se bloque.

4.5 ÉBRANCHAGE D'ARBRE

L'ébranchage consiste à retirer des branches d'un arbre abattu.

Figure 9.

1. Conservez les grosses branches les plus basses pour maintenir la bille au-dessus du sol.
2. Retirez les petites branches en une seule coupe.
3. Ébranchez les branches sous tension par dessous en remontant.
4. Conservez les grosses branches les plus basses comme support jusqu'à la coupe de la bille.

5 MAINTENANCE

▲ AVERTISSEMENT

Ne laissez pas le liquide de frein, l'essence et les substances à base de pétrole toucher les pièces en plastique. Les produits chimiques peuvent endommager le plastique et rendre son entretien impossible.

▲ AVERTISSEMENT

N'utilisez pas de détergents ou de solvants puissants sur les composants ou le boîtier en plastique.

▲ AVERTISSEMENT

Retirez la batterie de la machine avant la maintenance.

5.1 AJUSTEMENT DE TENSION DE CHAÎNE

Figure 10.13.14

▲ AVERTISSEMENT

Portez des gants de protection pour toucher la chaîne, la barre ou les zones proches de la chaîne.

1. Desserrez le cache de chaîne en tournant son écrou d'arrêt dans le sens antihoraire.

i REMARQUE

Il n'est pas nécessaire de retirer le cache de chaîne pour ajuster la tension de la chaîne.

2. Tournez la vis de réglage de la chaîne dans le sens horaire pour tendre la chaîne.
3. Tournez la vis de réglage de la chaîne dans le sens antihoraire pour détendre la chaîne.
4. Une fois la chaîne à la tension correcte, serrez le cache de chaîne.

5.2 AFFÛTAGE DE COUPEURS

Affûtez les coupeurs si la chaîne a du mal à "mordre" dans le bois.

i REMARQUE

Nous recommandons de contacter votre revendeur équipé d'un affûteur électrique pour les travaux d'affûtage importants.

Figure 15-18.

1. Tension de chaîne.
2. Affûtez le coin des coupeurs avec une lime ronde d'un diamètre de 4,5 mm.
3. Affûtez la plaque supérieure, la plaque latérale et la jauge de profondeur avec une lime plate.
4. Limez tous les coupeurs selon les angles spécifiés et à la même longueur.

i REMARQUE

Durant le processus,

- Maintenez la lime à plat sur la surface à affûter.
- Utilisez le milieu de la barre de lime.
- Appliquez une pression légère mais ferme pour l'affûtage de la surface.
- Levez la lime à chaque course de retour.
- Affûtez les coupeurs d'un côté puis passez à l'autre côté.

Remplacez la chaîne si :

- La longueur des bords de coupe est inférieure à 5 mm.
- L'espace est excessif entre les maillons d'entraînement et les rivets.
- La vitesse de coupe est faible
- L'affûtage répété de la chaîne n'accélère pas la coupe. La chaîne est usée.

5.3 MAINTENANCE DE BARRE DE GUIDAGE

Figure 19-20.

i REMARQUE

Assurez-vous qu'elle est retournée périodiquement pour préserver une usure symétrique sur la barre.

1. Lubrifiez les roulements du pignon de nez (le cas échéant) avec la seringue (non fournie).
2. Nettoyez la rainure de barre avec le crochet racleur (non fourni).
3. Nettoyez les orifices de lubrification.
4. Ébavurez les bords et nivelez les coupeurs à la lime plate.

Remplacez la barre si :

- la rainure ne respecte pas la hauteur des maillons d'entraînement (qui ne doivent jamais toucher le fond).
- l'intérieur de la barre de guidage est usé et fait pencher la chaîne d'un côté.

6 TRANSPORT ET STOCKAGE

Avant de déplacer la machine, systématiquement

- Retirez la batterie de la machine.
- Maintenez les mains à l'écart du bouton de déverrouillage.

- Placez le fourreau sur la barre de guidage et la chaîne.
- Avant de ranger la machine, systématiquement
- Retirez toute l'huile résiduelle de la machine.
 - Retirez la batterie de la machine.
 - Débarrassez la machine de tout matériau indésirable.
 - Assurez-vous que la zone de stockage est
 - Inaccessible pour les enfants.
 - À l'écart des agents de corrosion comme les produits chimiques de jardinage et les sels de déneigement.

7 DÉPANNAGE

Problème	Cause possible	Solution
La machine ne démarre pas.	Les perches sont mal assemblées.	Assemblez les perches selon les instructions.
	Le bouton de déverrouillage et la gâchette ne sont pas actionnés en même temps.	<ol style="list-style-type: none"> 1. Appuyez sur le bouton de déverrouillage sans le relâcher. 2. Tout en maintenant le bouton de déverrouillage, tirez sur la gâchette. 3. Relâchez le bouton de déverrouillage pour démarrer la machine.

Problème	Cause possible	Solution
La barre et la chaîne chauffent et fument.	Le réservoir d'huile est vide.	Remplissez le réservoir d'huile.
	Le port de décharge est bloqué.	<ol style="list-style-type: none"> Retirez le pack-batterie. Décrassez le port de décharge.
	L'ouverture d'entrée du réservoir d'huile intérieur est bloquée.	<ol style="list-style-type: none"> Nettoyez le réservoir d'huile. Remplissez avec du lubrifiant pour barre et chaîne propre.
	Le pignon est bloqué et obstrué par des débris.	<ol style="list-style-type: none"> Nettoyez le pignon. Remplissez avec du lubrifiant pour barre et chaîne propre.
La barre et la chaîne chauffent trop et ne coupent pas.	La chaîne est trop ou pas assez tendue.	Voir Ajustement de tension de chaîne dans le manuel.
	La chaîne est émoussée.	Affûtez ou remplacez la chaîne.
	La chaîne est installée à l'envers.	Retirez la chaîne et tournez-la dans le bon sens.
Le moteur tourne mais la chaîne coupe mal ou le moteur s'arrête au bout de 3 secondes.	Lorsque vous utilisez la machine en charge, elle s'arrête.	<ol style="list-style-type: none"> Relâchez la gâchette. Redémarrez la machine.
	La chaîne n'est pas lubrifiée.	Lubrifiez la chaîne pour réduire la friction.

8 DONNÉES TECHNIQUES

Tension	82 V DC
Vitesse à vide	20.5 m/s
Longueur de barre de guidage	250 mm
Capacité en huile de chaîne	150 ml
Poids (sans batterie)	5.35 kg
Niveau de pression acoustique mesuré	$L_{pA} = 83$ dB(A), $K_{pA} = 3$ dB(A)

Niveau de puissance acoustique garanti	$L_{wA,d} = 99$ dB(A)
Vibration	< 2.5 m/s ² , $K = 1,5$ m/s ²
Chaîne	25AP058X
Barre de guidage	100SDAA041(509877)
Modèle de batterie	82V180, 82V290P, 82V360, 82V580P et autres séries BAB
Modèle de chargeur	82C6 et autres séries CAB
IPX	IPX4

9 DÉCLARATION DE CONFORMITÉ CE

Nom et adresse du fabricant :

Nom : GLOBGRO AB
 Globe Group Europe
 Adresse : Riggaregatan 53, 211 13 Malmö, Suède

Nom et adresse de la personne autorisée à compiler le dossier technique :

Nom : Micael Johansson
 Adresse : Riggaregatan 53, 211 13 Malmö, Suède

Nous déclarons ici que le produit

Catégorie : Scie sur perche
 Modèle : 82PST39(PSB402)
 Numéro de série : Voir étiquette de caractéristiques du produit
 Année de construction : Voir étiquette de caractéristiques du produit

- est en conformité avec les dispositions pertinentes de la Directive Machine 2006/42/CE.
- est en conformité avec les dispositions des autres Directives CE suivantes :
 - 2014/30/UE
 - 2000/14/CE & 2005/88/CE
 - 2011/65/UE & 2015/863/UE

En outre, nous déclarons que les (parties /clauses de) normes européennes harmonisées suivantes ont été appliquées :

- EN 60745-1, EN ISO 11680-1, EN 55014-1, EN 55014-2, EN ISO 3744, ISO 11094, IEC 62321-3-1, IEC 62321-4, IEC 62321-5, IEC 62321-6, IEC 62321-7-1, IEC 62321-7-2, IEC 62321-8

Niveau de puissance
acoustique mesuré : L_{WA} : 95.7 dB(A)

Niveau de puissance
acoustique garanti : $L_{WA,d}$: 99 dB(A)

Méthode d'appréciation de la conformité selon l'Annexe V/
Directive 2000/14/CE.

Numéro de certificat d'examen de type CE : délivré par SGS
Fimko Ltd (0598), Takomotie 8, FI-00380 Helsinki, Finland.

Lieu et date : Malmö, 11.11.2021
Signature : Ted Qu, Directeur Qualité

Ted Qu

1	Descrição.....	37	4	Funcionamento.....	38
1.1	Intuito.....	37	4.1	Verifique a lubrificação da corrente.....	39
1.2	Vista pormenorizada.....	37	4.2	Ligar a máquina.....	39
2	Avisos de segurança gerais da ferramenta elétrica.....	37	4.3	Parar a máquina.....	39
3	Instalação.....	37	4.4	Podar os ramos de uma árvore.....	39
3.1	Retire a máquina da caixa.....	37	4.5	Cortar os ramos de uma árvore.....	39
3.2	Adicionar lubrificante à barra e à corrente.....	37	5	Manutenção.....	39
3.3	Monte a barra de orientação e a corrente.....	37	5.1	Ajustar a tensão da corrente.....	39
3.4	Usar a alça para o ombro.....	38	5.2	Afiar os cortadores.....	39
3.5	Ajustar o comprimento da podadora.....	38	5.3	Manutenção da barra de orientação.....	40
3.6	Ajustar o ângulo da cabeça da podadora.....	38	6	Transporte e armazenamento.....	40
3.7	Preparação para o corte.....	38	7	Resolução de Problemas.....	40
3.8	Instalar a bateria.....	38	8	Informação técnica.....	41
3.9	Retirar a bateria.....	38	9	Declaração de Conformidade CE..	41

1 DESCRIÇÃO

1.1 INTUITO

O produto com o acessório de corte montado na haste permite ao operador cortar ramos de árvores, mas não foi criado para cortar madeira como se fosse uma moto-serra.

Este aparelho não foi criado para ser utilizado por pessoas (incluindo crianças) com capacidades físicas, sensoriais ou mentais reduzidas, ou falta de experiência ou conhecimentos, excepto se forem supervisionadas ou se lhes forem dadas instruções em relação ao aparelho, por uma pessoa responsável pela sua segurança.

As crianças devem ser supervisionadas para garantir que não brincam com o aparelho.

1.2 VISTA PORMENORIZADA

Imagem 1-20.

1 Botão de desbloqueio	14 Indicador do nível do óleo
2 Botão de desbloqueio pequeno	15 Ranhura da barra
3 Gatilho	16 Cortador
4 Pega auxiliar	17 Elos condutores da corrente
5 Pega da podadora	18 Roda dentada
6 Anel de transporte	19 Orifício da cavilha de tensão da corrente
7 Tampa roscada	20 Porca de fixação da cobertura da corrente
8 Haste de extensão	21 Parafuso de tensão da corrente
9 Cabeça da podadora	
10 Cobertura da corrente	
11 Barra de orientação	
12 Corrente da serra	
13 Tampa do depósito do óleo	

2 AVISOS DE SEGURANÇA GERAIS DA FERRAMENTA ELÉTRICA

▲ AVISO

Leia todos os avisos de segurança, instruções, ilustrações e especificações fornecidos com esta ferramenta elétrica. Não seguir todas as instruções apresentadas abaixo pode resultar em choque elétrico, incêndio e/ou ferimentos graves.

Guarde todos os avisos e instruções para futuras referências.

O termo "ferramenta elétrica" nos avisos refere-se às suas ferramentas elétricas ligadas à corrente elétrica (com fios) ou ferramentas elétricas que funcionam com bateria (sem fios).

3 INSTALAÇÃO

3.1 RETIRE A MÁQUINA DA CAIXA.

▲ AVISO

Certifique-se de que monta corretamente a máquina antes da utilização.

▲ AVISO

- Se houver peças danificadas, não use a máquina.
- Se não tiver todas as peças, não utilize a máquina.
- Se houver peças danificadas ou em falta, contacte o centro de reparação.

1. Abra a caixa.
2. Leia a documentação existente na caixa.
3. Retire todas as peças desmontadas da caixa.
4. Retire a máquina da caixa.
5. Elimine a caixa e o material de empacotamento de acordo com as normas locais.

3.2 ADICIONAR LUBRIFICANTE À BARRA E À CORRENTE

Examine a quantidade de óleo na máquina. Se o nível do óleo estiver baixo, adicione lubrificante à barra e à corrente do seguinte modo:

i IMPORTANTE

Use lubrificante da barra e da corrente criado apenas para correntes.

i NOTA

A máquina vem de fábrica sem lubrificante para a barra e para a corrente.

1. Desenrosque e retire a tampa do depósito do óleo.
2. Adicione óleo no depósito.
3. Monitorize o indicador do óleo para se certificar de que não entra sujidade no depósito enquanto adiciona óleo.
4. Volte a colocar a tampa do óleo.
5. Aperte a tampa.
6. Um depósito do óleo completamente cheio dá para 15 a 40 minutos de tempo de funcionamento.

i IMPORTANTE

Não use óleos sujos, usados ou contaminados. Pode danificar a barra ou a corrente.

3.3 MONTE A BARRA DE ORIENTAÇÃO E A CORRENTE

Imagem 10-14.

1. Retire a bateria da máquina.
2. Retire as porcas da cobertura da corrente com a chave.

3. Retire a cobertura da corrente.
4. Coloque os elos condutores da corrente na ranhura da barra.
5. Coloque os cortadores da corrente na direção do funcionamento da corrente.
6. Coloque a corrente na respetiva posição e certifique-se de que o arco fica atrás da barra de orientação.
7. Segure a corrente e a barra.
8. Coloque o arco da corrente à volta da roda dentada.
9. Certifique-se de que o orifício da cavilha de tensão da serra na barra de orientação assenta corretamente com o parafuso.
10. Instale a cobertura da corrente.
11. Aperte a corrente. Consulte *Ajuste a tensão da corrente*.
12. Aperte as porcas quando a corrente estiver bem tensa.

i NOTA

Se ligar a motosserra com uma corrente nova, teste-a durante 2 a 3 minutos. Depois, volte a examinar a tensão e aperte a corrente, se necessário.

3.4 USAR A ALÇA PARA O OMBRO

Imagem 4.

1. Fixe o mosquetão no anel de transporte na haste.
2. Coloque a alça para o ombro.
3. Ajuste o comprimento da alça, de modo a que o mosquetão fique com a largura de uma mão por baixo do lado direito da sua anca.

3.5 AJUSTAR O COMPRIMENTO DA PODADORA

Imagem 3.

1. Solte a manga rodando no sentido inverso ao dos ponteiros do relógio.
2. Puxe a haste de extensão para cima ou para trás para ajustar o comprimento da podadora.
3. Aperte a manga.

3.6 AJUSTAR O ÂNGULO DA CABEÇA DA PODADORA

A cabeça da podadora tem dois ângulos: 0° ou 90°, a podadora pode cortar vertical ou horizontalmente.

Imagem 6.

1. Desaperte os dois parafusos na cabeça da podadora com a chave.
2. Rode a cabeça da podadora 90° até que os parafusos se encaixem nos orifícios na haste.
3. Aperte os parafusos.

3.7 PREPARAÇÃO PARA O CORTE

Imagem 4.

Antes de começar o corte, certifique-se de que

- Use luvas resistentes para uma preensão e proteção máximas.
- Segure sempre bem a máquina durante o funcionamento.
 - Use a sua mão direita para segurar a pega traseira, enquanto a sua mão esquerda segura o eixo da pressa.
 - Mantenha o seu corpo à esquerda da linha da corrente.
 - Nunca use uma pega para canhotos (mãos cruzadas) nem nunca coloque o seu corpo ou braço através da linha da corrente.
- Nunca se coloque diretamente por baixo do ramo que esteja a cortar.
- Examine periodicamente o aperto das mangas durante o funcionamento.

3.8 INSTALAR A BATERIA

Imagem 5.

▲ AVISO

- Se a bateria ou carregador estiver danificado, proceda à sua substituição.
- Pare a máquina e espere que o motor pare por completo antes de instalar ou retirar a bateria.
- Leia, compreenda e siga as instruções no manual da bateria e do carregador.

1. Alinhe as nervuras salientes da bateria com as ranhuras no compartimento da bateria.
2. Pressione a bateria para o respetivo compartimento, até ficar fixada no lugar.
3. Quando ouvir um clique, significa que a bateria está instalada.

3.9 RETIRAR A BATERIA

Imagem 5.

1. Prima e mantenha premido o botão de libertação da bateria.
2. Retire a bateria da máquina.

4 FUNCIONAMENTO

i NOTA

Retire a bateria e mantenha as mãos afastadas do botão de desbloqueio quando mover a máquina.

i IMPORTANTE

Verifique a tensão da corrente antes de cada utilização.

4.1 VERIFIQUE A LUBRIFICAÇÃO DA CORRENTE

i NOTA

Não use a máquina sem uma lubrificação suficiente da corrente.

Imagem 2.

1. Examine o nível de lubrificante a partir do indicador do óleo.
2. Se for necessário adicione mais lubrificante.

4.2 LIGAR A MÁQUINA

Imagem 7.

1. Instale a bateria na máquina.
2. Prima o botão de bloqueio de segurança.
3. Puxe o botão de bloqueio de segurança pequeno para cima.
4. Pressione o gatilho.

4.3 PARAR A MÁQUINA

Imagem 7.

1. Deixe de premir o gatilho para parar a máquina.

4.4 PODAR OS RAMOS DE UMA ÁRVORE

Imagem 8.

▲ AVISO

Certifique-se de que não há nada nem ninguém na área onde os ramos caem.

- Coloque-se do lado oposto do ramo que vai cortar.
- Comece por cortar os ramos mais altos.
- De seguida, corte os ramos mais baixos.
- Corte para baixo, para evitar que a barra fique bloqueada.

4.5 CORTAR OS RAMOS DE UMA ÁRVORE

Deve cortar os ramos de uma árvore abatida.

Imagem 9.

1. Deixe os ramos inferiores mais grossos para suportar o tronco do chão.
2. Retire os ramos pequenos num corte.
3. Corte os ramos tenso de baixo para cima.
4. Mantenha os ramos inferiores mais grossos como suporte até que o tronco seja cortado.

5 MANUTENÇÃO

▲ CUIDADO

Não permita que fluido dos travões, gasolina, materiais à base de petróleo toquem nas peças de plástico. Os químicos podem causar danos no plástico e torná-lo irreparável.

▲ CUIDADO

Não utilize solventes fortes ou detergentes na estrutura de plástico ou componentes.

▲ AVISO

Retire a bateria da máquina antes de proceder à manutenção.

5.1 AJUSTAR A TENSÃO DA CORRENTE

Imagem 10.13.14

▲ CUIDADO

Use luvas de proteção enquanto toca na corrente, barra ou áreas em redor da corrente.

1. Liberte a cobertura da corrente rodando a porca de fixação da cobertura da corrente no sentido inverso ao dos ponteiros do relógio.

i NOTA

Não é necessário retirar a cobertura da corrente para ajustar a tensão da corrente.

2. Rode o parafuso de ajuste da corrente no sentido dos ponteiros do relógio para aumentar a tensão da corrente.
3. Rode o parafuso de ajuste da corrente no sentido inverso ao dos ponteiros do relógio para diminuir a tensão da corrente.
4. Quando a corrente tiver a tensão desejada, aperte a cobertura da corrente.

5.2 AFIAR OS CORTADORES

Afie os cortadores se tiver dificuldades em fazer a motosserra entrar na madeira.

i NOTA

Recomendamos que seja um centro de reparação com afiadora elétrica a efetuar os trabalhos de afiação.

Imagem 15-18.

1. Aperte a corrente.
2. Afie o canto dos cortadores com uma lima redonda com 4 mm de diâmetro.
3. Afie a placa superior, placa lateral e profundidade com uma lima plana.

4. Lime todos os cortadores com os ângulos especificados e com o mesmo tamanho.

i NOTA

Durante o processo,

- Segure a lima plana à superfície a ser afiada.
- Use o meio da lima.
- Faça uma pressão ligeira, mas firme, quando afiar a superfície.
- Levante a lima sempre que voltar atrás.
- Afie os cortadores de um dos lados e depois passe para o outro lado.

Substitua a corrente se:

- O comprimento das extremidades de corte for inferior a 5 mm.
- Houver demasiado espaço entre os elos condutores e os rebites.
- A velocidade de corte for lenta.
- Afiar a corrente muitas vezes, mas não aumentar a velocidade de corte. A corrente estiver gasta.

5.3 MANUTENÇÃO DA BARRA DE ORIENTAÇÃO

Imagem 19-20.

i NOTA

Certifique-se de que é virada periodicamente, para manter o desgaste simétrico na barra.

1. Lubrifique os rolamentos na roda dentada do nariz (se existir) com a seringa (não incluída).
2. Limpe a ranhura da barra com o gancho de raspar (não incluído).
3. Limpe os orifícios de lubrificação.
4. Retire as rebarbas das extremidades e nivele os cortadores com uma lima plana.

Substitua a barra se:

- A ranhura não encaixar na altura dos elos condutores (que nunca podem tocar no fundo).
- O interior da barra de orientação estiver gasto e fizer a corrente inclinar para um dos lados.

6 TRANSPORTE E ARMAZENAMENTO

Antes de mover a máquina,

- Retire a bateria da máquina.
- Mantenha as mãos afastadas do botão de desbloqueio.
- Coloque a bainha na barra de orientação e corrente.

Antes de guardar a máquina,

- Retire todo o óleo residual da máquina.

- Retire a bateria da máquina.
- Limpe todo o material estranho da máquina.
- Certifique-se de que a área de armazenamento
 - Não está disponível para crianças.
 - Está afastada de agentes que possam causar corrosão, como químicos de jardim e sais para o gelo.

7 RESOLUÇÃO DE PROBLEMAS

Problema	Causa possível	Solução
A máquina não liga.	As hastes não estão montadas corretamente.	Monte as hastes de acordo com as instruções.
	O botão de desbloqueio e o gatilho não foram premidos em simultâneo.	<ol style="list-style-type: none"> 1. Prima e mantenha premido o botão de desbloqueio. 2. Enquanto mantém premido o botão de desbloqueio, puxe o gatilho. 3. Liberte o botão de desbloqueio para ligar a máquina.
A barra e a corrente ficam quentes e deitam fumo.	O depósito do óleo está vazio.	Encha o depósito do óleo.
	A porta de descarga está bloqueada.	<ol style="list-style-type: none"> 1. Retire a bateria. 2. Retire a sujidade da porta de descarga.
	A abertura de entrada do depósito do óleo está bloqueada.	<ol style="list-style-type: none"> 1. Limpe o depósito do óleo. 2. Ateste com lubrificante limpo para a barra e corrente.
	A roda dentada está presa e obstruída com resíduos.	<ol style="list-style-type: none"> 1. Limpe a roda dentada. 2. Ateste com lubrificante limpo para a barra e corrente.

Problema	Causa possível	Solução
A barra e a corrente ficam quentes e não cortam.	A tensão da corrente está demasiado apertada ou solta.	Consulte “Ajuste a tensão da corrente” no manual.
	A corrente não está afiada.	Afie ou substitua a corrente.
	A corrente foi colocada ao contrário.	Retire a corrente e vire-a na direção correta.
O motor funciona, mas a corrente não corta corretamente, ou o motor pára passados 3 segundos.	Quando usar a máquina exposta a cargas, ela pára.	<ol style="list-style-type: none"> Deixe de premir o gatilho. Ligue de novo a máquina.
	A corrente não está lubrificada.	Lubrifique a corrente para diminuir a fricção.

8 INFORMAÇÃO TÉCNICA

Voltagem	82 V DC
Velocidade sem carga	20.5 m/s
Comprimento da barra de orientação	250 mm
Capacidade do depósito do óleo da corrente	150 ml
Peso (sem a bateria)	5.35 kg
Nível de pressão do som medido	$L_{pA} = 83 \text{ dB(A)}$, $K_{pA} = 3 \text{ dB(A)}$
Nível de potência do som garantido	$L_{wA,d} = 99 \text{ dB(A)}$
Vibração	$< 2.5 \text{ m/s}^2$, $K = 1,5 \text{ m/s}^2$
Corrente	25AP058X
Barra de orientação	100SDAA041(509877)
Modelo da bateria	82V180, 82V290P, 82V360, 82V580P e outras séries BAB
Modelo do carregador	82C6 e outras séries CAB
IPX	IPX4

9 DECLARAÇÃO DE CONFORMIDADE CE

Nome e morada do fabricante:

Nome: GLOBGRO AB

Globe Group Europe

Morada: Riggaregatan 53, 211 13 Malmö, Suécia

Nome e morada da pessoa autorizada a compilar o ficheiro técnico:

Nome: Micael Johansson

Morada: Riggaregatan 53, 211 13 Malmö, Suécia

Declaramos por este meio que o produto

Categoria: Podadora

Modelo: 82PST39(PSB402)

Número de série: Consulte a etiqueta das especificações do produto

Ano de fabrico: Consulte a etiqueta das especificações do produto

- Se encontra em conformidade com as provisões relevantes da Diretiva Máquinas 2006/42/CE.
- Se encontra em conformidade com as provisões das seguintes diretivas europeias:
 - 2014/30/UE
 - 2000/14/CE e 2005/88/CE
 - 2011/65/UE e (UE)2015/863

Além disso, declaramos que as seguintes normas harmonizadas europeias (partes ou cláusulas) foram usadas:

- EN 60745-1, EN ISO 11680-1, EN 55014-1, EN 55014-2, EN ISO 3744, ISO 11094, IEC 62321-3-1, IEC 62321-4, IEC 62321-5, IEC 62321-6, IEC 62321-7-1, IEC 62321-7-2, IEC 62321-8

Nível de potência do som medido: $L_{wA} = 95.7 \text{ dB(A)}$

Nível de potência do som garantido: $L_{wA,d} = 99 \text{ dB(A)}$

Método de avaliação da conformidade com o anexo V, Diretiva 2000/14/CE

Número do certificado da examinação CE: emitido por SGS Fimko Ltd (0598), Takomotie 8, FI-00380 Helsinki, Finland.

Local, data: Malmö, 11.11.2021

Assinatura: Ted Qu, Diretor da Qualidade

Ted Qu

1 Beschrijving.....	43	3.8	Het accupack installeren.....	44	
1.1	Toepassing.....	43	3.9	Het accupack verwijderen.....	44
1.2	Overzicht.....	43	4 Gebruik.....	44	
2 Algemene		4.1	Controleer de kettingsmering.....	45	
veiligheidswaarschuwingen voor		4.2	De machine starten.....	45	
handgereedschap.....	43	4.3	De machine stoppen.....	45	
3 Installatie.....	43	4.4	Een boom snoeien.....	45	
3.1	Het gereedschap uitpakken.....	43	4.5	Takken snoeien.....	45
3.2	Smeermiddel voor de geleider en ketting bijvullen.....	43	5 Onderhoud.....	45	
3.3	De kettinggeleider en de ketting in elkaar zetten.....	44	5.1	De kettingspanning aanpassen.....	45
3.4	De schouderriem gebruiken.....	44	5.2	De snijschakels slijpen.....	45
3.5	De lengte van de stokzaag aanpassen.....	44	5.3	Onderhoud van de kettinggeleider.....	46
3.6	Pas de hoek van de stokzaagkop aan.....	44	6 Vervoer en opslag.....	46	
3.7	Vorbereiding voor het zagen.....	44	7 Problemen oplossen.....	46	
			8 Technische gegevens.....	47	
			9 EG conformiteitsverklaring.....	47	

1 BESCHRIJVING

1.1 TOEPASSING

Het product is uitgerust met een zaagopzetstuk dat op een paal is vastgemaakt om takken in staande bomen te zagen. Het is niet geschikt voor het zagen van hout zoals een gewone kettingzaag.

Dit apparaat is niet bestemd voor gebruikers (waaronder kinderen) met beperkte mogelijkheden, of die een gebrek hebben aan ervaring en kennis, tenzij ze supervisie of instructies hebben gekregen omtrent het gebruik van het apparaat door een persoon die verantwoordelijk is voor hun veiligheid.

Houd toezicht over kinderen zodat ze niet met het apparaat spelen.

1.2 OVERZICHT

Afbeelding 1-20.

1 Vergrendelingsknop	12 Zaagketting
2 Kleine vergrendelingsknop	13 Oliereservoirdop
3 Schakelaar	14 Olie-indicator
4 Ondersteunende greep	15 Zaagbladgleuf
5 Handgreep van de stokzaag	16 Cutter
6 Draagrings	17 Koppelingen kettingaandrijving
7 Schroefring	18 Kettingwiel
8 Verlengbuis	19 Kettingspanningspegel
9 Kop van de stokzaag	20 Vergrendelingsmoer voor kettingbeschermer
10 Kettingbeschermer	21 Kettingspanningschroef
11 Kettinggeleider	

2 ALGEMENE VEILIGHEIDSWAARSCHUWINGEN VOOR HANDGEREEDSCHAP

▲ WAARSCHUWING

Lees alle veiligheidswaarschuwingen, instructies, illustraties en specificaties die met dit elektrisch gereedschap worden geleverd. *Het niet naleven van alle onderstaande instructies kan leiden tot een elektrische schok, brand en/of ernstig letsel.*

Bewaar alle waarschuwingen en instructies voor latere raadpleging.

De term "elektrisch gereedschap" in de waarschuwingen verwijst naar uw op het voedingsnet aangedreven (met snoer) handgereedschap of ACCU aangedreven (snoerloos) handgereedschap.

3 INSTALLATIE

3.1 HET GEREEDSCHAP UITPAKKEN

▲ WAARSCHUWING

Zorg ervoor dat u de machine correct monteert voor gebruik.

▲ WAARSCHUWING

- Gebruik het gereedschap niet als er onderdelen beschadigd zijn.
- Als u niet over alle onderdelen beschikt, mag u het gereedschap niet gebruiken.
- Als er onderdelen beschadigd zijn of ontbreken, neem dan contact op met het servicecentrum.

1. Open de verpakking.
2. Lees de documentatie in de doos.
3. Haal de nog niet gemonteerde onderdelen uit de doos.
4. Haal het gereedschap uit de doos.
5. Voer de doos en verpakking af in overeenstemming met de plaatselijke voorschriften.

3.2 SMEERMIDDEL VOOR DE GELEIDER EN KETTING BIJVULLEN

Controleer de hoeveelheid olie in het gereedschap. Als het oliepeil laag is, vult u smeermiddel voor de geleider en de ketting als volgt toe.

i BELANGRIJK

Gebruik smeermiddel voor de geleider en ketting dat alleen voor kettingen en kettingoliesystemen geschikt is.

i OPMERKING

De machine wordt af fabriek geleverd zonder smeermiddel voor geleider en ketting.

1. Maak de dop los en verwijder deze van de oliereservoir.
2. Doe de olie in het oliereservoir.
3. Controleer de olie-indicator om er zeker van te zijn dat zich geen vuil in het oliereservoir bevindt terwijl u olie bijvult.
4. Plaats de oliedop erop.
5. Draai de oliedop vast.
6. Het gereedschap heeft een gebruiksduur van 15 - 40 minuten wanneer het oliereservoir volledig is gevuld.

i BELANGRIJK

Gebruik geen verontreinigde, gebruikte of vervuilde olie. Hierdoor kan schade aan de geleider of ketting optreden.

3.3 DE KETTINGGELEIDER EN DE KETTING IN ELKAAR ZETTEN

Afbeelding 10-14.

1. Verwijder het accupack uit de machine.
2. Verwijder de kettingbeschermermoeren met de sleutel.
3. Verwijder de kettingbeschermer.
4. Plaats de kettingaandrijving schakels in de groef van het zwaard.
5. Zet de kettingtanden in de werkrichting van de ketting.
6. Plaats de ketting op zijn plaats en zorg ervoor dat de lus zich achter de kettinggeleider bevindt.
7. Houd de ketting en het zwaard vast.
8. Plaats de kettinglus rond het tandwiel.
9. Zorg ervoor dat het kettingspanningsgat op de kettinggeleider juist overeen komt met de bout.
10. Installeer de kettingbeschermer.
11. Maak de ketting vast. Zie *Pas de kettingspanning aan*.
12. Draai de moeren vast wanneer de ketting goed is gespannen.

i OPMERKING

Als u de kettingzaag met een nieuwe ketting gebruikt, moet u hem eerst gedurende 2 à 3 minuten testen. Controleer vervolgens opnieuw de spanning en, indien nodig, span de ketting aan.

3.4 DE SCHOUDERRIEM GEBRUIKEN

Afbeelding 4.

1. Bevestig de karabijnhaak aan de draagring aan de stok.
2. Doe de schouderriem om.
3. Pas de lengte van de riem aan zodat de karabijnhaak ongeveer een handbreedte onder uw rechterheup zit.

3.5 DE LENGTE VAN DE STOKZAAG AANPASSEN

Afbeelding 3.

1. Maak de koppeling los door hem tegen de klok in te draaien.
2. Trek de verlengstok naar boven of naar achteren om de lengte van de stokzaag aan te passen.
3. Draai de koppeling vast.

3.6 PAS DE HOEK VAN DE STOKZAAGKOP AAN

De stokzaagkop heeft twee hoeken: 0° of 90°, de stokzaag kan verticaal of horizontaal zagen.

Afbeelding 6.

1. Maak de twee schroeven op de stokzaagkop los met de sleutel.
2. Draai de stokzaagkop 90° totdat de schroeven in de schroefgaten op de stok passen.
3. Draai de schroeven vast.

3.7 VOORBEREIDING VOOR HET ZAGEN

Afbeelding 4.

Voordat u begint met zagen, dient u ervoor te zorgen dat

- u stevige handschoenen draagt voor een maximale grip en bescherming.
- u een goede grip op de machine houdt tijdens het gebruik.
 - u uw rechterhand op de achterste greep houdt terwijl u met uw linkerhand de stokschaft vasthoudt.
 - Houd uw lichaam links van de kettinglijn.
 - Gebruik nooit een linkshandige (gekruste) greep, of een houding waardoor zich uw lichaam of arm over de kettinglijn bevindt.
- Ga nooit direct onder de tak staan die u wilt zagen.
- Controleer regelmatig de vast zit van de kraag tijdens het gebruik.

3.8 HET ACCUPACK INSTALLEREN

Afbeelding 5.

▲ WAARSCHUWING

- Als het accupack of de lader is beschadigd, dient u het accupack of de lader te vervangen.
- Stop het gereedschap en wacht tot de motor stopt voordat u het accupack installeert of verwijdert.
- Lees, ken en volg de instructies in de handleiding van de accu en de lader op.

1. Breng de staaftjes op het accupack in één lijn met de groeven op het accuvak-compartiment.
2. Duw het accupack in het accuvak-compartiment totdat het accupack op zijn plek vergrendelt.
3. Als u een klik hoort, is het accupack geïnstalleerd.

3.9 HET ACCUPACK VERWIJDEREN

Afbeelding 5.

1. Houd de ontgrendelingsknop van het accupack ingedrukt.
2. Verwijder het accupack uit de machine.

4 GEBRUIK

i OPMERKING

Verwijder het accupack en houd uw handen weg van de vergrendelingsknop als u het gereedschap verplaatst.

i BELANGRIJK

Controleer de kettingspanning vóór elk gebruik.

4.1 CONTROLEER DE KETTINGSMERING

i OPMERKING

Gebruik het gereedschap niet zonder voldoende kettingsmering.

Afbeelding 2.

1. Controleer het smeermiddelniveau van de olie-indicator.
2. Voeg indien nodig meer smeermiddel toe.

4.2 DE MACHINE STARTEN

Afbeelding 7.

1. Plaats het accupack in het gereedschap.
2. Druk de veiligheidsvergrendeling.
3. Trek de kleine veiligheidsvergrendeling omhoog.
4. Druk op de schakelaar.

4.3 DE MACHINE STOPPEN

Afbeelding 7.

1. Laat de schakelaar los op de machine te stoppen.

4.4 EEN BOOM SNOEIEN

Afbeelding 8.

▲ WAARSCHUWING

Zorg ervoor dat er niets of niemand in het gebied is waar de takken vallen.

- Ga tegenover de tak staan die u wilt zagen.
- Begin met het zagen van de hogere takken.
- Zaag vervolgens de onderste takken.
- Snijd naar beneden om te voorkomen dat het zwaard vastloopt.

4.5 TAKKEN SNOEIEN

Snoeien is het verwijderen van de takken van een omgehakte boom.

Afbeelding 9.

1. Laat de lager zittende takken aan de stam zodat de stam niet de grond raakt.
2. Verwijder kleine takken in één beweging.
3. Snoei de takken met spanning van beneden naar boven.
4. Behoud de grotere takken beneden als ondersteuning totdat de stam is gesnoeid.

5 ONDERHOUD

▲ LET OP!

Zorg dat de kunststof onderdelen niet in contact komen met remvloeistoffen, benzine of producten op basis van aardolie. Chemicaliën kunnen het kunststof beschadigen en het kunststof onbruikbaar maken.

▲ LET OP!

Maak de kunststof behuizing of onderdelen niet schoon met een agressief schoonmaakmiddel.

▲ WAARSCHUWING

Verwijder het accupack uit de machine voordat u onderhoud uitvoert.

5.1 DE KETTINGSPANNING AANPASSEN

Afbeelding 10.13.14

▲ LET OP!

Draag veiligheidshandschoenen als u de ketting, zwaard of gedeeltes rond de ketting aanraakt.

1. Maak de kettingafdekking los door de vergrendelingsmoer van de kettingafdekking tegen de klok in te draaien.

i OPMERKING

Het is niet nodig om de kettingafdekking te verwijderen om de kettingspanning aan te passen.

2. Draai de schroef voor de aanpassing van de kettingspanning rechtsonder om de kettingspanning te verhogen.
3. Draai de schroef voor de aanpassing van de kettingspanning linksom om de kettingspanning te verlagen.
4. Als de ketting de gewenste spanning heeft, draait u de kettingafdekking weer vast.

5.2 DE SNIJSCHAKELS SLIJPEN

Slijp de tanden als de ketting niet meer gemakkelijk door het hout gaat.

i OPMERKING

We raden aan dat een servicecentrum met een elektrische slijpmachine belangrijke slijpwerkzaamheden uitvoert.

Afbeelding 15-18.

1. Ketting spannen.
2. Slijp de hoeken van de tanden met een ronde vijl met een 5/32 inch (4 mm) diameter.

- Slijp de bovenplaat, de zijplaat en de diepteaanslag met een platte vijl.
- Vijl alle tanden in de vermelde hoeken en op dezelfde lengte.

i OPMERKING

Tijdens het proces,

- Houd de vijl vlak ten opzichte van het te slijpen oppervlak.
- Gebruik het middelpunt van de vijlstang.
- Gebruik geringe maar stevige druk tijdens het slijpen van het oppervlak.
- Trek de vijl bij elke terugslag achteruit.
- Slijp de tanden aan één kant en ga vervolgens verder met de andere kant.

Vervang de ketting als:

- De lengte van de hoeken van de tanden minder is dan 5 mm.
- Er te veel ruimte tussen de aandrijfverbindingen en de klinknagels is.
- De zaagsnelheid te laag is
- De ketting vele malen is geslepen maar de zaagsnelheid niet toeneemt. De ketting is versleten.

5.3 ONDERHOUD VAN DE KETTINGGELEIDER

Afbeelding 19-20.

i OPMERKING

Zorg ervoor dat hij regelmatig wordt omgedraaid om symmetrische slijtage aan de geleider te waarborgen.

- Smeer de lagers op het neuswiel (indien aanwezig) met de spuit (niet inbegrepen).
- Reinig de groef van de geleider met de krabhaak (niet inbegrepen).
- Reinig de smeergaten.
- Verwijder de braam van de randen en breng de tanden in één lijn met een platte vijl.

Vervang de geleider als:

- de groef niet past bij de hoogte van de aandrijfschakels (die nooit de bodem mogen raken).
- de binnenkant van de kettinggeleider is versleten en de ketting hierdoor scheef zit.

6 VERVOER EN OPSLAG

Voordat u de machine verplaatst,

- Verwijder het accupack uit de machine.
- Houd handen uit de buurt van de vergrendelingsknop.
- Plaats de bescherming op de geleider en de ketting.

Voordat u de machine opbergt,

- Verwijder alle overtollige olie van het gereedschap.
- Verwijder het accupack uit de machine.
- Verwijder al het ongewenste materiaal van het gereedschap.
- Zorg dat de opbergruimte
 - Niet voor kinderen toegankelijk is.
 - Uit de buurt van middelen die roest kunnen veroorzaken, zoals tuinchemicaliën en strooizout.

7 PROBLEMEN OPLOSSEN

Probleem	Mogelijke oorzaak	Oplossing
Het gereedschap start niet.	De stokken zijn niet correct gemonteerd.	Monteer de stokken in overeenstemming met de instructies.
	De vergrendelingsknop en schakelaar worden niet gelijktijdig gedrukt.	<ol style="list-style-type: none"> Druk de vergrendelingsknop en houd hem ingedrukt Terwijl u de vergrendelingsknop drukt, trekt u aan de schakelaar. Laat de vergrendelingsknop los om het gereedschap te starten.

Probleem	Mogelijke oorzaak	Oplossing
Zaagblad en ketting lopen warm en er is sprake van rookontwikkeling.	De olietank is leeg.	Vul de olietank.
	De afvoerpoort is geblokkeerd.	<ol style="list-style-type: none"> 1. Verwijder het accupack. 2. Verwijder vuil van de afvoerpoort.
	De inlaatopening van de interne olietank is geblokkeerd.	<ol style="list-style-type: none"> 1. Reinig de olietank. 2. Vullen met schoon smeermiddel voor zaagbladen en kettingen.
	Het tandwiel zit vast en is verstopt met vuil.	<ol style="list-style-type: none"> 1. Maak het tandwiel schoon. 2. Vullen met schoon smeermiddel voor zaagbladen en kettingen.
De zaag en ketting wordt te heet en kan niet meer zagen.	De kettingspanning is te hoog of te laag.	Raadpleeg de handleiding over hoe de kettingspanning moet worden aangepast.
	De ketting is bot	Slijp of vervang de ketting.
	De ketting is verkeerdom gemonteerd.	Haal de ketting eruit en draai hem in de goede richting.
De motor loopt, maar de ketting zaagt niet goed, of de motor stopt na ongeveer 3 seconden.	Wanneer u het gereedschap onder belasting gebruikt, stopt het.	<ol style="list-style-type: none"> 1. Laat de schakelaar los. 2. Start het gereedschap opnieuw.
	De ketting wordt niet gesmeerd.	Smeer de ketting om de wrijving te verlagen.

8 TECHNISCHE GEGEVENS

Spanning	82 V DC
Snelheid zonder belasting	20.5 m/s
Lengte kettinggeleider	250 mm
Inhoud kettingolie	150 ml
Gewicht (zonder accupack)	5.35 kg

Gemeten geluidsdruk niveau	$L_{pA} = 83 \text{ dB(A)}$, $K_{pA} = 3 \text{ dB(A)}$
Gewaarborgd geluidsvermogensniveau	$L_{wA,d} = 99 \text{ dB(A)}$
Trilling	$< 2.5 \text{ m/s}^2$, $K = 1.5 \text{ m/s}^2$
Ketting	25AP058X
Kettinggeleider	100SDAA041(509877)
Accumodel	82V180, 82V290P, 82V360, 82V580P en andere BAB series
Opladermodel	82C6 en andere CAB series
IPX	IPX4

9 EG CONFORMITEITSVERKLARING

Naam en adres van de fabrikant:

Naam: GLOBGRO AB
Globe Group Europe

Adres: Riggaregatan 53, 211 13 Malmö, Zweden

Naam en adres van de persoon bevoegd voor het samenstellen van het technisch bestand:

Naam: Micael Johansson

Adres: Riggaregatan 53, 211 13 Malmö, Zweden

Wij verklaren hierbij dat het product

Categorie: Stokzaag
Model: 82PST39(PSB402)
Serienummer: Zie typeplaatje van product
Fabricagejaar: Zie typeplaatje van product

- in overeenstemming is met de relevante bepalingen van richtlijn inzake machines 2006/42/EC.
- in overeenstemming is met de bepalingen van de volgende EC-richtlijnen:
 - 2014/30/EG
 - 2000/14/EG & 2005/88/EG
 - 2011/65/EU & (EU) 2015/863

Wij verklaren tevens dat de volgende (delen/clausules van) Europese geharmoniseerde normen werden gebruikt:

- EN 60745-1, EN ISO 11680-1, EN 55014-1, EN 55014-2, EN ISO 3744, ISO 11094, IEC 62321-3-1, IEC 62321-4, IEC 62321-5, IEC 62321-6, IEC 62321-7-1, IEC 62321-7-2, IEC 62321-8

Gemeten geluidsver- L_{WA} : 95.7 dB(A)
mogensniveau:

Gewaarborgd geluids- $L_{WA,d}$: 99 dB(A)
vermogenniveau:

Conformiteitsbeoordelingsmethode bij bijlage V 2000/14/EC.

Het EC type-inspectiecertificaatnummer: uitgegeven door
SGS Fimko Ltd (0598), Takomotie 8, FI-00380 Helsinki,
Finland.

Plaats, datum: Malmö, Handtekening: Ted Qu, Directeur
11.11.2021 kwaliteit

Ted Qu

1 ОПИСАНИЕ

1.1 ПРЕДНАЗНАЧЕНИЕ

Продукт оснащен режущим механизмом, устанавливаемым на штангу, который позволяет оператору обрезать ветви деревьев, но не предназначен для пилки дров, как обычная цепная пила.

Данное устройство не должно использоваться лицами, включая детей, с ограниченными физическими или умственными способностями, или отсутствием соответствующего опыта и знаний без присмотра или инструктажа лица, ответственного за их безопасность.

Необходимо присматривать за детьми, чтобы они не играли с прибором.

1.2 ОБЗОР

Рис. 1-20.

- | | |
|---------------------------|------------------------------------|
| 1 Кнопка блокировки | 12 Цепь пильная |
| 2 Малая кнопка блокировки | 13 Крышка масляного бака |
| 3 Курковый выключатель | 14 Индикатор масла |
| 4 Вспомогательная ручка | 15 Направляющая канавка |
| 5 Ручка штанговой пилы | 16 Зуб |
| 6 Крепежное кольцо | 17 Ведущие звенья цепи |
| 7 Резьбовая крышка | 18 Звездочка |
| 8 Удлинительная штанга | 19 Отверстия натяжения цепи |
| 9 Головка штанговой пилы | 20 Поворотный фиксатор крышки цепи |
| 10 Крышка цепи | 21 Винт натяжения пильной цепи |
| 11 Шина | |

2 ОБЩИЕ ПРЕДУПРЕЖДЕНИЯ ПО БЕЗОПАСНОСТИ ПРИ РАБОТЕ С ЭЛЕКТРОИНСТРУМЕНТОМ

▲ ВНИМАНИЕ

Изучите все предупреждения безопасности, инструкции, иллюстрации и спецификации, прилагаемые к данному электроинструменту. Несоблюдение нижеприведенных инструкций может привести к поражению электротоком, пожару и/или серьезным травмам.

Сохраните все предупреждения и инструкции для использования в будущем.

Под термином «электроинструмент», указанным в предупреждениях, подразумевается устройство с

питанием от электросети (проводной) и от аккумулятора (беспроводной).

3 МОНТАЖ

3.1 РАСПАКОВКА МАШИНЫ

▲ ВНИМАНИЕ

Перед эксплуатацией необходимо удостовериться, что машина собрана правильно.

▲ ВНИМАНИЕ

- Машину запрещается использовать при повреждении ее компонентов.
- При отсутствии каких-либо компонентов машину эксплуатировать запрещено.
- Если элементы машины повреждены или отсутствуют, обратитесь в сервисный центр.

1. Вскройте упаковку.
2. Ознакомьтесь с документацией, содержащейся в коробке.
3. Выньте несобранные компоненты из коробки.
4. Выньте машину из коробки.
5. Необходимо утилизировать коробку и упаковку в соответствии с местными требованиями.

3.2 ДОЛИВКА СМАЗКИ НАПРАВЛЯЮЩЕЙ ШИНЫ И ПИЛЯЩЕЙ ЦЕПИ

Проверьте количество масла в машине. Если уровень масла низкий, долейте масло для смазки шины и цепи следующим образом.

i ВАЖНО

Для смазывания шины и цепи необходимо использовать специальное масло.

i ПРИМЕЧАНИЕ

Машина поставляется с завода без масла для смазывания шины и пильной цепи.

1. Ослабьте и снимите крышку с масляного бака.
2. Залейте масло в масляный бак.
3. Следите за индикатором масла, чтобы убедиться, что в масляный бак не попала грязь во время заливки масла.
4. Наденьте крышку.
5. Закрутите ее.
6. Масляный бак полностью опорожняется за 15–40 минут работы пилы.

i ВАЖНО

Не используйте использованное или загрязненное масло. Это может привести к повреждению шины или цепи.

3.3 СБОРКА НАПРАВЛЯЮЩЕЙ ШИНЫ И ЦЕПИ

Рис. 10-14.

1. Выньте аккумуляторную батарею из машины.
2. Гайковертом отвинтите гайки крепления кожуха цепи.
3. Снимите кожух цепи.
4. Поместите ведущие звенья цепи в направляющую канавку.
5. Установите цепную пилу так, чтобы зубья были направлены в сторону вращения цепи.
6. Установите цепь на штатное место и удостоверьтесь, что петля цепи выходит за шину.
7. Удерживайте цепь и направляющую шину.
8. Поместите цепь на звездочку.
9. Убедитесь, что отверстие для натяжения цепи на шине совмещено с болтом.
10. Установите кожух цепи.
11. Натяните цепь. См. *Регулировка натяжения цепи*.
12. Затяните гайки после надлежащей натяжки цепи.

i ПРИМЕЧАНИЕ

При установке на пилу новой цепи необходимо произвести тестовый прогон в течение 2–3 минут. После этого необходимо снова проверить натяжение и подтянуть цепь, если необходимо.

3.4 ИСПОЛЬЗУЙТЕ ПЛЕЧЕВОЙ РЕМЕНЬ

Рис. 4.

1. Прикрепите карабин к крепежному кольцу на штанге.
2. Наденьте плечевой ремень.
3. Отрегулируйте длину ремня так, чтобы карабин располагался ниже бедра на расстоянии ширины ладони.

3.5 РЕГУЛИРОВКА ДЛИНЫ ШТАНГИ ШТАНГОВОЙ ПИЛЫ

Рис. 3.

1. Ослабьте хомут, повернув его против часовой стрелки.
2. Перемещая штангу по вылету вверх-вниз, установите пилу на нужную высоту.
3. Затяните хомут.

3.6 ОТРЕГУЛИРУЙТЕ УГОЛ НАКЛОНА ПИЛЬНОЙ ГОЛОВКИ

Пильная головка имеет два угла наклона: 0° или 90°; отпил может производиться в вертикальной и горизонтальной плоскостях.

Рис. 6.

1. Гаечным ключом ослабьте два винта на головке штанговой пилы.
2. Поверните пильную головку на 90°, пока винты не войдут в резьбовые отверстия на штанге.
3. Затяните винты.

3.7 ПОДГОТОВКА К РЕЗКЕ

Рис. 4.

Прежде чем приступит к резке, удостоверьтесь

- Надевайте плотные перчатки для обеспечения наилучшего хвата и защиты.
- Уверенно держите пилу во время работы с ней.
- Возьмитесь правой рукой за нижнюю рукоятку пилы, а левой — за ручку на штанге.
- Держите пилу так, чтобы тело находилось слева от направляющей шины.
- Запрещается использовать левостороннюю стойку или держать пилу так, чтобы части тела пересекали линию шины.
- Запрещается становиться непосредственно под спиливаемую ветку.
- Периодически проверяйте степень зажатия ручек во время работы.

3.8 УСТАНОВКА АККУМУЛЯТОРНОЙ БАТАРЕИ

Рис. 5.

▲ ВНИМАНИЕ

- При повреждении аккумулятора или зарядного устройства замените их.
- Прежде чем установить или вынуть аккумулятор, отключите пилу и дождитесь остановки электродвигателя.
- Изучите и выполните инструкции из руководства по эксплуатации АКБ и зарядного устройства.

1. Совместите ребра на аккумуляторе с канавками в батарейном отсеке.
2. Установите аккумулятор в батарейный отсек, пока он не защелкнется на месте.
3. При установке аккумулятора на штатное место раздастся характерный щелчок.

3.9 ИЗВЛЕЧЕНИЕ АККУМУЛЯТОРА

Рис. 5.

1. Нажмите и удерживайте кнопка извлечения аккумулятора.
2. Выньте аккумуляторную батарею из машины.

4 ЭКСПЛУАТАЦИЯ

i ПРИМЕЧАНИЕ

Извлеките АКБ и не подносите руки к кнопке блокировки во время транспортировки машины.

i ВАЖНО

Перед каждым использованием проверяйте натяжение цепи.

4.1 ПРОВЕРЬТЕ СМАЗКУ ЦЕПИ

i ПРИМЕЧАНИЕ

Не используйте пилу при неудовлетворительной смазке цепи.

Рис. 2.

1. Проверьте уровень смазки пилы по индикатору масла.
2. Дозаправьте смазку, если это необходимо.

4.2 ЗАПУСК УСТРОЙСТВА

Рис. 7.

1. Установите аккумулятор в пилу.
2. Нажмите предохранительную кнопку.
3. Потяните малую предохранительную кнопку вверх.
4. Нажмите курковый выключатель.

4.3 ОСТАНОВИТЕ МАШИНУ

Рис. 7.

1. Для остановки машины отпустите передний курковый выключатель.

4.4 УДАЛЕНИЕ ВЕТВЕЙ

Рис. 8.

▲ ВНИМАНИЕ

Удостоверьтесь, что в области падения ветвей нет посторонних предметов или лиц.

- Встаньте напротив ветви, которую необходимо срезать.
- Начните с верхних ветвей.
- Затем перейдите к нижним ветвям.
- Пилят в направлении вниз, чтобы предотвратить блокировку цепи.

4.5 ОБРЕЗКА СУЧЬЕВ

Обрезка сучьев — удаление ветвей со сваленного дерева.

Рис. 9.

1. Дерево должно поддерживаться над землей на нижних крупных ветвях.
2. Обрежьте небольшие ветви сразу.
3. Обрежьте сучья под напряжением движением снизу вверх.
4. Используйте нижнее толстые ветви в качестве опоры до завершения распиловки дерева.

5 ТЕХОБСЛУЖИВАНИЕ

▲ ВНИМАНИЕ

Не допускайте контакта тормозной жидкости, бензина, материалов на основе нефти с пластмассовыми элементами. Химические вещества могут привести к повреждению и порче пластмассовых компонентов.

▲ ВНИМАНИЕ

Запрещается использовать сильные растворители или мощные средства для очистки пластмассового корпуса и компонентов машины.

▲ ВНИМАНИЕ

Выньте аккумуляторную батарею из машины до выполнения техобслуживания.

5.1 ОТРЕГУЛИРУЙТЕ НАТЯЖЕНИЕ ЦЕПИ

Рис. 10.13.14

▲ ВНИМАНИЕ

При контакте с цепью, шиной или сопряженной с ними областью необходимо надевать перчатки.

1. Ослабьте кожу цепи, повернув контргайку фиксатора кожуха против часовой стрелки.

i ПРИМЕЧАНИЕ

Для регулировки цепи нет необходимости снимать крышку.

2. Поверните винт регулировки цепи по часовой стрелке, чтобы увеличить натяжение цепи.
3. Поверните винт регулировки цепи по часовой стрелке, чтобы уменьшить натяжение цепи.
4. Когда цепь должным образом натянута, затяните крышку цепи.

5.2 ЗАТОЧКА ЦЕПИ

Необходимо заточить цепь, если она с трудом входит в дерево.

i ПРИМЕЧАНИЕ

При необходимости затачивания цепи рекомендуется обращаться к своему дилеру, у которого имеются электрические устройства заточки.

Рис. 15-18.

1. Натяжка цепи.
2. Кромки зубов цепи необходимо затачивать круглым напильником 4,5 мм.
3. Верхнюю кромку, боковую кромку и выступ-ограничитель затачивают плоским напильником.
4. Зубы пильной цепи затачивают напильником под указанным углом и на одинаковую длину.

i ПРИМЕЧАНИЕ

В процессе заточки,

- Напильник должен находить параллельно к затачиваемой поверхности.
- Работайте серединой напильника.
- При заточке необходимо плотно прижимать напильник к целевой поверхности.
- Возвращайте напильник в исходное положение по воздуху.
- Заострив зубья с одной стороны, приступайте к заточке другой.

Замените цепь, если:

- Длина режущей кромки зуба составляет менее 5 мм.
- Между ведущими звеньями и заклепками образовалось слишком большое пространство.
- Скорость пиления слишком мала
- Многократное затачивание цепи не обеспечило повышение скорости пиления. Цепь износилась.

5.3 ТЕХОБСЛУЖИВАНИЕ НАПРАВЛЯЮЩЕЙ ШИНЫ

Рис. 19-20.

i ПРИМЕЧАНИЕ

Убедитесь, что она периодически поворачивается, чтобы обеспечивался симметричный износ.

1. Смажьте подшипники на носовой звездочке (если имеются) шприцем (не входит в комплект).
2. Очистите направляющую канавку крючком (не входит в комплект).
3. Очистите смазочные отверстия.
4. Удалите заусенцы с кромок и выровняйте зубцы круглым напильником.

Замените шину, если:

- канавка не соответствует высоте приводных звеньев (не должны касаться дна канавки).

- внутренняя часть шины изношена, что вызовет перекос цепи на одну сторону.

6 ТРАНСПОРТИРОВКА И ХРАНЕНИЕ

Перед транспортировкой машины необходимо

- Вынуть аккумуляторную батарею из машины.
- Не прикасаться к блокировочной кнопке.
- Надеть чехол на направляющую шину и цепь.

Перед размещением машины на хранение необходимо

- Слейте из машины все оставшееся масло.
- Выньте аккумуляторную батарею из машины.
- Очистить машину от мусора.
- Удостовериться, что область хранения
 - Недоступна для детей.
 - Располагается далеко от материалов, способных вызвать коррозию, например, от садовых химикатов и антиобледенителей.

7 ВЫЯВЛЕНИЕ И УСТРАНЕНИЕ НЕИСПРАВНОСТЕЙ

Проблема	Возможная причина	Решение
Машина не запускается.	Неправильно собрана штанга.	Соберите штангу согласно инструкциям.
	Кнопка блокировки и курковый выключатель отжимаются не одновременно.	<ol style="list-style-type: none"> 1. Нажмите и удерживайте кнопку блокировки. 2. Удерживая кнопку блокировки, нажмите курковый выключатель. 3. Отпустите кнопку блокировки, чтобы запустить пилу.

Проблема	Возможная причина	Решение
Шина и пыльная цепь нагреваются — возникает дым.	Масляный бак пуст.	Заполните масляный бак.
	Забивка выпускного канала.	1. Извлеките аккумулятор. 2. Очистите сливное отверстие.
	Засор выпускного отверстия внутреннего масляного бака.	1. Почистите масляный бак. 2. Залейте в бак чистое масло для смазки шины и цепи.
	Засор и забивка звездочки мусором.	1. Очистите звездочку. 2. Залейте в бак чистое масло для смазки шины и цепи.
Шина и пыльная цепь нагреваются и не режут ветви.	Цепь перетянута или сильно ослаблена.	См. раздел Регулировка натяжения цепи в руководстве пользователя.
	Цепь затупилась.	Заточите или замените цепь.
	Цепь неправильно надета.	Снимите цепь и поверните ее в правильном направлении.
Двигатель работает, но пила пилит неправильно или двигатель останавливается через 3 секунды.	При использовании машины под нагрузкой она останавливается.	1. Отпустите курковый выключатель. 2. Снова запустите машину.
	Цепь не смазана.	Смажьте цепь для уменьшения трения.

Емкость бака для смазки пыльной цепи	150 ml
Масса (без аккумулятора)	5.35 kg
Измеренный уровень звукового давления	$L_{pA} = 83$ дБ(A), $K_{pA} = 3$ дБ(A)
Фактический уровень звукового давления	$L_{wA,d} = 99$ дБ(A)
Значение вибрации	< 2.5 м/с ² , $K = 1,5$ м/с ²
Цепь	25AP058X
Шина	100SDAA041(509877)
Модель аккумулятора	82V180, 82V290P, 82V360, 82V580P и другие модели серии BAB
Модель зарядного устройства	82С6 и другие модели серии САВ
IPX	IPX4

9 ДЕКЛАРАЦИЯ СООТВЕТСТВИЯ ЕС

Название и адрес производителя:

Название: GLOBGRO AB
Globe Group Europe
Адрес: Riggaregatan 53, 211 13 Malmö, Швеция

Имя и адрес ответственного составителя документации:

Название: Micael Johansson
Адрес: Riggaregatan 53, 211 13 Malmö, Швеция

Настоящим свидетельствуем, что продукт

Категория: Штанговая пила
Модель: 82PST39(PSB402)
Серийный номер: См. паспортную табличку продукта
Год выпуска: См. паспортную табличку продукта

- удовлетворяет соответствующим требованиям Директива ЕС по машинному электрооборудованию 2006/42/ЕС.

- удовлетворяет соответствующим требованиям следующих директив ЕС:

- 2014/30/EU
- 2000/14/ЕС и 2005/88/ЕС
- 2011/65/EU и 2015/863/EU

8 ТЕХНИЧЕСКИЕ ДАННЫЕ

Напряжение	82 V DC
Скорость холостого хода	20.5 м/с
Длина направляющей шины	250 mm

Также заявляем, что продукт соответствует следующим (частям/статьям) единых европейских стандартов:

- EN 60745-1, EN ISO 11680-1, EN 55014-1, EN 55014-2, EN ISO 3744, ISO 11094, IEC 62321-3-1, IEC 62321-4, IEC 62321-5, IEC 62321-6, IEC 62321-7-1, IEC 62321-7-2, IEC 62321-8

Измеренный уровень L_{WA} : 95.7 дБ(А)
шума:

Фактический $L_{WA,d}$: 99 дБ(А)
уровень звукового
давления:

Способ оценки соответствия к Приложению V
Директивы 2000/14/ЕС.

Номер сертификата ЕС о соответствии утвержденному
типу: выдано SGS Fimko Ltd (0598), Takomotie 8, FI-00380
Helsinki, Finland.

Место, дата: Malmö, Подпись: Тэд Ку (Ted Qu),
11.11.2021 директор по качеству

Ted Qu

RU

1	Kuvaus.....	57	4.1	Tarkasta ketjun voitelu.....	58
1.1	Käyttötarkoitus.....	57	4.2	Koneen käynnistäminen.....	58
1.2	Yleiskatsaus.....	57	4.3	Koneen pysäyttäminen.....	59
2	Sähkötyökalujen yleiset turvallisuusvaroitukset.....	57	4.4	Kasvavan puun oksien karsiminen.....	59
3	Asennus.....	57	4.5	Kaadetun puun oksien karsiminen.....	59
3.1	Pura kone pakkauksesta.....	57	5	Kunnossapito.....	59
3.2	Terälevyn ja ketjun voiteluaineen lisääminen..	57	5.1	Ketjun kireyden säätö.....	59
3.3	Terälevyn ja teräketjun asentaminen.....	57	5.2	Terien teroittaminen.....	59
3.4	Olkahihnan käyttäminen.....	58	5.3	Terälevyn kunnossapito.....	59
3.5	Varsisahan pituuden säätäminen.....	58	6	Kuljettaminen ja säilytys.....	60
3.6	Varsisahan pään kulman säätäminen.....	58	7	Vianmääritys.....	60
3.7	Sahaamisen valmistelu.....	58	8	Tekniset tiedot.....	60
3.8	Akun asentaminen.....	58	9	EU-	
3.9	Poista akku.....	58		vaatimustenmukaisuusvakuutus....	61
4	Käyttö.....	58			

1 KUVAUS

1.1 KÄYTTÖTARKOITUS

Tuote, johon on kiinnitetty leikkaava varuste varteen mahdollistaa sen, että käyttäjä voi leikata oksia kasvavista puista, mutta sitä ei ole tarkoitettu puiden katkaisemiseen normaalin moottorisahan tavoin.

Tätä laitetta ei ole tarkoitettu sellaisten henkilöiden käyttöön (lapset mukaan lukien), joilla on alentunut kyky ymmärtää tai joilta puuttuu kokemusta ja tietoa, ellei heidän turvallisuudestaan vastaava henkilö valvo ja ohjeista heitä laitteen käytössä.

Lapsia tulee valvoa, jotta he eivät leiki laitteella.

1.2 YLEISKATSAUS

Kuva 1-20.

1 Lukituspainike	12 Teräketju
2 Pieni lukituksen avauspainike	13 Öljysäiliön korkki
3 Liipaisin	14 Öljyntason ilmaisin
4 Apukahva	15 Terälevyn ura
5 Varsisahakahva	16 Terä
6 Kantorengas	17 Ketjun vetolenkit
7 Kierreholkki	18 Ketjupyörä
8 Jatkovarsi	19 Ketjun kiristystapin reikä
9 Varsisahapää	20 Ketjusuojuksen lukitusmutteri
10 Ketjun suojus	21 Ketjun kireyden ruuvi
11 Terälevy	

2 SÄHKÖTYÖKALUJEN YLEISET TURVALLISUUSVAROITUKSET

▲ VAROITUS

Lue kaikki sähkötyökalun mukana tulevat turvallisuusvaroitukset, ohjeet, piirustukset ja tekniset tiedot. Alla olevien ohjeiden noudattamatta jättäminen saattaa aiheuttaa sähköiskun, tulipalon ja/tai vakavan vamman.

Säilytä kaikki varoitukset ja ohjeet tulevien tarpeiden varalta.

Varoituksissa käytetty termi "sähkötyökalu" tarkoittaa joko verkkovirtakäyttöistä (johdollista) sähkötyökalua tai akkukäyttöistä (johdotonta) sähkötyökalua.

3 ASENNUS

3.1 PURA KONE PAKKAUKSESTA

▲ VAROITUS

Varmista, että kokoat koneen oikein ennen käyttöä.

▲ VAROITUS

- Jos osissa on vaurioita, älä käytä konetta.
- Jos kaikkia osia ei ole, älä käytä konetta.
- Jos osat ovat vaurioituneet tai niitä puuttuu, ota yhteys huoltoliikkeeseen.

1. Avaa pakkaus.
2. Lue laatikon sisällä oleva dokumentaatio.
3. Poista kaikki irralliset osat laatikosta.
4. Poista kone laatikosta.
5. Hävitä laatikko ja pakkaus paikallisten määräysten mukaan.

3.2 TERÄLEVYN JA KETJUN VOITELUAINEEN LISÄÄMINEN

Tarkista koneessa olevan öljyn määrä. Jos öljyä on vähän, lisää terälevyn ja ketjun voiteluainetta seuraavassa kuvatulla tavalla.

i TÄRKEÄÄ

Käytä terälevyn ja ketjun voiteluainetta, joka on tarkoitettu vain ketjuille ja ketjuvoitelijoihin.

i HUOMAA

Kun kone tulee tehtaalta, siinä ei ole terälevyn tai ketjun voiteluainetta.

1. Kierrä öljysäiliön korkki irti ja poista se.
2. Lisää öljyä öljysäiliöön.
3. Seuraa öljyntason ilmaisinta, jotta likaa ei pääse öljysäiliöön öljyn lisäämisen aikana.
4. Aseta öljysäiliön korkki takaisin.
5. Kiristä öljysäiliön korkki.
6. Täyteen täytetty öljysäiliö kestää 15–40 minuutin käyttöajan.

i TÄRKEÄÄ

Älä käytä likaista, käytettyä tai saastunutta öljyä. Se voi aiheuttaa vaurioita terälevyyn tai ketjuun.

3.3 TERÄLEVYN JA TERÄKETJUN ASENTAMINEN

Kuva 10-14.

1. Irrota akku koneesta.
2. Poista ketjun suojuksen mutterit avaimella.

- Poista ketjun suojus.
- Aseta ketjun vetolenkki levyn uraan.
- Aseta katkaisuterät ketjun pyörimisen suuntaan.
- Aseta ketju paikalleen ja varmista, että lenkki on terälevyn takana.
- Pidä ketjua ja terälevyä.
- Aseta terän lenkki ketjupyörän ympärille.
- Varmista, että terälevyssä oleva ketjun kiristystapin reikä asettuu oikein pultin kanssa.
- Asenna ketjun suojus.
- Kiristä ketju. Katso kohtaa *Sääda ketjun kireyttä*.
- Kun ketju on kiristetty kunnolla, kiristä mutterit.

i HUOMAA

Jos käynnistät moottorisahan uudella ketjulla, testaa ketjua 2–3 minuuttia. Tarkasta kireys sen jälkeen ja kiristä ketju uudelleen tarvittaessa.

3.4 OLKAHIHINAN KÄYTTÄMINEN

Kuva 4.

- Kiinnitä karbiinihaka varren kantolenkkiin.
- Pue olkahihna.
- Sääda hinnan kireys siten, että karbiinihaka on noin kämmenen leveyden mitan oikean lonkan alapuolella.

3.5 VARSISAHAN PITUUDEN SÄÄTÄMINEN

Kuva 3.

- Löysää holkki kääntämällä sitä vastapäivään.
- Sääda varsisahan pituus vetämällä jatkovartta ylöspäin tai alaspäin.
- Kiristä holkki.

3.6 VARSISAHAN PÄÄN KULMAN SÄÄTÄMINEN

Varsisahan pää voi olla kahdessa kulmassa: 0° tai 90°, varsisahalla voi sahata pysty- tai vaakasuunnassa.

Kuva 6.

- Löysää varsisahan pään kaksi ruuvia avaimella.
- Käännä varsisahan päätä 90°, kunnes ruuvit menevät varren ruuvireikiin.
- Kiristä ruuvit.

3.7 SAHAAMISEN VALMISTELU

Kuva 4.

Ennen sahausaloittamista, varmista, että

- Käytät paksuja käsineitä, jotta saat parhaan mahdollisen otepitävyyden ja suojan.

- Pidät kunnan otteen koneesta käytön aikana.
 - Pidä oikealla kädellä tukevasti takakahvasta ja pidä vasenta kättä kiinni varressa.
 - Pidä vartalosia ketjulinjan vasemmalla puolella.
 - Älä käytä vasenkätistä (ristikkäistä) otetta tai asetu siten, että vartalosia tai kätesi on ketjulinjan kohdalla.
- Älä koskaan seiso suoraan sen oksan alla, jota sahaat.
- Tarkista holkkien kireys säännöllisesti käytön aikana.

3.8 AKUN ASENTAMINEN

Kuva 5.

▲ VAROITUS

- Jos akku tai laturi on vaurioitunut, vaihda akku tai laturi.
- Pysäytä kone ja odota moottorin pysähtymistä ennen kuin asennat tai poistat akun.
- Lue ja ymmärrä kaikki akun ja laturin käyttöoppaan ohjeet sekä noudata niitä.

- Kohdistaa akun ylösnousevat ulokkeet akkulokeroon uriin.
- Työnnä akkua akkulokeroon, kunnes akku lukittuu paikalleen.
- Kun kuulet napsahduksen, akku on asennettu.

3.9 POISTA AKKU

Kuva 5.

- Paina akun vapautuspainiketta ja pidä sitä painettuna.
- Irrota akku koneesta.

4 KÄYTTÖ

i HUOMAA

Poista akku ja pidä kädet poissa lukituksen vapautuspainikkeelta, kun kuljetat työkalua.

i TÄRKEÄÄ

Tarkasta ketjun kireys ennen jokaista käyttökertaa.

4.1 TARKASTA KETJUN VOITELU.

i HUOMAA

Älä käytä sahaa, jos terän voitelu on riittämätön.

Kuva 2.

- Tarkasta voiteluaineen taso öljyntason ilmaisimesta.
- Lisää tarvittaessa voiteluaineen määrää.

4.2 KONEEN KÄYNNISTÄMINEN

Kuva 7.

- Asenna akku koneeseen.

2. Paina lukituspainiketta.
3. Vedä pieni turvalukituspainike ylös.
4. Paina liipaisinta.

4.3 KONEEN PYSÄYTTÄMINEN

Kuva 7.

1. Pysäytä kone vapauttamalla liipaisin.

4.4 KASVAVAN PUUN OKSIEN KARSIMINEN

Kuva 8.

▲ VAROITUS

Varmista, ettei mitään tai ketään ole alueella, jolle oksat putoavat.

- Seiso sahattavan oksan vastakkaisella puolella.
- Aloita sahaaminen yläosista.
- Sahaa sen jälkeen alaoksat.
- Sahaa alaspäin estääksesi terälevyn juuttumisen.

4.5 KAADETUN PUUN OKSIEN KARSIMINEN

Puun karsiminen on työvaihe, jossa kaadetun puun oksat poistetaan.

Kuva 9.

1. Jätä isot alaoksat tukioksiksi pitämään tukkia irti maasta.
2. Poista pienet oksat yhdellä sahausella.
3. Jännityksen alaiset oksat tulisi sahata alhaalta ylöspäin.
4. Säilytä isot alaoksat tukina, kunnes tukki on karsittu.

5 KUNNOSSAPITO

▲ VARO

Älä anna jarrusteiden, bensiinin, öljypohjaisten tuotteiden päästä kosketuksiin muoviosien kanssa. Kemikaalit voivat vaurioittaa muovivia ja tehdä muovista käyttökelvottoman.

▲ VARO

Älä käytä voimakkaita liuottimia tai puhdistusaineita muoviseen runkoon tai muovisiin osiin.

▲ VAROITUS

Irrota akku koneesta ennen kunnossapitotoimia.

5.1 KETJUN KIREYDEN SÄÄTÖ

Kuva 10.13.14

▲ VARO

Käytä suojakäsineitä, jos kosket ketjuun, terälevyyn tai ketjun ympärillä oleviin alueisiin.

1. Irrota ketjun suojus kääntämällä ketjun suojuksen lukkomutteria vastapäivään.

i HUOMAA

Ketjun suojusta ei tarvitse irrottaa ketjun kireyden säätöä varten.

2. Käännä ketjun säätöruuvia myötäpäivään ketjun kiristämiseksi.
3. Käännä ketjun säätöruuvia vastapäivään ketjun kireyden vähentämiseksi.
4. Kun ketjun kireys on haluttu, kiristä ketjun suojus.

5.2 TERIEN TEROITTAMINEN

Teroita terät, jos terä ei enää mene puuhun helposti.

i HUOMAA

Suosittelemme huoltoliikettä, jossa on sähköteroitin, suorittamaan tärkeän teroitustyön.

Kuva 15-18..

1. Ketjun kiristäminen.
2. Teroita leikkuuterien kulmat pyöröviilalla 5/32" (4 mm).
3. Teroita ylälevy, sivulevy ja syvyyden säätöhammas lattaviilalla.
4. Viilaa kaikkiin teriin määritetyt kulmat ja sama pituus.

i HUOMAA

Työskentelyn aikana

- pidä viilaa teroitettavaa pintaa vasten.
- Käytä viilan keskikohtaa.
- Paina kevyesti mutta tukevasti, kun teroitat pintaa.
- Irrota viila jokaisella paluunykäyksellä.
- Teroita terät ensin toiselta puolelta ja siirry sitten toiselle puolelle.

Vaihda ketju, jos:

- Leikkuureunojen pituus on alle 5 mm.
- Vetolenkien ja niittien välys on liian iso.
- Sahausnopeus on hidas
- Ketju on teroitettu monta kertaa, mutta se ei paranna sahausnopeutta. Ketju on kulunut.

5.3 TERÄLEVYN KUNNOSSAPITO

Kuva 19-20.

i HUOMAA

Käännä terälevy toisin päin aina silloin tällöin, jotta terä kuluu tasaisesti.

1. Voitele kärkiketjupyörän (jos olemassa) laakerit ruiskulla (ei mukana).
2. Puhdista terälevyn ura kaavintakoukulla (ei mukana).
3. Puhdista voiteluaukot.
4. Poista reunojen purseet ja hio teriä lattaviilalla.

Vaihda terälevy, jos:

- ura ei sovi vetolenkkien korkeuteen (vetolenkit eivät saa koskettaa pohjaa).
- terälevyn sisäpuoli on kulunut ja saa ketjun toiselle puolelle.

6 KULJETTAMINEN JA SÄILYTYS

Ennen koneen kuljettamista,

- Irrota akku koneesta.
- Pidä kädet poissa lukituksen vapautuspainikkeelta.
- Kiinnitä teränsuojus terälevyn ja ketjuun.

Ennen koneen laittamista säilytykseen,

- Tyhjennä kaikki jäljelle jäänyt öljy koneesta.
- Irrota akku koneesta.
- Puhdista kaikki epätoivottu materiaali koneesta.
- Säilytyspaikan on oltava sellainen, että
 - Lapset eivät pääse sinne.
 - Etäällä syövyttävistä aineista, kuten puutarhakemikaalit ja jäänestosuolat.

7 VIANMÄÄRITYS

Ongelma	Mahdollinen syy	Ratkaisu
Kone ei käynnisty.	Varsia ei ole koottu oikein.	Kokoa varret ohjeiden mukaisesti.
	Lukituspainiketta ja liipaisinta ei paineta samanaikaisesti.	<ol style="list-style-type: none"> 1. Pidä lukituspainiketta painettuna. 2. Samalla, kun pidät lukituspainiketta painettuna, vedä liipaisimesta. 3. Käynnistä kone vapauttamalla lukituspainike.

Ongelma	Mahdollinen syy	Ratkaisu
Terälevy ja ketju tulevat kuumiksi ja niistä tulee savua.	Öljysäiliö on tyhjä.	Täytä öljysäiliö.
	Poistoaukko on tukossa.	<ol style="list-style-type: none"> 1. Poista akku. 2. Poista lika poistoaukosta.
	Sisemmän öljysäiliön syöttöaukko on tukossa.	<ol style="list-style-type: none"> 1. Puhdista öljysäiliö. 2. Täytä puhdasta terälaipan ja ketjun voiteluainetta.
Terälevy ja ketju tulevat liian kuumiksi eivätkä leikkaa.	Ketju on liian kirjeellä tai löysällä.	Katso käyttöoppaan kohtaa Teräketjun säätäminen
	Teräketju on tylsä	Teroita tai vaihda teräketju.
	Ketju on asetettu takaperin.	Irrota ketju ja käännä se oikeaan suuntaan.
Moottori käy, mutta ketju ei katkaise kunnolla tai moottori pysähtyy noin 3 sekunnin kuluttua.	Kun käytät konetta kuormitettuna, se sammuu.	<ol style="list-style-type: none"> 1. Vapauta liipaisin. 2. Käynnistä kone uudelleen.
	Ketjua ei ole voideltu.	Voitele ketju kitkan vähentämiseksi.

8 TEKNISET TIEDOT

Jännite	82 V DC
Joutokäyntinopeus	20.5 m/s
Terälevyn pituus	250 mm
Jarruöljyn tilavuus	150 ml
Paino (ilman akkua)	5.35 kg
Mitattu äänenpainetaso	$L_{pA} = 83$ dB (A), $K_{pA} = 3$ dB (A)
Taattu äänitehotaso	$L_{wA,d} = 99$ dB (A)
Tärinä	< 2.5 m/s ² , $K = 1,5$ m/s ²
Ketju	25AP058X
Terälevy	100SDAA041(509877)

Akun malli	82V180, 82V290P, 82V360, 82V580P ja muut BAB sarjat
Laturin malli	82C6 ja muut CAB sarjat
IPX	IPX4

Paikka, päiväys: Mal- Allekirjoitus: Ted Qu, Laatujohtaja
mö, 11.11.2021

Ted Qu

9 EU-VAATIMUSTENMUKAISUUSVAKUUTUS

Valmistajan nimi ja osoite:

Nimi: GLOBGRO AB
Globe Group Europe
Osoite: Riggaregatan 53, 211 13 Malmö, Ruotsi

Sen henkilön nimi ja osoite, joka on valtuutettu kokoamaan teknisen tiedoston:

Nimi: Micael Johansson
Osoite: Riggaregatan 53, 211 13 Malmö, Ruotsi

Täten vakuutamme, että tuote

Luokka: Varsisaha
Malli: 82PST39(PSB402)
Sarjanumero: Katso tuotteen tyyppikilpi
Valmistusvuosi: Katso tuotteen tyyppikilpi

- täyttää konedirektiivin 2006/42/EY olennaiset vaatimukset.
- täyttää seuraavien muiden EU-direktiivien vaatimukset:
 - 2014/30/EU
 - 2000/14/EY ja 2005/88/EY
 - 2011/65/EU ja (EU) 2015/863

Lisäksi vakuutamme, että seuraavia yhdenmukaistettuja eurooppalaisia standardeja (osia/artikloja) on käytetty:

- EN 60745-1, EN ISO 11680-1, EN 55014-1, EN 55014-2, EN ISO 3744, ISO 11094, IEC 62321-3-1, IEC 62321-4, IEC 62321-5, IEC 62321-6, IEC 62321-7-1, IEC 62321-7-2, IEC 62321-8

Mitattu äänentehota- L_{WA}: 95.7 dB (A)
so:

Taattu äänentehotaso: L_{WA,d}: 99 dB (A)

Vaatimustenmukaisuuden arviointi on tehty direktiivin 2000/14/EY liitteen V mukaisesti.

EY:n tyyppitarkastustodistuksen numero: Laatija SGS Fimko Ltd (0598), Takomotie 8, FI-00380 Helsinki, Finland.

1	Beskrivning.....	63	4.1	Kontrollera om kedjan måste smörjas.....	64
1.1	Syfte.....	63	4.2	Starta maskinen.....	65
1.2	Översikt.....	63	4.3	Stänga av maskinen.....	65
2	Allmänna säkerhetsvarningar för elverktyg.....	63	4.4	Kvista ett träd.....	65
3	Installation.....	63	4.5	Kvista trädgrenar.....	65
3.1	Packa upp maskinen.....	63	5	Underhåll.....	65
3.2	Fyll på svärd- och kedjeolja.....	63	5.1	Justera kedjans spänning.....	65
3.3	Montera svärdet och kedjan.....	63	5.2	Att vässa kedjans tänder.....	65
3.4	Använda axelremmen.....	64	5.3	Underhåll av svärdet.....	65
3.5	Justera stängsågens längd.....	64	6	Transport och förvaring.....	66
3.6	Justera stängsåghuvudets vinkel.....	64	7	Felsökning.....	66
3.7	Förberedelser inför kapning.....	64	8	Tekniska data.....	66
3.8	Montera batteripaketet.....	64	9	EG-försäkran om överensstämmelse.....	67
3.9	Ta ut batteripaketet.....	64			
4	Användning.....	64			

1 BESKRIVNING

1.1 SYFTE

Om produkten har ett klipptillbehör monterat på en stång är det möjligt för användaren att klippa grenar på stående träd, men den är inte avsedd för klippning av trä som en vanlig motorsåg.

Apparaten är inte avsedd att användas av personer (inklusive barn) med nedsatt förstånd, eller som saknar erfarenhet och kunskap, om de inte övervakas eller har fått instruktioner om användning av maskinen från en person som är ansvarig för deras säkerhet.

Håll uppsikt över barn så att de inte leker med maskinen.

1.2 ÖVERSIKT

Figur 1-20.

1 Låsknapp	12 Sägkedja
2 Liten uppläsningsknapp	13 Oljetankslock
3 Avtryckare	14 Oljeindikator
4 Hjälpbandtag	15 Svärdets spår
5 Stängsåghandtag	16 Tänder
6 Bärning	17 Kedjedrivlänkar
7 Skruvlock	18 Drivkugghjul
8 Förlängningsstång	19 Kedjespänningsstifthål
9 Stängsåghuvud	20 Låsmutter kedjekåpa
10 Kedjeskydd	21 Spännkruv för kedja
11 Svärd	

2 ALLMÄNNA SÄKERHETSVARNINGAR FÖR ELVERKTYG

▲ VARNING

Läs alla säkerhetsvarningar, anvisningar, illustrationer och specifikationer som medföljer detta elverktyg. Fel uppstår till följd av att anvisningarna nedan inte följts och kan orsaka elektriska stötar, brand och/eller allvarliga skador.

Spara alla varningar och instruktioner för framtida läsning.

Ordet "elverktyg" i varningarna syftar på ditt eldrivna (sladdförsedda) elverktyg eller batteridrivna (sladdlösa) elverktyg.

3 INSTALLATION

3.1 PACKA UPP MASKINEN

▲ VARNING

Kontrollera att maskinen är rätt monterad före användning.

▲ VARNING

- Använd inte maskinen om någon del är skadad.
- Använd inte maskinen om någon del saknas.
- Om någon del är skadad eller saknas, kontakta servicecenter.

1. Öppna förpackningen.
2. Läs igenom dokumentationen i förpackningen.
3. Ta ut alla omonterade delar från förpackningen.
4. Ta ut maskinen från förpackningen.
5. Avfallshantera lådan och förpackningsmaterialet enligt lokala regler.

3.2 Fyll på SVÄRD- OCH KEDJEOLJA

Kontrollera hur mycket olja det finns i maskinen. Om oljenivån är låg ska du fylla på med svärd- och kedjeolja på följande sätt.

i VIKTIGT

Använd en svärd- och kedjeolja som endast är avsedd för kedjor och kedjesmörjning.

i NOTERA

Maskinen levereras utan svärd- och kedjeolja.

1. Lossa och ta bort locket från oljetanken.
2. Håll oljan i tanken.
3. Titta i oljesiktglaset medan du fyller på med olja för att kontrollera att det inte finns föroreningar i oljan.
4. Sätt tillbaka oljelocket.
5. Dra åt locket.
6. En helt fylld oljetank räcker i 15–40 minuters drifttid.

i VIKTIGT

Använd inte smutsig eller förorenad olja. Det kan orsaka skador på svärdet eller kedjan.

3.3 MONTERA SVÄRDET OCH KEDJAN

Figur 10-14.

1. Ta ut batteripacket från maskinen.
2. Ta bort kedjeskyddets muttrar med skruvnyckeln.
3. Ta bort kedjeskyddet.
4. Placera kedjedrivlänken i svärdets spår.

- Kedjans tänder ska vara i samma riktning som kedjan rör sig.
- Placera kedjan i rätt position och se till att loopen är bakom svärdet.
- Håll i kedjan och svärdet.
- Placera kedjan runt kedjehjulet.
- Kontrollera att kedjespänningsens bulthål på svärdet passar perfekt med bulten.
- Sätt kedjeskyddet på plats.
- Spänn kedjan. Se *Justera kedjans spänning*.
- Dra åt muttrarna när kedjan är väl spänd.

i NOTERA

Låt motorsågen gå utan belastning i 2–3 minuter när du använder en ny kedja. Kontrollera sedan spänningen igen och dra åt kedjan om så krävs.

3.4 ANVÄNDA AXELREMMEN

Figur 4.

- Fäst haken i stängens bärring.
- Sätt på axelremmen.
- Justera remmens längd så att haken sitter ungefär en handbredd nedanför din högra höft.

3.5 JUSTERA STÅNGSÅGENS LÄNGD

Figur 3.

- Lossa hylsan genom att vrida den moturs.
- Dra förlängningsstången uppåt eller bakåt för att justera stångsågens längd.
- Dra åt hylsan.

3.6 JUSTERA STÅNGSÅGHUVUDETS VINKEL

Stångsåghuvudet har två vinklar : 0° eller 90°, stångsågen kan såga vertikalt eller horisontalt.

Figur 6.

- Lossa de två skruvarna på stångsåghuvudet med skruvnyckeln.
- Vrid stångsåghuvudet 90° tills skruvarna passar i skruvhålen på stången.
- Dra åt skruvarna.

3.7 FÖRBEREDELSE INFÖR KAPNING

Figur 4.

Kontrollera följande innan du börjar kapa:

- Använd kraftiga handskar för bästa möjliga grepp och skydd.

- Bibehåll ett ordentligt grepp om maskinen vid drift.
 - Håll i det bakre handtaget med höger hand och i stängskafvet med vänster hand.
 - Håll kroppen till vänster om kedjelinjen.
 - Använd aldrig vänsterhandsgrepp (i kors) eller någon ställning där du har kroppen eller någon arm tvärs över kedjelinjen.
- Stå aldrig direkt under den kvist du kapar.
- Kontrollera regelbundet hylsornas åtdragning under drift.

3.8 MONTERA BATTERIPAKETET

Figur 5.

▲ VARNING

- Byt batteripaketet eller laddaren, om de är skadade.
- Stäng av maskinen och vänta tills motorn stannat innan du monterar eller tar bort batteripaketet.
- Läs, förstå och följ instruktionerna i batteriets och laddarens handbok.

- Placera ribborna på batteripaketet i linje med ursparingarna i batteriutrymmet.
- Tryck in batteripaketet i batteriutrymmet tills batteripaketet låses fast.
- Batteripaketet har installerats när det hörs ett klick.

3.9 TA UT BATTERIPAKETET

Figur 5.

- Tryck in och håll in knappen för att frigöra batteriet.
- Ta ut batteripaketet från maskinen.

4 ANVÄNDNING

i NOTERA

Ta bort batteripaketet och ha inte händerna vid spärrknappen när du rör maskinen.

i VIKTIGT

Kontrollera kedjans spänning varje gång före användning.

4.1 KONTROLLERA OM KEDJAN MÅSTE SMÖRJAS

i NOTERA

Använd inte maskinen om kedjan är dåligt smord.

Figur 2.

- Kontrollera smörjmedelsnivån i maskinen med hjälp av oljemätaren.
- Tillsätt mer smörjmedel om det är nödvändigt.

4.2 STARTA MASKINEN

Figur 7.

1. Montera batteripaketet i maskinen.
2. Tryck på säkerhetslåsets knapp.
3. Dra den lilla säkerhetslåsknappen uppåt.
4. Tryck på avtryckaren.

4.3 STÄNGA AV MASKINEN

Figur 7.

1. Släpp reglaget för att stanna maskinen.

4.4 KVISTA ETT TRÄD

Figur 8.

▲ VARNING

Säkerställ att inga personer eller föremål befinner sig i det område där grenarna ramlar ned.

- Stå mitt emot den gren du ska kapa.
- Börja med att kapa de högre grenarna.
- Kapa därefter de lägre grenarna.
- Klipp nedåt för att förhindra att svärdet fastnar.

4.5 KVISTA TRÄDGRENAR

Att kvista är att ta bort kvistar och grenar från det fällda trädet.

Figur 9.

1. Låt de större, nedre grenarna vara kvar så att stammen inte ligger på marken.
2. Ta bort de mindre kvistarna med ett skär.
3. Kvista med tryck nedifrån och upp.
4. Låt de större grenarna vara kvar som stöd tills stammen är kvistad.

5 UNDERHÅLL

▲ OBSERVERA

Se till att bromsvätska, bensin och petroleumbaserade ämnen inte kommer i kontakt med plastdelarna. Kemikalier kan skada plasten och göra den oanvändbar.

▲ OBSERVERA

Använd inte starka lösnings- eller rengöringsmedel på plasthöljet eller komponenter.

▲ VARNING

Ta ut batteripaketet ur maskinen innan underhåll utförs.

5.1 JUSTERA KEDJANS SPÄNNING

Figur 10.13.14

▲ OBSERVERA

Använd skyddshandskar om du rör vid kedjan, svärdet eller delar nära kedjan.

1. Lossa kedjeskyddet genom att vrida kedjeskyddets låsmutter moturs.

i NOTERA

Det är inte nödvändigt att ta bort kedjeskyddet för att justera kedjans spänning.

2. Vrid justeringsskruven medurs för att spänna kedjan hårdare.
3. Vrid justeringsskruven moturs för att minska spänningen i kedjan.
4. Dra åt kedjeskyddet när kedjan har önskad spänning.

5.2 ATT VÄSSA KEDJANS TÄNDER

Vässa tänderna om kedjan har svårt att tränga genom veden.

i NOTERA

Vi rekommenderar att återförsäljaren, som har en elektrisk kedjevässare, genomför viktigt vässningsarbete.

Figur 15-18.

1. Spänna kedjan.
2. Vässa tändernas hörn med en rundfil med 4,5 mm diameter.
3. Vässa toppytan, sidoytan och bottarna med en platt fil.
4. Fila alla tänder till de vinklar som anges och till samma längd.

i NOTERA

Under processen:

- Håll filen platt mot den yta som ska vässas.
- Arbeta i mitten av filbladet.
- Använd ett lätt men bestämt tryck när du vässar ytan.
- Lyft filen från ytan vid varje returrörelse.
- Vässa tänderna på ena sidan och byt sedan till andra sidan.

Byt kedjan om:

- Skärkanternas längd är mindre än 5 mm.
- Det är för stort utrymme mellan drivlänkar och nitar.
- Om såghastigheten är långsam
- Kedjan vässas många gånger utan att såghastigheten ökar. Kedjan är sliten.

5.3 UNDERHÅLL AV SVÄRDET

Figur 19-20.

i NOTERA

Se till att vända svärdet regelbundet för att förhindra ojämnt slitage av svärdet.

- Smörj lagren i det främre kedjehjulet (om sådant finns) med sprutan (medföljer ej).
- Rengör svärdets spår med krokskrapan (medföljer ej).
- Rengör smörjhålen.
- Ta bort grader från kanterna och jämna till tänderna med en platt fil.

Byt svärdet om:

- spåret inte passar höjden på drivlänkarna (som aldrig får nå ned i botten).
- svärdets insida är slitna så att kedjan lutar åt ena hållet.

6 TRANSPORT OCH FÖRVARING

Innan du flyttar maskinen ska du

- Ta ut batteripaketet från maskinen.
- Håll händerna undan från spärrknappen.
- Placera skyddet på svärdet och kedjan.

Gör alltid följande innan du ställer undan maskinen för förvaring

- Avlägsna alla oljerester från maskinen.
- Ta ut batteripaketet från maskinen.
- Avlägsna önskat material från maskinen.
- Se till att förvaringsutrymmet
 - Inte är tillgängligt för barn.
 - Att det inte finns ämnen som kan orsaka korrosion, exempelvis trädgårdskemikalier och vägsalt.

7 FELSÖKNING

Problem	Möjlig orsak	Lösning
Maskinen startar inte.	Stängerna är inte monterade korrekt.	Montera stängerna i enlighet med anvisningarna.
	Uppläsningssknappen och avtryckaren trycks inte in samtidigt.	<ol style="list-style-type: none"> Tryck in och håll in uppläsningssknappen. Tryck på avtryckaren samtidigt som du håller inne uppläsningssknappen. Släpp uppläsningssknappen för att starta maskinen.

Problem	Möjlig orsak	Lösning
Svärdet och kedjan blir heta och ryker.	Oljetanken är tom.	Fyll på oljetanken.
	Utloppsporten är blockerad.	<ol style="list-style-type: none"> Ta ut batteripaketet. Avlägsna smuts från utloppsporten.
	Inneroljetankens inloppsöppning är blockerad.	<ol style="list-style-type: none"> Rengör oljetanken. Fyll på med rent svärd- och kedjefett.
Svärdet och kedjan blir för heta och kan inte kapa.	Kedjehjulet har fastnat och är igensatt med skräp.	<ol style="list-style-type: none"> Rengör kedjehjulet. Fyll på med rent svärd- och kedjefett.
	Kedjan är för hårt eller för löst spänd.	Se Justera kedjans spänning i bruksanvisningen.
	Kedjan är slö.	Vässa eller byt kedjan.
Motorn går men kedjan säger inte rätt, eller motorn stannar efter ungefär 3 sekunder.	Kedjan är monterad åt fel håll.	Ta ut kedjan och vänd den åt rätt håll.
	Maskinen stoppar när du använder den under belastning.	<ol style="list-style-type: none"> Släpp startknappen. Starta maskinen igen.
	Kedjan är dåligt smord.	Smörj kedjan för att minska friktionen.

8 TEKNISKA DATA

Spänning	82 V DC
Obelastad hastighet	20.5 m/s
Svärdets längd	250 mm
Volym kedjeolja	150 ml
Vikt (utan batteripaket)	5.35 kg
Uppmätt ljudtrycksnivå	$L_{pA} = 83$ dB(A), $K_{pA} = 3$ dB(A)
Garanterad ljudeffektivnivå	$L_{wA,d} = 99$ dB(A)
Vibration	< 2.5 m/s ² , $K = 1,5$ m/s ²
Kedja	25AP058X
Svärd	100SDAA041(509877)

Batterimodell	82V180, 82V290P, 82V360, 82V580P och andra BAB se- rier
Laddarmodell	82C6 och andra CAB serier
IPX	IPX4

Ort, datum: Malmö,
11.11.2021

Signatur: Ted Qu, Kvalitetschef

Ted Qu

9 EG-FÖRSÄKRAN OM ÖVERENSSTÄMMELSE

Tillverkarens namn och adress:

Namn: GLOBGRO AB
Globe Group Europe
Adress: Riggaregatan 53, 211 13 Malmö, Sverige

Namn och adress till personen med behörighet att sammanställa den tekniska filen:

Namn: Micael Johansson
Adress: Riggaregatan 53, 211 13 Malmö, Sverige

Härmed försäkras att produkten

Kategori: Stängsåg
Modell: 82PST39(PSB402)
Serienummer: Se produktens typskylt
Tillverkningsår: Se produktens typskylt

- är i överensstämmelse med relevanta bestämmelser i Maskindirektivet 2006/42/EG.
- är i överensstämmelse med bestämmelserna i följande EG-direktiv:
 - 2014/30/EU
 - 2000/14/EG & 2005/88/EG
 - 2011/65/EU & 2015/863/EU

Dessutom försäkras vi att följande (delar/klausuler av) europeiska harmoniserade standarder har använts:

- EN 60745-1, EN ISO 11680-1, EN 55014-1, EN 55014-2, EN ISO 3744, ISO 11094, IEC 62321-3-1, IEC 62321-4, IEC 62321-5, IEC 62321-6, IEC 62321-7-1, IEC 62321-7-2, IEC 62321-8

Uppmätt ljudeffektnivå: L_{WA} : 95.7 dB(A)

Garanterad ljudeffektnivå: $L_{WA,d}$: 99 dB(A)

Metod för överensstämmelsebedömning till Bilaga V, Direktiv 2000/14/EG.

EG-typundersökning certifikatnummer: utfärdat av SGS Fimko Ltd (0598), Takomotie 8, FI-00380 Helsinki, Finland.

1	Beskrivelse.....	69	4	Bruk	70
1.1	Formål.....	69	4.1	Undersøk kjedemøringen.....	70
1.2	Oversikt.....	69	4.2	Start maskinen.....	71
2	Generelle sikkerhetsadvarsler for elektroverktøy.....	69	4.3	Stans maskinen	71
3	Installasjon.....	69	4.4	Kutt kvister av et tre.....	71
3.1	Pakk ut maskinen.....	69	4.5	Kvisting av greiner.....	71
3.2	Legg til stang- og kjedesmøremiddelet.....	69	5	Vedlikehold.....	71
3.3	Monter styrestangen og kjedet.....	69	5.1	Juster kjedestrammingen.....	71
3.4	Bruke skulderstroppen.....	70	5.2	Gjør kutterne skarpere.....	71
3.5	Juster lengden til stangsagen.....	70	5.3	Vedlikehold av sverd	71
3.6	Juster engelen på stangsaghodet.....	70	6	Transport og oppbevaring.....	72
3.7	Forberedelser til saging.....	70	7	Problemløsning.....	72
3.8	Installer batteripakken.....	70	8	Tekniske data.....	72
3.9	Fjerning av batteripakken.....	70	9	EF-samsvarserklæring.....	73

1 BESKRIVELSE

1.1 FORMÅL

Produktet, utstyrt med tilbehør til skjæring, montert på en stang, slik at operatoren kan sage av grener på oppreiste trær, men ikke egnet for saging av trær på samme måte som en vanlig motorsag.

Dette apparatet er ikke tiltenkt bruk av personer (inkludert barn) med reduserte mentale evner eller mangel på erfaring og kunnskap, med mindre de er under tilsyn eller har mottatt instruksjoner til bruk av apparatet av en sikkerhetsansvarlig person.

Barn bør holdes under oppsyn for å hindre at de leker med apparatet.

1.2 OVERSIKT

Figur 1-20.

1 Låseknapp	1. Oljetankhette
2 Liten låseknapp	3
3 Utløser	14 Oljeindikator
4 Hjelpéhåndtak	15 Stangspor
5 Håndtak på stangsag	16 Klipper
6 Bæring	17 Kjedeoverføringsledd
7 Skrufeste	18 Tannhjul
8 Utvidelsespole	19 Hull til kjedestramming
9 Stangsaghode	20 Låsemutter for kjededeksel
10 Kjededeksel	21 Kjedestrammingskrue
11 Styrestang	
12 Sagkjede	

2 GENERELLE SIKKERHETSADVARSLER FOR ELEKTROVERKTØY

▲ ADVARSEL

Les alle sikkerhetsadvarsler, instruksjoner, illustrasjoner og spesifikasjoner som følger med dette elektroverktøyet. Hvis du ikke følger alle instruksjonene nedenfor, kan det føre til elektrisk støt, brann og/eller alvorlig personskade.

Ta vare på alle advarsler og instruksjoner for fremtidig bruk.

Betegnelsen "elektroverktøy" i advarslene refererer til hovednett-drevne (med ledning) elektroverktøy eller BATTERI-drevne (trådløs) elektroverktøy.

3 INSTALLASJON

3.1 PAKK UT MASKINEN

▲ ADVARSEL

Sørg for at maskinen monteres korrekt før du benytter den.

▲ ADVARSEL

- Du må ikke bruke maskinen hvis noen av delene er defekte.
- Ikke bruk maskinen hvis du ikke har alle delene.
- Hvis deler mangler eller er skadet, kontakt et servicesenter.

1. Åpne pakken.
2. Les dokumentasjonen i esken.
3. Ta alle de demonterte delene ut av esken.
4. Ta maskinen ut av esken.
5. Kast esken og emballasjen i henhold til lokale lover og regler.

3.2 LEGG TIL STANG- OG KJEDESMØREMIDDELET

Undersøk mengden olje i maskinen. Hvis oljenivået er lavt, legg til stang- og kjedesmøremiddelet som følger.

i VIKTIG

Bruk stang- og kjedesmøremiddel ettersom bare er egnet for kjeder og kjedesmørere.

i MERK

Maskinen kommer fra fabrikk uten stang- og kjedesmøremiddel.

1. Løsne og fjern hetten fra oljetanken.
2. Hell oljen i oljetanken.
3. Overvåk oljeindikatoren for å forsikre deg om at det ikke blir smuss i oljetanken mens du tilsetter oljen.
4. Sett oljedekselet på.
5. Stram oljehetten.
6. En fullstendig fylt oljetank vil ha 15 - 40 minutter driftstid.

i VIKTIG

Ikke bruk skitten, brukt eller kontaminert olje. Skader kan oppstå i stangen eller kjeden.

3.3 MONTER STYRESTANGEN OG KJEDET

Figur 10-14.

1. Ta batteripakken ut av maskinen.
2. Sett kjededekselmutrene med skiftenøkkel.

3. Fjern kjededekselet.
4. Sett kjedeoverføringsleddene i stangsporet.
5. Plasser kjedekutterne i kjedeoperasjonens retning.
6. Sett kjede i posisjon og sørg for at sløyden er bak styrestangen.
7. Hold kjedet og stangen.
8. Plasser kjedesløyfen rundt kjedehjul.
9. Sørg for at hullet i kjedespenningspinnen på styrestangen passer riktig med bolten.
10. Installer kjededekselet.
11. Stram kjedet. Se også *Juster kjedestrammingen*.
12. Stram til mutrene når kjedet er strammet til skikkelig.

i MERK

Hvis du starter motorsagen med en ny kjede, må du teste det i 2-3 minutter. Undersøk deretter spenningen igjen og stram til kjedet hvis det er nødvendig.

3.4 BRUKE SKULDERSTROPPE

Figur 4.

1. Fest karabinkroken til stangens bærer.
2. Sett på skulderstroppen.
3. Juster lengden på stroppen slik at kroken er seg ca. en håndsbredd under din høyre hofte.

3.5 JUSTER LENGDEN TIL STANGSAGEN

Figur 3.

1. Løsne kragen ved å vri den mot urviseren.
2. Trekk forlengelsespolen oppover eller bakover for å justere lengden på stangsagen.
3. Stram kragen.

3.6 JUSTER ENGELEN PÅ STANGSAGHODET

Stangsaghodet har to engler: 0° eller 90°, stangsagen kan skjære vertikalt eller horisontalt.

Figur 6.

1. Løsne de to skruene på stangsaghodet med skiftenøkkel.
2. Vri stangsaghodet 90° til skruene passer inn i skrueshullene på stangen.
3. Stram til skruene.

3.7 FORBEREDELSE TIL SAGING

Figur 4.

Før du begynner å sage, må du forsikre deg om at du

- Bruker solide hansker så du får best mulig grep og beskyttelse.
- Har et fast grep om maskinen når du bruker den.
 - Har høyre hånd på bakre håndtak mens du holder stangskafet med venstre hånd.
 - Holder kroppen til venstre for kjedelinjen.
 - Aldri bruker venstrehåndsgrep (ved å krysse hendene) eller en posisjon som gjør at kroppen eller armen krysser kjedelinjen.
- Unngå å stå rett under grenen du skal sage av.
- Kontroller med jevne mellomrom at muffene sitter stramt mens du arbeider.

3.8 INSTALLER BATTERIPAKKEN

Figur 5.

▲ ADVARSEL

- Hvis batteripakke eller lader er skadet, må denne byttes ut.
- Stans maskinen og vent til motoren har stoppet helt før du installerer eller tar ut batteripakken.
- Les, forstå og følg instruksjonene i batteri- og laderhåndboken.

1. Sørg for at rillene i batteripakken er på linje med innhakkene på batteriholderen.
2. Skyv batteripakken inn i batteriholderen til batteripakken låses på plass.
3. Når du hører et klikk, er batteripakken riktig installert.

3.9 FJERNING AV BATTERIPAKKEN

Figur 5.

1. Skyv og hold på utløserknappen til batteriet.
2. Ta batteripakken ut av maskinen.

4 BRUK

i MERK

Fjern batteripakken og hold hendene på avstand fra låseknappen når du bærer maskinen.

i VIKTIG

Sjekk kjedestrammingen før hver bruk.

4.1 UNDERSØK KJEDESMØRINGEN

i MERK

Ikke bruk maskinen. uten tilstrekkelig kjedesmøring.

Figur 2.

1. Undersøk nivået av smøremiddel fra oljeindikatoren.
2. Tilsett mer smøremiddel hvis det er nødvendig.

4.2 START MASKINEN

Figur 7.

1. Installer batteripakken i maskinen.
2. Trykk på sikkerhetslåsknappen.
3. Trekk den siste sikkerhetslåsknappen opp.
4. Slipp utløseren.

4.3 STANS MASKINEN

Figur 7.

1. Slipp ut gassknappen for å stanse maskinen.

4.4 KUTT KVISTER AV ET TRE.

Figur 8.

▲ ADVARSEL

Sørg for at ingen gjenstander eller personer befinner seg i områder der grenene faller.

- Stå på motsatt side av grenen du vil kutte.
- Begynn å kutte de høyere grenene.
- Kutt deretter de nedre grenene.
- Kutt nedover for å hindre at stangen blir fastkilt.

4.5 KVISTING AV GREINER

Når du kvister, fjerner du greiner og kvister fra et felt tre.

Figur 9.

1. Behold de store greinene nederst så tømmerstokken holdes over bakken.
2. Fjern de minste greinene i én sageoperasjon.
3. Sag av utstrakte greiner fra nedsiden og opp.
4. Behold de store greinene nederst som støtte til tømmerstokken er kvistet.

5 VEDLIKEHOLD

▲ FORSIKTIG

Ikke la bremsevæske, bensin eller oljebaserte stoffer komme i kontakt med plastdeler. Kjemikalier kan skade plasten og gjøre den umulig å reparere.

▲ FORSIKTIG

Unngå å bruke sterke oppløsninger eller vaskemidler på plasthus eller deler.

▲ ADVARSEL

Ta ut batteripakken fra maskinen før vedlikehold.

5.1 JUSTER KJEDESTRAMMINGEN

Figur 10.13.14

▲ FORSIKTIG

Bruk beskyttelseshansker når du berører kjedet, sverdet eller områder rundt kjedet.

1. Løsne kjededekslet ved å vri kjededekselåsmutteren mot klokken.

i MERK

Det er ikke nødvendig å fjerne kjededekselet for å justere kjedespenningen.

2. Vri justeringsskruen med urviseren for å øke kjedestrømmingen.
3. Vri kjedeskruen mot urviseren for å redusere kjedestrømmingen.
4. Når kjedet er passe stramt, skru du fast kjededekslet.

5.2 GJØR KUTTERNE SKARPERE

Gjør kutterne skarperer hvis kjeden har vanskeligheter må å gå inn i treet.

i MERK

Vi anbefaler at du får et serviceverksted, med en elektrisk slipemaskin, til å utføre viktig skarphetsarbeid.

Figur 15-18..

1. Spenningskjede.
2. Slip kutterens hjørne med en rundfil med en diameter på 5/32 tommers (4 mm).
3. Slip topplaten, sideplate og dybdemåleren med en flat fil.
4. Fyll alle kuttere til de angitte vinklene og samme lengde.

i MERK

Under prosessen

- Hold filen flat med overflaten som skal skjerpes.
- Bruk midtpunktet på filstangen.
- Bruk lett, men fast trykk når du slipper overflaten.
- Løft filen bort ved hver returtakt.
- Fil kutterne på den ene siden og flytt deretter til den andre siden.

Bytt ut kjedet hvis:

- Lengden på kuttekantene er mindre enn 5 mm.
- Det er for mye plass mellom overføringsleddene og naglene.
- Kuttehastigheten er langsom
- Jeg gliper kjeden mange ganger, men det øker ikke kuttehastigheten. Kjedet er slitt.

5.3 VEDLIKEHOLD AV SVERD

Figur 19-20.

i MERK

Sørg for å snu sverdet med jevne mellomrom, slik at slitasjen på sverdet holdes symmetrisk.

1. Dersom sverdet er utstyrt med et nesehjul, må lagrene på dette smøres ved bruk av en sprøyte (ikke inkludert).
2. Rengjør sporet i sverdet med en skapekrok (ikke inkludert).
3. Rengjør smøringshullene.
4. Fjern grader fra kantene og jevn ut tennene med en flatfil.

Skift ut sverdet hvis:

- sporet ikke passer til drivleddenes høyde (drivleddene må aldri berøre bunnen)
- innsiden av sverdet er slitt og får kjedet til å lene mot én side

6 TRANSPORT OG OPPBEVARING

Ved transport eller bæring av maskinen, må du alltid gjøre følgende:

- Ta batteripakken ut av maskinen.
- Hold hendene på avstand fra låseknappen.
- Sett futteralet på sverdet og kjedet.

Før du setter maskinen til oppbevaring, må du alltid gjøre følgende:

- Fjern all resterende olje fra maskinen.
- Ta batteripakken ut av maskinen.
- Fjern smuss og fremmedelemerter fra maskinen.
- Sørg for at oppbevaringsstedet er
 - utilgjengelig for barn
 - på avstand fra etsende midler som hagekjemikalier og veisalt

7 PROBLEMLØSNING

Problem	Mulig årsak	Løsning
Maskinen vil ikke starte.	Stengene er ikke satt sammen ordentlig.	Sett sammen stengene i henhold til instruksjonene.
	Låseknappen og utløseren blir ikke trykket inn samtidig.	<ol style="list-style-type: none"> 1. Trykk og hold låseknappen inne 2. Mens du holder låseknappen inne, trekker du i utløseren. 3. Slipp låseknappen for å starte maskinen.

Problem	Mulig årsak	Løsning
Sverd og kjede blir varmt, og det kommer røyk ut av dem.	Oljetanken er tom.	Fyll mer olje på tanken.
	Utløpet er blokkert.	<ol style="list-style-type: none"> 1. Fjern batteripakken. 2. Fjern smuss fra utløpsporten.
	Inntaket på innsiden av oljetanken er blokkert.	<ol style="list-style-type: none"> 1. Rengjør oljetanken. 2. Fyller med ren smøreolje beregnet på sagsverd og kjede.
Sverd og kjede blir for varmt og virker ikke.	Kjedehjulet har satt seg fast og er tilstoppet av rusk.	<ol style="list-style-type: none"> 1. Rengjør kjedehjulet. 2. Fyller med ren smøreolje beregnet på sagsverd og kjede.
	Kjedet er enten for stramt eller for slakt.	Se "Justere strammingen av kjedet" i håndboken.
	Kjedet er sløvt	Skjerp kjedet eller bytt det.
Motoren går, men kjedet sager ikke riktig, eller motoren stopper etter ca. 3 sekunder.	Kjedet er satt på baklengs.	Ta ut kjedet og før det i riktig retning.
	Når du bruker maskinen med belastning, stopper den.	<ol style="list-style-type: none"> 1. Slipp utløseren. 2. Start maskinen på nytt.
	Kjedet er ikke smurt.	Smør kjedet for å minske friksjonen.

8 TEKNISKE DATA

Spenning	82 V DC
Hastighet uten belastning	20,5 m/s
Sverdlengde	250 mm
Kjedestans	
Kjedeoljekapasitet	150 ml
Vekt (uten batteripakke)	5,35 kg
Målt lydtryknivå	$L_{pA} = 83$ dB(A), $K_{pA} = 3$ dB(A)
Garantert lydeffektnivå	$L_{wA,d} = 99$ dB (A)
Vibrasjon	$< 2,5$ m/s ² , $K = 1,5$ m/s ²

Kjede	25AP058X
Sverd	100SDAA041(509877)
Batterimodell	82V180, 82V290P, 82V360, 82V580P og andre BAB serier
Ladermodell	82C6 og andre CAB serier
IPX	IPX4

Nummer på EC-sertifikat: utstedt av SGS Fimko Ltd (0598), Takomotie 8, FI-00380 Helsinki, Finland.

Sted, dato: Malmö, 11.11.2021 Signatur: Ted Qu, kvalitetsdirektør

Ted Qu

9 EF-SAMSVARERKLÆRING

Navn og adresse til produsenten:

Navn: GLOBGRO AB
Globe Group Europe
Adresse: Riggaregatan 53, 211 13 Malmö, Sverige

Navn og adresse til person med autorisasjon til å utarbeide teknisk fil:

Navn: Micael Johansson
Adresse: Riggaregatan 53, 211 13 Malmö, Sverige

Vi erklærer herved at produktet

Kategori: Stangsag
Modell: 82PST39(PSB402)
Serienummer: Se typeetikett på produkt
Konstruksjonsår: Se typeetikett på produkt

- er i samsvar med de relevante bestemmelsene i maskindirektivet 2006/42/EC.
- er i samsvar med de relevante bestemmelsene i følgende andre EF-direktiver:
 - 2014/30/EU
 - 2000/14/EC og 2005/88/EC
 - 2011/65/EU og (EU)2015/863

I tillegg erklærer vi at følgende (deler/paragrafer i) de harmoniserte EU-standardene har vært brukt:

- EN 60745-1, EN ISO 11680-1, EN 55014-1, EN 55014-2, EN ISO 3744, ISO 11094, IEC 62321-3-1, IEC 62321-4, IEC 62321-5, IEC 62321-6, IEC 62321-7-1, IEC 62321-7-2, IEC 62321-8

Målt lydeffektnivå: L_{WA} : 95,7 dB(A)

Garantert lydeffektnivå: $L_{WA,d}$: 99 dB(A)
vå:

Metode for samsvarsvurdering for Annex V, direktiv 2000/14/EC.

1	Beskrivelse.....	75	4	Betjening.....	76
1.1	Formål.....	75	4.1	Undersøg kædesmøringen.....	76
1.2	Oversigt.....	75	4.2	Start maskinen.....	76
2	Generelle sikkerhedsadvarsler vedrørende elværktøjer.....	75	4.3	Stop maskinen.....	77
3	Samling.....	75	4.4	Afgrening af et træ.....	77
3.1	Pak maskinen ud.....	75	4.5	Afgrening.....	77
3.2	Fyld smøremidlet til savsværdet og kæden på maskinen.....	75	5	Vedligeholdelse.....	77
3.3	Monter savsværdet og kæden.....	75	5.1	Juster kædespændingen.....	77
3.4	Brug af skulderremmen.....	76	5.2	Filing af savtænderne.....	77
3.5	Juster stangsavens længde.....	76	5.3	Vedligeholdelse af savsværdet.....	77
3.6	Juster vinklen på stangsavens savhovedet.....	76	6	Transport og opbevaring.....	78
3.7	Forberedelse før saven tages i brug.....	76	7	Fejlfinding.....	78
3.8	Sæt batteripakken i.....	76	8	Tekniske data.....	78
3.9	Fjern batteripakken.....	76	9	EF-overensstemmelseserklæring...	79

1 BESKRIVELSE

1.1 FORMÅL

Produktet er udstyret med en kniv på en stang, så brugeren kan skære grene af stående træer. Men kniven er ikke beregnet til, at skære i træ som en normal motorsav.

Dette apparat er ikke beregnet til brug af personer (herunder børn) med nedsat forståelse eller manglende erfaring og viden, medmindre de er under tilsyn eller er blevet vist, hvordan apparatet bruges af en person, der er ansvarlig for deres sikkerhed.

Børn skal overvåges for at sikre, at de ikke leger med apparatet.

1.2 OVERSIGT

Figur 1-20.

1 Låseknep	12 Savkæde
2 Lille låseknep	13 Dæksel til olietank
3 Afrækker	14 Olieindikator
4 Støttehåndtag	15 Rille på savsværd
5 Hånstag	16 Skæreaggregat
6 Bæring	17 Kædeled
7 Skruehætte	18 Kædehjul
8 Forlængerrør	19 Hul til kædespænding
9 Savhoved	20 Låsemøtrik til kædeskærm
10 Kædeskærm	21 Kædespændingsskrue
11 Savsværd	

2 GENERELLE SIKKERHEDSADVARSLER VEDRØRENDE ELVÆRKTØJER

▲ ADVARSEL

Læs alle sikkerhedsadvarsler, vejledninger, billeder og specifikationer, der følger med dette elværktøj. Hvis vejledninger på listen nedenfor ikke følges, kan det føre til elektrisk stød, brand og/eller alvorlige skader.

Gem alle advarsler og instruktioner til fremtidig reference.

Udtrykket "elværktøj" i advarslerne henviser til dit strømforsyret (ledningsforbundet) elværktøj eller batteridrevet (ledningsfri) elværktøj.

3 SAMLING

3.1 PAK MASKINEN UD

▲ ADVARSEL

Sørg for, at samle maskinen korrekt før brug.

▲ ADVARSEL

- Hvis nogle dele er beskadigede, må maskinen ikke bruges.
- Hvis du ikke har alle delene, må maskinen ikke bruges.
- Hvis nogle dele er beskadiget eller mangler, skal du kontakte servicecentret.

1. Åbn pakken.
2. Læs dokumentationen i pakken.
3. Tag alle ikke-monterede dele ud af pakken.
4. Tag maskinen ud af pakken.
5. Bortskaf pakken og emballagen i overensstemmelse med lokale bestemmelser.

3.2 FYLD SMØREMIDLET TIL SAVSVÆRDET OG KÆDEN PÅ MASKINEN

Undersøg mængden af olie i maskinen. Hvis olieniveauet er lavt, skal du fylde smøremidlet til savsværdet og kæden på maskinen på følgende måde.

i VIGTIGT

Brug kun smøremidler til savsværdet og kæden, som er beregnet til dette.

i BEMÆRK

Maskinen leveres uden smøremiddel til savsværdet og kæden.

1. Løsn dækslet til olietanken, og tag det af.
2. Fyld olien i olietanken.
3. Hold øje med olieindikatoren for at sikre, at der ikke kommer skidt i olietanken, når den fyldes op.
4. Sæt dækslet på igen.
5. Stram dækslet.
6. En fuldt fyldt olietank holder til ca. 15-40 minutters driftstid.

i VIGTIGT

Brug ikke snavset, brugt eller forurenede olie. Dette kan beskadige savsværdet og kæden.

3.3 MONTER SAVSVÆRDET OG KÆDEN

Figur 10-14.

1. Tag batteripakken ud af maskinen.
2. Fjern kædeledsmøtrikkerne med skruenøglen.
3. Tag kædeskærmen af.
4. Sæt kædens led i rillen på savsværdet.
5. Sørg for, at savtænderne vender i samme retning, som kæden drejer i.

- Sæt kæden på plads og sørg for, at kæden er bag savsværdet.
- Hold i kæden og savsværdet.
- Sæt klæde rundt om kædehjulet.
- Sørg for, at kædespændingshullet på savsværdet passer korrekt med boltten.
- Sæt kædeskærmen på igen.
- Stram kæden. Se *Juster kædespændingen*.
- Stram møtrikkerne, når kæden er godt spændt.

i BEMÆRK

Hvis du starter motorsaven med en ny kæde, skal du prøve den af i 2-3 minutter. Efter det skal du undersøge spændingen igen, og stram kæden hvis nødvendigt.

3.4 BRUG AF SKULDERREMME

Figur 4.

- Sæt karabinen på bærebøjlen på stangen.
- Tag skulderremmen på.
- Juster stropens længde, så karabinen er ca. en hånds bredde under din højre hofte.

3.5 JUSTER STANGSAVENS LÆNGDE

Figur 3.

- Løs koblingen ved, at dreje den mod uret.
- Træk forlængerstangen ud eller tryk den ind for, at justere stangsavens længde.
- Spænd koblingen.

3.6 JUSTER VINKLEN PÅ STANGSAVENS SAVHOVEDET

Stangsavens savhovedet har to vinkler: 0° og 90°. Stangsavens kan skære lodret og vandret.

Figur 6.

- Løs de to skrue på stangsavens savhovede med skrueøglen.
- Drej stangsavens savhovedet 90°, indtil skrueerne passer ind i skruehullerne på stangen.
- Spænd skrueerne.

3.7 FORBEREDELSE FØR SAVEN TAGES I BRUG

Figur 4.

Inden saven tages i brug, skal du sørge for at

- Bruge kraftige handsker for maksimal greb og beskyttelse.
- Vedligeholde et korrekt greb på maskinen under drift.

- Hold i baghåndtaget med højre hånd, og i stanghåndtaget med venstre hånd.
- Hold kroppen til venstre for kæden.
- Brug aldrig et venstrehåndsgreb (med hænderne på kryds), eller nogen andre grebsformer, der placerer din krop eller arm over kædelinjen.
- Stå aldrig direkte under grenen, du saver i.
- Kontroller regelmæssigt, at spændehåndtagene er ordentligt spændt under drift.

3.8 SÆT BATTERIPAKKEN I

Figur 5.

▲ ADVARSEL

- Hvis batteriet eller opladeren er beskadiget, skal du skifte batteriet eller opladeren.
- Stop maskinen og vent, indtil motoren stopper, før du sætter batteriet i eller tager det ud.
- Læs, forstå og følg instruktionerne i batteri- og opladervejledningen.

- Sæt løfteribberne på batteripakken sammen med rillerne i batterirummet.
- Tryk batteriet ind i batterirummet, indtil batteripakken låses på plads.
- Når du hører et klik, er batteripakken sat i.

3.9 FJERN BATTERIPAKKEN

Figur 5.

- Hold batteriudløserknappen nede.
- Tag batteripakken ud af maskinen.

4 BETJENING

i BEMÆRK

Fjern batteripakken og hold hænderne væk fra låseknappen, når du flytter maskinen.

i VIGTIGT

Undersøg kædespændingen før hver brug.

4.1 UNDERSØG KÆDESMØRINGEN

i BEMÆRK

Brug ikke maskinen uden tilstrækkelig kædesmøring.

Figur 2.

- Undersøg smøringen på olieindikatoren.
- Tilføj mere smøremiddel, hvis nødvendigt.

4.2 START MASKINEN

Figur 7.

1. Sæt batteripakken i maskinen.
2. Tryk på sikkerhedslåseknappen.
3. Træk den lille sikkerhedslåseknop opad.
4. Tryk på udløseren.

4.3 STOP MASKINEN

Figur 7.

1. Slip udløseren for, at stoppe maskinen.

4.4 AFGRENING AF ET TRÆ

Figur 8.

▲ ADVARSEL

Sorg for, at der ikke er noget eller nogen personer i området, hvor grenene falder.

- Stå overfor grenen, som du skal save over.
- Sav først de øverste grene af.
- Sav derefter de efterfølgende grene fra toppen af.
- Sav nedad, så sværdet ikke kommer i klemme.

4.5 AFGRENING

Afgrening er når man fjerner grenene på et fældet træ.

Figur 9.

1. Vent med de store grene for nedden på stamme, så stammen holdes over jorden.
2. Fjern de små grene i et snit.
3. Grene, der er i spænd, skal saves fra bunden og opad.
4. Vent med de store grene for nedden på stammen, så de støtter stammen, indtil den skæres i stykker.

5 VEDLIGEHOLDELSE

▲ FORSIGTIG

Lad ikke bremsevæske, benzin, råoliebaserede materialer røre ved plastdelene. Kemikalier kan forårsage skader på plastik, og gøre den ubrugelig.

▲ FORSIGTIG

Brug ikke stærke opløsningsmidler eller rengøringsmidler på plastikkabinettet eller komponenterne.

▲ ADVARSEL

Tag batteriet ud af maskinen inden vedligeholdelse.

5.1 JUSTER KÆDESPÆNDINGEN

Figur 10.13.14

▲ FORSIGTIG

Brug beskyttelseshandsker i tilfælde, at du rører kæden, savsværdet eller stederne rundt om kæden.

1. Løs kædeskærmen, ved at dreje låsemøtrikken mod uret.

i BEMÆRK

Det er ikke nødvendigt at fjerne kædeskærmen, for at justere kædespændingen.

2. Drej kædespændingsskruen med uret, for at øge kædespændingen.
3. Drej kædespændingsskruen mod uret, for at reducere kædespændingen.
4. Når kæden har den ønskede spænding, skal du stramme kædekappen.

5.2 FILING AF SAVTÆNDERNE

Fil savtænderne, hvis savkæden ikke skærer nemt i træet.

i BEMÆRK

Vi anbefaler at få kæden sletet af et servicecenter, der har en elektrisk slibemaskine.

Figur 15-18.

1. Spænding af kæden.
2. Fil savtænderne med en rund fil, der er 4 mm (5/32") i diameter.
3. Fil toppladen, sidepladen og dybdemåleren med en flad fil.
4. Fil alle savtænderne i de angivne vinkler og i samme længde.

i BEMÆRK

Under processen, skal du

- Holde filen flad med overfladen, der skal slibes.
- Brug midten af filen.
- Tryk let, men fast, når du sliber overfladen.
- Løft filen hver gang du sliber.
- Fil savtænderne på den ene side, og gå derefter videre til den anden side.

Skift kæden hvis:

- Savtændernes længde er mindre end 5 mm.
- Der er for meget plads mellem kædeleddene og nitterne.
- Savhastigheden er langsom
- Kæden er blevet sleben mange gange, uden at savhastigheden bliver bedre. Kæden er slidt.

5.3 VEDLIGEHOLDELSE AF SAVSVÆRDET

Figur 19-20.

i BEMÆRK

Sørg for, at savsværdet regelmæssigt vendes om, så det slides symmetrisk.

1. Smør lejerne på næsekædehjulet (hvis det findes) med sprøjten (medfølger ikke).
2. Rengør rillen på savsværdet med en skrabebrok (medfølger ikke).
3. Rengør smørehullerne.
4. Fjern burre fra kanterne, og jævn savtænderne med en flad fil.

Skift savsværdet hvis:

- Rillen ikke passer med højden af kædeleddene (som aldrig må røre bunden).
- Indersiden af savsværdet er slidt, så kæden læner til den ene side.

6 TRANSPORT OG OPBEVARING

Inden maskinen flyttes, skal du altid

- Tag batteripakken ud af maskinen.
- Hold hænderne væk fra låseknappen.
- Sæt hylsteret på savsværdet og kæden.

Inden maskinen gemmes væk, skal du altid

- Fjern resten af olien fra maskinen.
- Tag batteripakken ud af maskinen.
- Rengør maskinen for alt uønsket materiale.
- Sørg for, at lagerområdet er
 - Utilgængeligt for børn.
 - Væk fra midler, som kan forårsage korrosion, såsom havekemikalier og afslingsssalte.

7 FEJLFINDING

Problem	Mulig årsag	Løsning
Maskinen starter ikke.	Stængerne er ikke samlet ordentligt.	Saml stængerne i overensstemmelse med instruktionerne.
	Låseknappen og udløseren trykkes ikke ned på samme tid.	<ol style="list-style-type: none"> 1. Hold låseknappen nede 2. Tryk på udløseren samtidig med, at du holder låseknappen nede. 3. Slip låseknappen, for at starte maskinen.

Problem	Mulig årsag	Løsning
Sværdet og kæden bliver varme og ryger.	Olietanken er tom.	Fyld olietanken op.
	Afløbsåbningen er tilstoppet.	<ol style="list-style-type: none"> 1. Tag batteripakken ud. 2. Rengør afladningsporten for skidt.
	Indløbsåbningen på den indre olietank er tilstoppet.	<ol style="list-style-type: none"> 1. Rengør olietanken. 2. Fyld den med ren smøremiddel til sværdet og kæden.
Sværdet og kæden bliver for varme, og kan ikke save.	Kæden er for stram eller løs.	Se afsnittet Juster kædespændingen i vejledningen.
	Kæden er døv.	Slib eller skift kæden.
	Kæden er sat omvendt på.	Tag kæden af og vend den i den rigtige retning.
Motoren kører, men kæden saver ikke rigtigt, eller motoren stopper efter ca. 3 sekunder.	Hvis maskinen belastes for meget under brug, stopper den.	<ol style="list-style-type: none"> 1. Slip udløseren. 2. Start maskinen igen.
	Kæden er ikke smurt.	Smør kæden, for at mindske gnidningsmodstanden.

8 TEKNISKE DATA

Spænding	82 V DC
Hasthastighed uden belastning	20.5 m/s
Savsværdets længde	250 mm
Kædeoliekapacitet	150 ml
Vægt (uden batteripakke)	5.35 kg
Målt lydtrykkniveau	$L_{pA} = 83$ dB(A), $K_{pA} = 3$ dB(A)
Garanteret lydteknisk niveau	$L_{WA,d} = 99$ dB (A)
Vibration	< 2.5 m/s ² , $K = 1.5$ m/s ²

Kæde	25AP058X
Savsværd	100SDAA041(509877)
Batterimodel	82V180, 82V290P, 82V360, 82V580P og andre BAB serier
Opladermodel	82C6 og andre BAB serier
IPX	IPX4

Certifikatnummer til EF-typeafprøvning: Udstedt af SGS Fimko Ltd (0598), Takomotie 8, FI-00380 Helsinki, Finland.

Sted, dato: Malmö,
11.11.2021

Underskrift: Ted Qu, kvalitetsdirektør

Ted Qu

9 EF- OVERENSSTEMMELSESERKLÆRING

Navn og adresse på fabrikanten:

Navn: GLOBGRO AB
Globe Group Europe
Adresse: Riggaregatan 53, 211 13 Malmö, Sverige

Navn og adresse på den person, der er bemyndiget til at udarbejde den tekniske fil:

Navn: Micael Johansson
Adresse: Riggaregatan 53, 211 13 Malmö, Sverige

Heraf erklærer vi, at produktet

Kategori: Stangsav
Model: 82PST39(PSB402)
Serienummer: Se typeskiltet på produktet
Produktionsår: Se typeskiltet på produktet

- er i overensstemmelse med de relevante bestemmelser i maskindirektivet 2006/42/EF.
- er i overensstemmelse med bestemmelserne i følgende andre EF-direktiver:
 - 2014/30/EU
 - 2000/14/EC & 2005/88/EC
 - 2011/65/EU & (EU) 2015/863

Desuden erklærer vi, at følgende (dele/klausuler fra) europæiske harmoniserede standarder er blevet brugt:

- EN 60745-1, EN ISO 11680-1, EN 55014-1, EN 55014-2, EN ISO 3744, ISO 11094, IEC 62321-3-1, IEC 62321-4, IEC 62321-5, IEC 62321-6, IEC 62321-7-1, IEC 62321-7-2, IEC 62321-8

Målt lydeffektniveau L_{WA} : 95.7 dB(A)

Garanteret lydeffektniveau: $L_{WA,d}$: 99 dB(A)

Overensstemmelsesvurderingsmetode til bilag V direktiv 2000/14/EF.

1	Opis.....	81	4	Działanie.....	82
1.1	Cel.....	81	4.1	Sprawdź nasmarowanie łańcucha.....	83
1.2	Informacje ogólne.....	81	4.2	Włącz urządzenie.....	83
2	Ogólne ostrzeżenia dotyczące elektronarzędzi.....	81	4.3	Wyłącz urządzenie.....	83
3	Instalowanie.....	81	4.4	Okrzesywanie drzewa.....	83
3.1	Rozpakuj urządzenie.....	81	4.5	Okrzesywanie gałęzi drzew.....	83
3.2	Dodaj smaru do prowadnicy i łańcucha.....	81	5	Konserwacja.....	83
3.3	Montaż prowadnicy i łańcucha.....	82	5.1	Ustaw napięcia łańcucha.....	83
3.4	Używaj paska na ramię.....	82	5.2	Ostrzenie ostrzy.....	83
3.5	Ustaw długość piły na wysięgniku.....	82	5.3	Konserwacja prowadnicy.....	84
3.6	Ustaw kąt głowicy piły na wysięgniku.....	82	6	Transport i przechowywanie.....	84
3.7	Przygotowanie do cięcia.....	82	7	Rozwiązywanie problemów.....	84
3.8	Zainstalować akumulator.....	82	8	Dane techniczne.....	85
3.9	Wyjmij akumulator.....	82	9	Deklaracja zgodności WE.....	85

1 OPIS

1.1 CEL

Urządzenie jest wyposażone w akcesoria tnące zamontowane na słupku, by umożliwić operatorowi przycinanie gałęzi stojących drzew. Nie jest przeznaczone do cięcia drewna tak jak piłą.

Urządzenia nie powinny używać osoby (w tym dzieci) o ograniczonym zrozumieniu, ani osoby bez odpowiedniego doświadczenia lub wiedzy, chyba że opiekun odpowiedzialny za ich bezpieczeństwo nadzoruje wykonywane przez nie czynności lub poinstruował je wcześniej odnośnie obsługi urządzenia.

Dzieci powinny być nadzorowane, aby nie bawiły się urządzeniem.

1.2 INFORMACJE OGÓLNE

Rysunek 1-20.

- | | | | |
|----|-----------------------------|----|-------------------------------------|
| 1 | Przycisk odblokowujący | 12 | Łańcuch pilarki |
| 2 | Mały przycisk odblokowujący | 13 | Korek zbiornika oleju |
| 3 | Spust | 14 | Wskaźnik oleju |
| 4 | Uchwyt pomocniczy | 15 | Szyna prowadnicy |
| 5 | Uchwyt pilarki | 16 | Nóż |
| 6 | Pierścień do przenoszenia | 17 | Ogniwa łańcucha |
| 7 | Nasadka śruby | 18 | Zębatka |
| 8 | Tyczka teleskopowa | 19 | Otwór napięcia łańcucha |
| 9 | Głowica pilarki | 20 | Nakrętka blokująca pokrywę łańcucha |
| 10 | Pokrywa łańcucha | 21 | Śruba ustawiania napięcia łańcucha |
| 11 | Prowadnica | | |

2 OGÓLNE OSTRZEŻENIA DOTYCZĄCE ELEKTRONARZĘDZI

▲ OSTRZEŻENIE

Należy przeczytać wszystkie ostrzeżenia i instrukcje oraz zapoznać się ze specyfikacją i ilustracjami dostarczonymi wraz z elektronarzędziem. Niezastosowanie się do wszystkich podanych poniżej instrukcji może spowodować porażenie prądem, pożar i/lub ciężkie obrażenia.

Załączoną instrukcję ze wskazówkami należy zachować na przyszłość.

Termin „elektronarzędzie” w ostrzeżeniach odnosi się do zasilanego siecią (przewodowo) lub BATERIĄ (beprzewodowo) elektronarzędzia.

3 INSTALOWANIE

3.1 ROZPAKUJ URZĄDZENIE

▲ OSTRZEŻENIE

Upewnij się, że urządzenie zostało poprawnie złożone przed użyciem.

▲ OSTRZEŻENIE

- Jeśli części są uszkodzone, nie używać urządzenia.
- Jeśli brakuje części, nie używać urządzenia.
- Jeśli części są uszkodzone, lub brakuje części, zgłoś się do punktu serwisowego.

1. Otwórz opakowanie.
2. Przeczytaj dokumentację w pudełku.
3. Wyjmij wszystkie niezłożone części z pudełka.
4. Wyjmij urządzenie z pudełka.
5. Wyrzuć pudełko i opakowanie zgodnie z lokalnymi rozporządzeniami.

3.2 DODAJ SMARU DO PROWADNICZY I ŁAŃCUCHA

Sprawdź ilość oleju w urządzeniu. Jeśli poziom oleju jest niski, dodaj smaru do prowadnicy i łańcucha, zgodnie z poniższym.

i WAŻNE

Użyj tylko smaru przewidzianego do smarowniczek do prowadnicy i łańcucha.

i UWAGA

Urządzenie nie jest dostarczone ze smarem do prowadnicy ani do łańcucha.

1. Poluzować i zdjąć zakrętkę ze zbiornika oleju.
2. Dolej oleju do pojemnika na olej.
3. Sprawdź wskaźnik oleju, by upewnić się, że w zbiorniku na olej nie ma żadnych zanieczyszczeń podczas dodawania oleju.
4. Włóż zakrętkę.
5. Dokręć zakrętkę.
6. Całkowicie napełniony olejem zbiornik wystarczy na 15-40 minut działania.

i WAŻNE

Nie używaj brudnych, zużytych lub zanieczyszczonych olejów. Może to uszkodzić prowadnicę lub łańcuch.

3.3 MONTAŻ PROWADNICZY I ŁAŃCUCHA

Rysunek 10-14.

1. Wyjmij akumulator z urządzenia.
2. Wyjmij Nakrętki pokrywy łańcucha za pomocą klucza.
3. Zdejmij pokrywę łańcucha.
4. Umieść ogniwa łańcucha w szczelinie prowadnicy.
5. Umieść ostrza łańcucha w kierunku działania łańcucha.
6. Umieść łańcuch w miejscu i upewnij się, że pętla znajduje się za prowadnicą.
7. Przytrzymaj łańcuch i prowadnicę.
8. Umieść pętlę łańcucha wokół zębátky.
9. Upewnij się, że otwór napięcia łańcucha na prowadnicy jest dopasowany do śruby.
10. Załóż pokrywę łańcucha.
11. Dokręć łańcuch. Zapoznaj się *Ustaw napięcia łańcucha*.
12. Przykręć nakrętki, gdy łańcuch jest dobrze napięty.

i UWAGA

Jeśli uruchamiasz pilarkę z nowym łańcuchem, przetestuj przez 2-3 minuty. Następnie sprawdź ponownie napięcie i dokręć łańcuch, jeśli jest to konieczne.

3.4 UŻYWAJ PASKA NA RAMIĘ.

Rysunek 4.

1. Przymocuj karabinek do pierścienia do noszenia na tycze.
2. Włóż pasek na ramię.
3. Ustaw długość paska, tak by karabinek znajdował się poniżej Twoim prawym biodrem w odległości mniej więcej ręki.

3.5 USTAW DŁUGOŚĆ PIŁY NA WYSIĘGNIKU

Rysunek 3.

1. Poluzuj kołnierz, obracając go w kierunku przeciwnym do ruchu wskazówek zegara.
2. Pociągnij wysięgnik do góry lub do tyłu, aby ustawić długość piły.
3. Dokręć kołnierz.

3.6 USTAW KĄT GŁOWICY PIŁY NA WYSIĘGNIKU

Głowica piły na wysięgniku ma dwa kąty: 0° lub 90°, piła na wysięgniku może ciąć pionowo lub poziomo.

Rysunek 6.

1. Poluzuj dwie śruby na głowicy piły wysięgnikowej za pomocą klucza.

2. Obracaj głowicę piły wysięgnikowej o 90°, aż śruby wejdą w otwory na śruby na wysięgniku.
3. Dokręć śruby.

3.7 PRZYGOTOWANIE DO CIĘCIA

Rysunek 4.

Zanim rozpoczniesz cięcie upewnij się, że

- Noś solidne rękawice dla maksymalnego chwytu i ochrony.
- Zachowaj właściwy uchwyt urządzenia podczas działania.
 - Używaj prawej ręki, by chwycić tylny uchwyt i lewej ręki, by chwycić wał drążka.
 - Ustaw się po lewej stronie łańcucha.
 - Nigdy nie chwytaj krzyżując ręce i nie stawaj w pozycji, w której ciało lub ramiona znajdują się w poprzek łańcucha.
- Nigdy nie stawaj bezpośrednio pod ciętą gałęzią.
- Okresowo kontroluj, czy kołnierze nie poluzowały się podczas działania.

3.8 ZAINSTALOWAĆ AKUMULATOR.

Rysunek 5.

▲ OSTRZEŻENIE

- Jeśli akumulator lub ładowarka są uszkodzone, wymień je.
- Wyłącz urządzenie i odczekaj, aż silnik zatrzyma się zanim zainstalujesz lub wyjmiesz akumulator.
- Przeczytaj, zapoznaj się i wykonuj instrukcje w podręczniku akumulatora i ładowarki.

1. Wyrównaj wzmocnione prowadnice z rowkami w schowku na baterie.
2. Włóż akumulator do schowka na baterie aż do zablokowania się w miejscu.
3. Akumulator jest zainstalowany, jeśli usłyszysz kliknięcie.

3.9 WYJMIJ AKUMULATOR.

Rysunek 5.

1. Popchnij i przytrzymaj przycisk zwolnienia akumulatora.
2. Wyjmij akumulator z urządzenia.

4 DZIAŁANIE

i UWAGA

Wyjmij akumulator i nie wkładaj rąk do przycisku odblokowania, gdy przenosisz urządzenie.

i WAŻNE

Przeprowadź kontrolę napięcia łańcucha przed każdym użyciem.

4.1 SPRAWDŹ NASMAROWANIE ŁAŃCUCHA.

i UWAGA

Nie używaj urządzenia, jeśli łańcuch nie jest wystarczająco nasmarowany.

Rysunek 2.

1. Sprawdź poziom smaru na wskaźniku oleju.
2. Dodaj więcej smaru, jeśli jest to konieczne.

4.2 WŁĄCZ URZĄDZENIE

Rysunek 7.

1. Zainstaluj akumulator w urządzeniu.
2. Wcisnąć przycisk blokady bezpieczeństwa.
3. Pociągnij w górę mały przycisk blokowania.
4. Wcisnąć spust.

4.3 WYŁĄCZ URZĄDZENIE

Rysunek 7.

1. Zwolnienie spustu zatrzymuje pracę urządzenia.

4.4 OKRZESYWANIE DRZEWA

Rysunek 8.

▲ OSTRZEŻENIE

Upewnij się, że żadne przedmioty ani osoby nie znajdują się w strefie, gdzie spadają gałęzie.

- Stań naprzeciw gałęzi, którą będziesz ciąć.
- Rozpoczynaj cięcie od najwyższej położonych gałęzi.
- Następnie obcinaj niżej położone gałęzie.
- Tnij w dół, by uniknąć zakleszczenia prowadnicy.

4.5 OKRZESYWANIE GAŁĘZI DRZEW

Okrzesywanie polega na usuwaniu gałęzi z obalonego drzewa.

Rysunek 9.

1. Pozostaw szerokie, dolne gałęzie, by utrzymywać kłodę nad ziemią.
2. Usuń małe gałęzie jednym cięciem.
3. Usuwaj gałęzie pod napięciem od dołu do góry.
4. Zachowaj szerokie, dolne gałęzie jako podpora do zakończenia okrzesywania.

5 KONSERWACJA

▲ PRZESTROGA

Uważaj, by płyny hamulcowe, benzyna oraz materiały, w których składa wchodzi ropa naftowa nie dotykały plastikowych części. Środki chemiczne mogą uszkodzić tworzywo sztuczne i sprawić, że będzie nieużyteczne.

▲ PRZESTROGA

Nie używaj silnych rozpuszczalników ani detergentów na plastikowej obudowie lub elementach.

▲ OSTRZEŻENIE

Wyjmij akumulator z urządzenia przed konserwacją.

5.1 USTAW NAPIĘCIA ŁAŃCUCHA.

Rysunek 10.13.14

▲ PRZESTROGA

Noś rękawice ochronne, jeśli dotykasz łańcucha, prowadnicy lub miejsc wokół łańcucha.

1. Poluźnij pokrywę łańcucha przekręcając nakrętkę blokującą pokrywę łańcucha w kierunku przeciwnym do ruchu wskazówek zegara.

i UWAGA

Aby ustawić napięcie łańcucha, wyjęcie łańcucha nie jest potrzebne.

2. Przekręć śrubę ustawiania łańcucha w kierunku zgodnym z ruchem wskazówek zegara, by zwiększyć napięcie łańcucha.
3. Przekręć śrubę ustawiania łańcucha w kierunku przeciwnym do ruchu wskazówek zegara, by zmniejszyć napięcie łańcucha.
4. Gdy napięcie łańcucha jest odpowiednie, należy poluzować pokrywę łańcucha.

5.2 OSTRZENIE OSTRZY

Naostrz ostrza, jeśli łańcuch zbyt ciężko wchodzi w drewno.

i UWAGA

Zalecamy skorzystanie z usług punktu serwisowego zaopatrzonego w elektryczną ostrzałkę do wykonania ważnych czynności ostrzenia.

Rysunek 15-18..

1. Ustawianie napięcia łańcucha.
2. Naostrz róg ostrza okrągłym pilnikiem o średnicy 4 mm.
3. Naostrz górną i boczną płytę oraz kontrolkę głębokości za pomocą płaskiego pilnika.
4. Spiluj wszystkie ostrza do określonego kąta i takiej samej długości.

i UWAGA

Podczas działania,

- Przytrzymaj pilnik płasko przy powierzchni, którą chcesz naostrzyć.
- Użyj punktu środkowego paska pilnika.
- Zastosuj lekki ale silny nacisk podczas ostrzenia powierzchni.
- Unieś pilnik po każdym powrotnym skoku.
- Naostrz ostrza z jednej strony a następnie przejdź na drugą stronę.

Wymień łańcuch, jeśli:

- Długość krawędzi tnących jest mniejsza od 5 mm.
- Pomiędzy ogniwami i nitami jest zbyt dużo przestrzeni.
- Prędkość cięcia jest zbyt wolna
- Po wielokrotnym ostrzeniu łańcucha prędkość cięcia nie zwiększa się. Łańcuch jest zużyty.

5.3 KONSERWACJA PROWADNICY

Rysunek 19-20.

i UWAGA

Zapewnij okresowe przekręcanie, by utrzymać symetryczne zużycie pręta.

1. Naoliw łożyska koła zębatego (jeśli jest) za pomocą strzykawki (do zakupienia osobno).
2. Wyczyść szczelinę prowadnicy za pomocą haka skrobiącego (do zakupienia osobno).
3. Wyczyść otwory smarownicze.
4. Usuń zadziory z krawędzi i wyrównaj ostrza z płaskim pilnikiem.

Wymień prowadnicę, jeśli:

- szczelina nie pasuje do wysokości ogniw (które nie mogą nigdy dotykać spodu).
- wewnątrz prowadnicy jest zużyte i sprawia, że łańcuch przechyla się w jedną stronę.

6 TRANSPORT I PRZECHOWYWANIE

Przed ruszaniem urządzenia, zawsze

- Wyjmij akumulator z urządzenia.
- Nie zbliżaj rąk do przycisku odblokowania.
- Załóż pokrowiec na prowadnicę i łańcuch.

Przed przechowywaniem urządzenia, zawsze

- Usuń wszystkie pozostałości z urządzenia.
- Wyjmij akumulator z urządzenia.
- Usuń wszystkie niepożądane materiały z urządzenia.
- Upewnij się, że obszar przechowywania jest
 - poza zasięgiem dzieci.

- z dala od czynników, które mogą spowodować korozję, np. ogrodnicze środki chemiczne oraz sole rozmrzające.

7 ROZWIĄZYWANIE PROBLEMÓW

Problem	Możliwa przyczyna	Rozwiązanie
Urządzenie nie włącza się.	Tyczki nie są poprawnie włożone.	Włóż tyczki zgodnie z instrukcjami.
	Przycisk odblokowania i spust nie zostały wciśnięte jednocześnie.	<ol style="list-style-type: none"> 1. Popchnij i przytrzymaj przycisk odblokowania. 2. Pociągnij spust przytrzymując jednocześnie przycisk odblokowania. 3. Zwolnij przycisk odblokowania, by uruchomić urządzenie.
Prowadnica i łańcuch nagrzewają się i dymią	Zbiornik na olej jest pusty.	Napełnij zbiornik na olej.
	Wylot jest zablokowany.	<ol style="list-style-type: none"> 1. Wyjmij akumulator. 2. Z otworu wyrzutowego należy usunąć brud.
	Otwór wlotu wnętrza zbiornika na olej jest zablokowany.	<ol style="list-style-type: none"> 1. Wyczyść zbiornik na olej. 2. Napełnij czystym smarem prowadnicę i łańcuch.
	Zębata jest zablokowana i zapchana odpadami.	<ol style="list-style-type: none"> 1. Wyczyść zębatkę. 2. Napełnij czystym smarem prowadnicę i łańcuch.

PL

Problem	Możliwa przyczyna	Rozwiązanie
Prowadnica i łańcuch nagrzewają się i nie mogą ciąć	Napięcie łańcucha jest zbyt mocne lub zbyt luźne.	Przeczytaj część Ustaw napięcia łańcucha w instrukcji.
	Łańcuch jest stępiony.	Naostrz lub wymień łańcuch.
	Łańcuch jest założony odwrotnie.	Wymij łańcuch i obróć go w odpowiednim kierunku.
Silnik działa ale łańcuch nie tnie poprawnie lub silnik zatrzymuje się po 3 sekundach.	Gdy używasz urządzenia z obciążeniem, zatrzymaj się.	1. zwolnij spust. 2. Włącz ponownie urządzenie.
	Łańcuch nie jest naładowany.	Nasmaruj łańcuch, by zmniejszyć tarcie.

8 DANE TECHNICZNE

Napięcie	82 V DC
Prędkość bez obciążenia	20.5 m/s
Długość prowadnicy	250 mm
Pojemność zbiornika oleju	150 ml
Waga (bez akumulatora)	5.35 kg
Mierzony poziom ciśnienia akustycznego	$L_{pA} = 83 \text{ dB(A)}$, $K_{pA} = 3 \text{ dB(A)}$
Gwarantowany poziom mocy akustycznej	$L_{wA,d} = 99 \text{ dB(A)}$
Drgania	$< 2.5 \text{ m/s}^2$, $K = 1,5 \text{ m/s}^2$
Łańcuch	25AP058X
Prowadnica	100SDAA041(509877)
Model akumulatora	82V180, 82V290P, 82V360, 82V580P i inne serie BAB
Model ładowarki	82C6 i inne serie CAB
IPX	IPX4

9 DEKLARACJA ZGODNOŚCI WE

Nazwa i adres producenta:

Imię i nazwisko: GLOBGRO AB

Globe Group Europe

Adres: Riggaregatan 53, 211 13 Malmö, Sweden/Szwecja

Nazwisko i adres osoby upoważnionej do sporządzenia dokumentacji technicznej:

Imię i nazwisko: Micael Johansson

Adres: Riggaregatan 53, 211 13 Malmö, Sweden/Szwecja

My niżej podpisani oświadczamy, że produkt

Kategoria: Pilarka

Model: 82PST39(PSB402)

Numer seryjny: Zobacz tabliczkę znamionową na produkcie

Rok produkcji: Zobacz tabliczkę znamionową na produkcie

- jest zgodny z odpowiednimi przepisami Dyrektyw w sprawie maszyn 2006/42/WE.
- spełnia wymogi określone w następujących innych dyrektywach europejskich:
 - 2014/30/UE
 - 2000/14/WE i 2005/88/WE
 - 2011/65/UE i (EU)2015/863

Ponadto oświadczamy, że użyto następujących (elementów/klauzul) zharmonizowanych norm europejskich:

- EN 60745-1, EN ISO 11680-1, EN 55014-1, EN 55014-2, EN ISO 3744, ISO 11094, IEC 62321-3-1, IEC 62321-4, IEC 62321-5, IEC 62321-6, IEC 62321-7-1, IEC 62321-7-2, IEC 62321-8

Zmierzony poziom mocy akustycznej: $L_{wA} = 95.7 \text{ dB(A)}$

Gwarantowany poziom mocy akustycznej: $L_{wA,d} = 99 \text{ dB(A)}$

Metoda oceny zgodności w Aneksie V Dyrektywy 000/14/WE.

Numer certyfikatu zgodności typu EC: wydany przez SGS Fimko Ltd (0598), Takomotie 8, FI-00380 Helsinki, Finland.

Miejsce, data: Malmö, Podpis: Ted Qu, Dyrektor ds jakości 11.11.2021

Ted Qu

1	Popis.....	87	4	Obsluha.....	88
1.1	Účel.....	87	4.1	Zkontrolujte mazání řetězu.....	88
1.2	Popis.....	87	4.2	Spuštění stroje.....	88
2	Obecná bezpečnostní varování pro práci s elektrickým nářadím... 87		4.3	Zastavení stroje.....	89
3	Instalace..... 87		4.4	Odvětvování stromu.....	89
3.1	Rozbalení zařízení.....	87	4.5	Odvětvování větví stromů.....	89
3.2	Doplňování maziva pro lištu a řetěz.....	87	5	Údržba..... 89	
3.3	Montáž vodící lišty a řetězu.....	87	5.1	Nastavení napnutí řetězu.....	89
3.4	Použití ramenního popruhu.....	88	5.2	Naostření zubů.....	89
3.5	Nastavení délky tyčové pily.....	88	5.3	Údržba vodící lišty.....	89
3.6	Nastavte úhel hlavice tyčové pily.....	88	6	Přeprava a skladování..... 90	
3.7	Příprava na řezání.....	88	7	Řešení problémů..... 90	
3.8	Instalace akumulátoru.....	88	8	Technické údaje..... 90	
3.9	Vyjmutí akumulátoru.....	88	9	ES prohlášení o shodě..... 91	

1 POPIS

1.1 ÚČEL

Výrobek je opatřen řezným nástavcem přichyceným na tyči, který umožňuje obsluhu stroje řezat větve porostů, ale není určen pro řezání dřeva jako normální motorová pila.

Zařízení není určeno pro používání osobami (včetně dětí) s nedostatkem zkušeností a znalostí, pokud tyto osoby nejsou pod dohledem nebo nejsou řádně poučeny odpovědnou osobou o bezpečném používání zařízení.

Dohlédněte na děti, aby si se zařízením nehrály.

1.2 POPIS

Obrázek 1-20.

- | | | | |
|----|-------------------------|----|------------------------------|
| 1 | Blokovací tlačítko | 13 | Uzávěr olejové nádrže |
| 2 | Malé uzamykací tlačítko | 14 | Indikátor hladiny oleje |
| 3 | Spouštěč | 15 | Drážka vodicí lišty |
| 4 | Pomocná rukojeť | 16 | Nůž |
| 5 | Rukojeť tyčové pily | 17 | Hnací články řetězu |
| 6 | Nosný kroužek | 18 | Rozeta |
| 7 | Šroubovací uzávěr | 19 | Otvor napinacího čepu řetězu |
| 8 | Prodlužovací tyč | 20 | Pojistná matice krytu řetězu |
| 9 | Hlavice tyčové pily | 21 | Šroub napnutí řetězu |
| 10 | Kryt řetězu | | |
| 11 | Vodicí lišta | | |
| 12 | Pilový řetěz | | |

2 OBECNÁ BEZPEČNOSTNÍ VAROVÁNÍ PRO PRÁCI S ELEKTRICKÝM NÁŘADÍM

▲ VAROVÁNÍ

Přečtěte si všechna bezpečnostní varování, pokyny, ilustrace a technické údaje dodané s tímto elektrickým nářadím. Nedodržení níže uvedených pokynů může mít za následek úraz elektrickým proudem, požár anebo vážný úraz.

Všetchna varování a pokyny si uschovejte pro budoucí použití.

Termín „elektrické nářadí“ ve varováních odkazuje na vaše elektrické (s kabelem) nebo akumulátorové (bez kabelu) elektrické nářadí.

3 INSTALACE

3.1 ROZBALENÍ ZAŘÍZENÍ

▲ VAROVÁNÍ

Před použitím se ujistěte, že jste stroj správně sestavili.

▲ VAROVÁNÍ

- Pokud jsou součásti stroje poškozené, stroj nepoužívejte.
- Pokud nemáte všechny součásti, nepoužívejte stroj.
- Pokud jsou součásti poškozené nebo chybějící, obraťte se na servisní středisko.

1. Otevřete obal.
2. Přečtěte si dokumentaci přiloženou v krabici.
3. Vyměňte z krabice všechny nesestavené součásti.
4. Vyměňte stroj z obalu.
5. Zlikvidujte krabici a obal v souladu s místními předpisy.

3.2 DOPLŇOVÁNÍ MAZIVA PRO LIŠTU A ŘETĚZ

Zkontrolujte množství oleje v stroji. Pokud je hladina oleje nízká, přidejte mazivo pro lištu a řetěz následujícím způsobem.

i DŮLEŽITÉ

Použijte pouze mazivo pro lištu a řetěz.

i POZNÁMKA

Stroj se dodává s tovární bez maziva pro lištu a řetěz.

1. Odšroubujte a vyjměte uzávěr z olejové nádrže.
2. Nalijte olej do olejové nádrže.
3. Sledujte indikátor hladiny oleje, abyste se ujistili, že v olejové nádrži není žádná špina při přidávání oleje.
4. Zašroubujte uzávěr olejové nádrže.
5. Utáhněte uzávěr olejové nádrže.
6. Zcela naplněná olejová nádrž vydrží 15 - 40 minut provozu.

i DŮLEŽITÉ

Nepoužívejte špinavý, použitý nebo znečištěný olej. Může dojít k poškození lišty nebo řetězu.

3.3 MONTÁŽ VODICÍ LIŠTY A ŘETĚZU

Obrázek 10-14.

1. Vyměňte akumulátor ze stroje.
2. Odmontujte klíčem šrouby krytu řetězu.
3. Sejměte kryt řetězu.
4. Umístěte hnací články řetězu do drážky vodicí lišty.
5. Zuby řetězu položte ve směru chodu řetězu.
6. Umístěte řetěz na místo a ujistěte se, že je smyčka za vodicí lištou.
7. Přidržte řetěz a lištu.

8. Nasadíte smyčku řetězu kolem rozety.
9. Ujistěte se, že otvor pro napínací kolík řetězu na vodící liště správně zapadá do šroubu.
10. Namontujte kryt řetězu.
11. Napněte řetěz. Viz *Nastavení napnutí řetězu*.
12. Po řádném napnutí řetězu utáhněte šrouby.

i POZNÁMKA

Pokud spustíte řetězovou pilu s novým řetězem, proveďte test po dobu 2-3 minut. Poté znovu zkontrolujte napnutí a v případě potřeby řetěz napněte.

3.4 POUŽITÍ RAMENNÍHO POPRUHU

Obrázek 4.

1. Připojte karabinu k nosnému kroužku na tyči.
2. Nasadíte si ramenní popruh.
3. Nastavte délku popruhu tak, aby karabina byla podélně ruky pod pravým bokem.

3.5 NASTAVENÍ DÉLKY TYČOVÉ PILY

Obrázek 3.

1. Uvolněte objímku otočením proti směru hodinových ručiček.
2. Vytažením prodlužovací tyče nahoru nebo dozadu nastavte délku tyčové pily.
3. Utáhněte objímku.

3.6 NASTAVTE ÚHEL HLAVICE TYČOVÉ PILY

Hlavice tyčové pily má dva úhly: 0° nebo 90°, tyčová pila může řezat svisle nebo vodorovně.

Obrázek 6.

1. Povolte dva šrouby na hlavici tyčové pily pomocí klíče.
2. Otočením hlavice tyčové pily o 90°, dokud šrouby nezapadnou do otvorů pro šrouby na tyči.
3. Utáhněte šrouby.

3.7 PŘÍPRAVA NA ŘEZÁNÍ

Obrázek 4.

Než začnete řezat, ujistěte se, že

- pro dosažení maximální pevnosti úchopu a ochrany používáte protiskluzové rukavice.
- máte správné uchopení stroje během provozu.
 - Pravou rukou uchopíte zadní rukojeť, zatímco levá ruka drží tyč.
 - Udržujte své tělo nalevo od linie řetězu.

- Nikdy nepoužívejte levoruký (křížový) úchop a nestůjte tak, aby bylo vaše tělo nebo paže umístěna napříč linií řetězu.
- Nikdy nestůjte přímo pod řezanou větví.
- Pravidelně kontrolujte dotažení manžet během provozu.

3.8 INSTALACE AKUMULÁTORU

Obrázek 5.

▲ VAROVÁNÍ

- Pokud je akumulátor nebo nabíječka poškozena, vyměňte akumulátor nebo nabíječku.
- Před instalací nebo vyjmutím akumulátoru zastavte motor a počkejte, až se zastaví.
- Přečtěte si, obeznamte se a dodržujte pokyny uvedené v příručce pro akumulátor a nabíječku.

1. Zarovnejte žebra na akumulátoru s drážkami v přihrádce pro akumulátor.
2. Zatlačte akumulátor do přihrádky pro akumulátor, dokud nezapadne na místo.
3. Když uslyšíte cvaknutí, akumulátor je nainstalován.

3.9 VYJMUTÍ AKUMULÁTORU

Obrázek 5.

1. Stiskněte a podržte tlačítko pro uvolnění akumulátoru.
2. Vyjměte akumulátor ze stroje.

4 OBSLUHA

i POZNÁMKA

Při přesunování stroje vyjměte akumulátor a nedotýkejte se spínače.

i DŮLEŽITÉ

Před každým použitím zkontrolujte napnutí řetězu.

4.1 ZKONTROLUJTE MAZÁNÍ ŘETĚZU.

i POZNÁMKA

Nepoužívejte stroj bez dostatečného mazání řetězu.

Obrázek 2.

1. Zkontrolujte hladinu maziva ve stroji podle indikátoru oleje.
2. Pokud je nutné, přidejte mazivo.

4.2 SPUŠTĚNÍ STROJE

Obrázek 7.

1. Nainstalujte akumulátor do stroje.

2. Jednou rukou stlačte mikrosypáče na přední rukojeti.
3. Potáhněte malé bezpečnostní blokovací tlačítko nahoru.
4. Zmáčkněte spouštěče.

4.3 ZASTAVENÍ STROJE

Obrázek 7.

1. Uvolněte spoušť pro zastavení stroje.

4.4 ODVĚTVOVÁNÍ STROMU

Obrázek 8.

▲ VAROVÁNÍ

Ujistěte se, že v oblasti, kde dopadají větve, není nikdo.

- Postavte se proti větví, kterou budete řezat.
- Začněte řezat dolní část větve.
- Pak odřízněte vrchní část větve.
- Řežte směrem dolů, aby se zabránilo uvíznutí lišty.

4.5 ODVĚTVOVÁNÍ VĚTVÍ STROMŮ

Odvětvování je odstraňování větví z pokáceného stromu.

Obrázek 9.

1. Ponechejte větší dolní větve, aby držely kládu nad zemí.
2. Odstraňte malé větve jedním řezem.
3. Odstraňujte napnuté větve zdola nahoru.
4. Ponechte si větší dolní větve jako podpěru až do odvětvení klády.

5 ÚDRŽBA

▲ UPOZORNĚNÍ

Nedovolte, aby brzdové kapaliny, benzín nebo materiály na bázi ropy přišly do kontaktu s plastovými díly. Chemikálie mohou způsobit poškození plastů a znemožnit jejich použití.

▲ UPOZORNĚNÍ

Na plastovém pouzdru nebo součástech nepoužívejte silná rozpouštědla ani čisticí prostředky.

▲ VAROVÁNÍ

Před údržbou vyjměte akumulátor ze stroje.

5.1 NASTAVENÍ NAPNUTÍ ŘETĚŽU

Obrázek 10.13.14

▲ UPOZORNĚNÍ

Používejte ochranné rukavice, když se dotýkáte řetězu, lišty nebo oblastí kolem řetězu.

1. Povolte kryt řetězu otáčením kontramaticy krytu řetězu proti směru hodinových ručiček.

i POZNÁMKA

Není nutné demontovat kryt řetězu pro nastavení napnutí řetězu.

2. Otočte nastavovacím šroubem směru hodinových ručiček pro zvýšení napnutí řetězu.
3. Otočte nastavovacím šroubem proti směru hodinových ručiček pro snížení napnutí řetězu.
4. Když má řetěz požadované napnutí, utáhněte kryt řetězu.

5.2 NAOŠTŘENÍ ZUBŮ

Pokud řetěz do dřeva neproniká snadno, naostřete zuby.

i POZNÁMKA

Doporučujeme využít služby vašeho prodejce, který má elektrickou brusku k provedení důležitého naostření.

Obrázek 15-18.

1. Napínání řetězu.
2. Ostřete zuby kulatým pilníkem o průměru 4,5 mm.
3. Horní desku, boční desku a hloubkový doraz ostřete plochým pilníkem.
4. Zabruste všechny zuby do stanovených úhlů a stejné délky.

i POZNÁMKA

Během ostření,

- Pilník držte rovně s povrchem, který chcete nabrousit.
- Použijte střední bod pilníkového listu.
- Při broušení povrchu používejte lehký, ale pevný tlak.
- Při každém zpětném tahu pilník zvedněte.
- Naostřete zuby na jedné straně a poté se přesuňte na druhou stranu.

Vyměřte řetěz, pokud:

- Délka řezných břitů je menší než 5 mm.
- Mezi hnacími články a nýty je příliš velký prostor.
- Rychlost řezání je pomalá.
- Mnohočetné opakování ostření řetězu nezvyšuje rychlost řezání. Řetěz je opotřebovaný.

5.3 ÚDRŽBA VODICÍ LIŠTY

Obrázek 19-20.

i POZNÁMKA

Ujistěte se, že se vodicí lišta pravidelně obrací, aby se zachovalo její symetrické opotřebení.

1. Promažte ložiska na nosu lišty (pokud jsou přítomna) s maznicí (není součástí dodávky).

2. Drážku vodící lišty vyčistěte škrabákovým hákem (není součástí dodávky).
3. Vyčistěte mazací otvory.
4. Odstraňte otěpy z hran a zuby zarovnejte plochým pilníkem.

Vyměňte lištu, pokud:

- drážka neodpovídá výšce hnacích článků (které se nikdy nesmí dotýkat dolní části).
- vnitřní strana vodící lišty je opotřebená a řetěz se dotýká jedné strany.

6 PŘEPRAVA A SKLADOVÁNÍ

Před přesunem stroje vždy

- Vyměňte akumulátor ze stroje.
- Nedotýkejte se hlavního vypínače.
- Nasad'te kryt na vodící lištu a řetěz.

Před skladováním stroje vždy

- Odčerpajte všechny zbytkový olej ze stroje.
- Vyměňte akumulátor ze stroje.
- Odstraňte veškerý nežádoucí materiál ze stroje.
- Ujistěte se, že skladovací prostor je
 - Nedostupný pro děti.
 - V bezpečné vzdálenosti od látek, které mohou způsobit koroze, jako jsou zahradní chemikálie a odmrazovací soli.

7 ŘEŠENÍ PROBLÉMU

Problém	Možná příčina	Řešení
Stroj se nespustí.	Tyče nejsou správně osazené.	Sestavte tyče podle pokynů.
	Blokovací tlačítko a spoušť nejsou současně zmáčknuty.	<ol style="list-style-type: none"> 1. Stiskněte a podržte blokovací tlačítko 2. Zatímco držíte blokovací tlačítko, potáhněte spoušť. 3. Uvolněte blokovací tlačítko pro nastartování stroje.

Problém	Možná příčina	Řešení
Lišta a řetěz se zahřívají a uvolňují kouř.	Nádržka na olej je prázdná.	Doplňte nádržku na olej.
	Otvor odhozu pilin je zablokovaný.	<ol style="list-style-type: none"> 1. Vyměňte akumulátor. 2. Odstraňte nečistoty z otvoru odhozu pilin.
	Vstupní otvor vnitřní nádrže na olej je zablokovaný.	<ol style="list-style-type: none"> 1. Vyčistěte nádrž na olej. 2. Naplňte čistým mazivem pro lištu a řetěz.
	Rozeta je zaseknutá a zanesená nečistotami.	<ol style="list-style-type: none"> 1. Vyčistěte rozetu. 2. Naplňte čistým mazivem pro lištu a řetěz.
Lišta a řetěz se příliš zahřívají a neřežou.	Napnutí řetězu je příliš velké nebo příliš volné.	Viz Nastavení napnutí řetězu v příručce.
	Řetěz je tupý	Naostřete nebo vyměňte řetěz.
	Řetěz je založen opačně.	Sejměte řetěz a otočte ho správným směrem.
Motor běží, ale řetěz neřeže správně, nebo se motor po asi 3 sekundách zastaví.	Při použití pod zatížením se stroj zastaví.	<ol style="list-style-type: none"> 1. Uvolněte spouštěč. 2. Znovu zapněte stroj.
	Řetěz není namazán.	Namazte řetěz, abyste snížili tření.

8 TECHNICKÉ ÚDAJE

Napětí	82 V DC
Otáčky naprázdno	20,5 m/s
Délka vodící lišty	250 mm
Kapacita řetězového oleje	150 ml
Hmotnost (bez akumulátoru)	5,35 kg
Měřená hladina akustického tlaku	$L_{pA} = 83 \text{ dB(A)}$, $K_{pA} = 3 \text{ dB(A)}$
Garantovaná hladina akustického výkonu	$L_{wA,d} = 99 \text{ dB(A)}$
Vibrace	$< 2,5 \text{ m/s}^2$, $K = 1,5 \text{ m/s}^2$

Řetěz	25AP058X
Vodící lišta	100SDAA041(509877)
Model akumulátora	82V180, 82V290P, 82V360, 82V580P a další BAB řady
Model nabíječky	82C6 a další CAB řady
IPX	IPX4

Místo, datum: Malmö, Podpis: Ted Qu, ředitel pro kvalitu
11.11.2021

Ted Qu

9 ES PROHLÁŠENÍ O SHODĚ

Název a adresa výrobce:

Název: GLOBGRO AB
Globe Group Europe
Adresa: Riggaregatan 53, 211 13 Malmö, Švédsko

Název a adresa společnosti oprávněně vypracovat soubor
technické dokumentace:

Název: Micael Johansson
Adresa: Riggaregatan 53, 211 13 Malmö, Švédsko

Tímto prohlašujeme, že výrobek

Kategorie: Tyčová pila
Model: 82PST39(PSB402)
Výrobní číslo: Viz štítek s označením výrobku
Rok výroby: Viz štítek s označením výrobku

- je v souladu s příslušnými ustanoveními směrnice o strojních zařízeních 2006/42/ES.
- je v souladu s následujícími směnicemi ES:
 - 2014/30/EU
 - 2000/14/ES & 2005/88/ES
 - 2011/65/EU & 2015/863/EU

Kromě toho prohlašujeme, že byly použity následující evropské harmonizované normy (jejich části / doložky):

- EN 60745-1, EN ISO 11680-1, EN 55014-1, EN 55014-2, EN ISO 3744, ISO 11094, IEC 62321-3-1, IEC 62321-4, IEC 62321-5, IEC 62321-6, IEC 62321-7-1, IEC 62321-7-2, IEC 62321-8

Měřená hladina akustického výkonu: L_{WA} : 95.7 dB(A)

Garantovaná hladina akustického výkonu: $L_{WA,d}$: 99 dB(A)

Metoda posouzení shody s přílohou V směrnice 2000/14/ES.

Číslo certifikátu přezkoušení ES: vydal SGS Fimko Ltd (0598), Takomotie 8, FI-00380 Helsinki, Finland.

1	Popis.....	93	4	Obsluha.....	94
1.1	Účel.....	93	4.1	Kontrola namazania reťaze.....	94
1.2	Prehľad.....	93	4.2	Spustenie stroja.....	95
2	Všeobecné bezpečnostné pokyny pre elektrické náradie.....	93	4.3	Zastavenie stroja.....	95
3	Inštalácia.....	93	4.4	Odvetvovanie stromu.....	95
3.1	Rozbalenie stroja.....	93	4.5	Odvetvenie konárov stromov.....	95
3.2	Doplňanie maziva pre lištu a reťaz.....	93	5	Údržba.....	95
3.3	Montáž vodiacej lišty a reťaze.....	93	5.1	Nastavenie napnutia reťaze.....	95
3.4	Použitie ramenného popruhu.....	94	5.2	Naostrenie zubov.....	95
3.5	Nastavenie dĺžky tyčovej píly.....	94	5.3	Údržba vodiacej lišty.....	96
3.6	Nastavenie uhla hlavice tyčovej píly.....	94	6	Preprava a skladovanie.....	96
3.7	Príprava na rezanie.....	94	7	Riešenie problémov.....	96
3.8	Inštalácia akumulátora.....	94	8	Technické údaje.....	97
3.9	Vybratie akumulátora.....	94	9	Vyhlásenie ES o zhode.....	97

1 POPIS

1.1 ÚČEL

Výrobok je vybavený rezacím príslušenstvom namontovaným na tyči tak, aby obsluhu umožnil rezanie vetví stojacich stromov, ale nie je určený na rezanie dreva ako bežná reťazová motorová píla.

Toto elektrické náradie nie je určené na používanie osobami (vrátane detí), ktoré majú znížené vnímanie alebo nedostatok skúseností, pokiaľ na nich nedozera osoba zodpovedná za ich bezpečnosť alebo ak ich táto osoba vopred nepoučila o obsluhu tohto elektrického náradia.

Deti by mali byť pod dohľadom, aby sa zabezpečilo že sa s prístrojom nehrajú.

1.2 PREHEAD

Obrázok 1-20.

- | | | | |
|----|--------------------------|----|---------------------------------|
| 1 | Blokovacie tlačidlo | 13 | Uzáver olejovej nádrže |
| 2 | Malé blokovacie tlačidlo | 14 | Indikátor hladiny oleja |
| 3 | Spúšťač | 15 | Drážka vodiacej lišty |
| 4 | Pomocná rukoväť | 16 | Zub |
| 5 | Rukoväť tyčovej píly | 17 | Hnacie články reťaze |
| 6 | Nosný krúžok | 18 | Rozeta |
| 7 | Skrutkovací uzáver | 19 | Otvor pre napínací kolík reťaze |
| 8 | Predlžovacia tyč | 20 | Poistná matica krytu reťaze |
| 9 | Hlavica tyčovej píly | 21 | Skrutka pre napínanie reťaze |
| 10 | Kryt reťaze | | |
| 11 | Vodiaca lišta | | |
| 12 | Pílová reťaz | | |

2 VŠEOBECNÉ BEZPEČNOSTNÉ POKYNY PRE ELEKTRICKÉ NÁRADIE

▲ VAROVANIE

Prečítajte si všetky bezpečnostné varovania, pokyny, ilustrácie a technické údaje dodané s týmto elektrickým náradím. Nedodržanie týchto varovaní a pokynov môže mať za následok zasiahnutie elektrickým prúdom, požiar a/alebo vážne poranenie.

Všetky varovania a pokyny si ponechajte pre prípadnú potrebu v budúcnosti.

Výraz „elektrické náradie“ vo všetkých varovaniach odkazuje na náradie napájané zo siete (káblom) alebo náradie napájané z akumulátora (bez kábla).

3 INŠTALÁCIA

3.1 ROZBALENIE STROJA

▲ VAROVANIE

Pred použitím sa uistite, že ste stroj správne zostavili.

▲ VAROVANIE

- Ak sú diely poškodené, stroj nepoužívajte.
- Ak nemáte všetky diely, stroj nepoužívajte.
- Ak sú súčasťou poškodené alebo chýbajú, obráťte sa na servisné stredisko.

1. Otvorte obal.
2. Prečítajte si dokumentáciu priloženú v škatuli.
3. Zo škatule vyberte všetky nezmontované diely.
4. Vyberte stroj z obalu.
5. Zlikvidujte škatuľu a obal v súlade s miestnymi predpismi.

3.2 DOPŕŇANIE MAZIVA PRE LIŠTU A REŤAZ

Skontrolujte množstva oleja v stroji. Ak je hladina oleja nízka, pridajte mazivo pre lištu a reťaz nasledujúcim spôsobom.

i DÔLEŽITÉ

Používajte len mazivo pre lištu a reťaz.

i POZNÁMKA

Stroj prichádza z továrne bez maziva tyče a reťaze.

1. Odskrutkujte a vyberte uzáver olejovej nádrže.
2. Nalejte olej do olejovej nádrže.
3. Pozorujte indikátor hladiny oleja, aby ste sa presvedčili, že v olejovej nádrži nie je žiadna špina pri pridávaní oleja.
4. Zaskrutkujte uzáver olejovej nádrže.
5. Dotiahnite uzáver olejovej nádrže.
6. Kompletne naplnená olejová nádrž vydrží v prevádzke od 15 do 40 minút.

i DÔLEŽITÉ

Nepoužívajte špinavé, používané alebo inak kontaminované oleje. Môže dôjsť k poškodeniu lišty alebo reťaze.

3.3 MONTÁŽ VODIACEJ LIŠTY A REŤAZE

Obrázok 10-14.

1. Vyberte akumulátor zo stroja.
2. Odstráňte kľúčom matice krytu reťaze.
3. Zložte kryt reťaze.

- Umiestnite hnacie články reťaze do drážky vodiacej lišty.
- Zuby reťaze položte v smere chodu reťaze.
- Umiestnite reťaz na miesto a uistite sa, že je slučka za vodiacou lištou.
- Pridrži reťaz a lištu.
- Nasaďte slučku reťaze okolo rozety.
- Uistite sa, že otvor pre napínací kolík reťaze na vodiacej lište správne zapadá do skrutky.
- Namontujte kryt reťaze.
- Napnite reťaz. Pozrite si *Nastavte napnutie reťaze*.
- Po správnom napnutí reťaze dotiahnite matice.

i POZNÁMKA

Ak spustíte reťazovú pílu s novou reťazou, vykonajte 2-3 minútový test. Potom znovu skontrolujte napnutie a v prípade potreby reťaz napnite.

3.4 POUŽITIE RAMENNÉHO POPRUHU

Obrázok 4.

- Pripojte karabínu na nosný krúžok na tyči.
- Nasaďte si ramenný popruh.
- Nastavte dĺžku popruhu tak, aby karabína bola pozdĺž ruky pod pravým bokom.

3.5 NASTAVENIE DĹŽKY TYČOVEJ PÍLY

Obrázok 3.

- Rýchlospojku uvoľnite otáčaním proti smeru hodinových ručičiek.
- Ťahaním predĺžovacej tyče smerom nahor alebo dozadu nastavte dĺžku tyčovej píly.
- Uťahnite rýchlospojku.

3.6 NASTAVENIE UHLA HLAVICE TYČOVEJ PÍLY

Hlava tyčovej píly má dva uhly: 0° alebo 90°, tyčová píla môže rezať vertikálne alebo horizontálne.

Obrázok 6.

- Pomocou kľúča uvoľnite dve skrutky na hlavicu tyčovej píly.
- Otočte hlavicu tyčovej píly o 90°, až kým skrutky nezapadnú do otvorov pre skrutky na tyči.
- Dotiahnite skrutky.

3.7 PRÍPRAVA NA REZANIE

Obrázok 4.

Než začnete rezať, uistite sa, že

- na dosiahnutie maximálnej pevnosti úchopu a ochrany používate protišmykové rukavice.
- máte správne uchopenie stroja počas prevádzky.
 - pravou rukou pevne uchopíte zadnú rukoväť a ľavou rukou pevne uchopíte tyč.
 - máte telo naľavo od reťaze.
 - Nikdy nepoužívajte ľavý (prekrižené ruky) úchop alebo akýkoľvek postoj, ktorý umiestni vaše telo alebo ruky cez reťaz.
- Nikdy nestojte priamo pod orezávaným konárom.
- Pravidelne kontrolujte dotiahnutie manžiet počas prevádzky.

3.8 INŠTALÁCIA AKUMULÁTORA

Obrázok 5.

▲ VAROVANIE

- Ak je akumulátor alebo nabíjačka poškodená, vymeňte akumulátor alebo nabíjačku.
- Pred inštaláciou alebo vybratím akumulátora zastavte stroj a počkajte, kým sa motor zastaví.
- Prečítajte si, oboznámte sa a dodržujte pokyny uvedené v príručke pre akumulátor a nabíjačku.

- Zarovnajte rebrá na akumulátore s drážkami v priestore na akumulátor.
- Zatlačte akumulátor do priestoru na akumulátor, kým nezapadne na miesto.
- Keď budete počuť kliknutie, akumulátor je nainštalovaný.

3.9 VYBRATIE AKUMULÁTORA

Obrázok 5.

- Stlačte a podržte tlačidlo pre uvoľnenie akumulátora.
- Vyberte akumulátor zo stroja.

4 OBSLUHA

i POZNÁMKA

Pri premiestňovaní stroja vyberte akumulátor a nedotýkajte sa spínača.

i DÔLEŽITÉ

Pred každým použitím skontrolujte napnutie reťaze.

4.1 KONTROLA NAMAZANIA REŤAZE

i POZNÁMKA

Nepoužívajte stroj bez dostatočného mazania reťaze.

Obrázok 2.

- Skontrolujte hladinu maziva stroja podľa indikátora oleja.

2. Ak je nutné, pridajte mazivo.

4.2 SPUSTENIE STROJA

Obrázok 7.

1. Nainštalujte akumulátor do stroja.
2. Jednou rukou stlačte mikrospínač na prednej rukoväti.
3. Potiahnite malé bezpečnostné blokovacie tlačidlo hore.
4. Stlačte spúšťač.

4.3 ZASTAVENIE STROJA

Obrázok 7.

1. Uvoľnite spínač pre zastavenie stroja.

4.4 ODVETVOVANIE STROMU

Obrázok 8.

▲ VAROVANIE

Uistite sa, že v oblasti, kde dopadajú konáre, nikto nie je.

- Postavte sa proti konáru, ktorý budete rezat'.
- Začnite rezat' spodné konáre.
- Potom odrežte vrchné konáre.
- Režte smerom dole, aby ste zabránili uviaznutiu lišty.

4.5 ODVETVENIE KONÁROV STROMOV

Odvetvovanie je odstraňovanie konárov zo zrúbaného stromu.

Obrázok 9.

1. Ponechajte väčšie spodné konáre, aby držali guľatinu nad zemou.
2. Odstráňte malé konáre jedným rezom.
3. Odstraňujte napnuté konáre zdola nahor.
4. Ponechajte si väčšie spodné konáre ako podperu až do odvetvenia guľatiny.

5 ÚDRŽBA

▲ VÝSTRAHA

Nedovoľte, aby sa brzdové kvapaliny, benzín, materiály na báze ropy dotýkali plastových častí. Chemikálie môžu spôsobiť poškodenie plastu a viesť k tomu, že sa plast stane nepoužiteľným.

▲ VÝSTRAHA

Na plastovom puzdre alebo súčiastiach nepoužívajte silné rozpúšťadlá ani čistiace prostriedky.

▲ VAROVANIE

Pred údržbou vyberte akumulátor zo stroja.

5.1 NASTAVENIE NAPNUTIA REŤAZE

Obrázok 10.13.14

▲ VÝSTRAHA

Používajte ochranné rukavice, keď sa dotýkate reťaze, lišty alebo oblasti okolo reťaze.

1. Uvoľnite kryt reťaze otočením skrutky reťaze proti smeru hodinových ručičiek.

i POZNÁMKA

Nie je nutné demontovať kryt reťaze pre nastavenie napnutia reťaze.

2. Otáčaním skrutky pre nastavenie reťaze v smere hodinových ručičiek zvyšujete napnutie reťaze.
3. Otáčaním skrutky pre nastavenie reťaze proti smeru hodinových ručičiek znižujete napnutie reťaze.
4. Keď má reťaz požadované napnutie, upevnite kryt reťaze.

5.2 NAOŠTRENIE ZUBOV

Ak sa reťaz do dreva nezarezáva ľahko, naoštrite zuby.

i POZNÁMKA

Odporúčame využiť služby predajného strediska, ktoré má k dispozícii elektrickú brúsku pre vykonanie kvalitného nabrúsenia.

Obrázok 15-18.

1. Napnite reťaz.
2. Ostrite zuby guľatým pilníkom s priemerom 4,5 mm.
3. Hornú dosku, bočnú dosku a hĺbkový doraz ostrite plochým pilníkom.
4. Zabrušte všetky zuby do stanovených uhlov a na rovnaké dĺžky.

i POZNÁMKA

Počas ostrenia,

- udržiajte pilník v rovine s brúseným povrchom.
- Použite stredný bod pilníkového listu.
- Pri brúsení povrchu používajte mierny, ale intenzívny tlak.
- Zdvihnite pilník po každom pohybe.
- Naoštrite zuby na jednej strane a potom sa presuňte na druhú stranu.

Vymeňte reťaz, ak:

- Dĺžka rezných hrán je menšia než 5 mm.
- Medzi hnacími článkami a nitmi je príliš veľká medzera.
- Rýchlosť rezania je pomalá.
- Mnohokrát opakované ostrenie reťaze nezvyšuje rýchlosť rezania. Reťaz je opotrebovaná.

5.3 ÚDRŽBA VODIACEJ LIŠTY

Obrázok 19-20.

i POZNÁMKA

Uistite sa, že sa vodiaca lišta pravidelne obracia, aby sa zachovalo jej symetrické opotrebovanie.

1. Premažte ložiská na nose lišty (ak sú prítomné) maznicou (nie je súčasťou dodávky).
2. Drážku vodiacej lišty vyčistite škrabákovým hákom (nie je súčasťou dodávky).
3. Vyčistite mazacie otvory.
4. Odstráňte ostriny z hrán a zuby zarovnajzte plochým pilníkom.

Vymeňte lištu, ak:

- drážka nezodpovedá výške hnacích článkov (ktoré sa nikdy nesmú dotýkať spodnej časti).
- vnútorná strana vodiacej lišty je opotrebovaná a reťaz sa dotýka jednej strany.

6 PREPRAVA A SKLADOVANIE

Pred presunom stroja vždy:

- Vyberte akumulátor zo stroja.
- Nedotýkajte sa spínača.
- Nasad'ite kryt na vodiacu lištu a reťaz.

Pred skladovaním stroja vždy:

- Odčerpajte všetok zvyškový olej zo stroja.
- Vyberte akumulátor zo stroja.
- Odstráňte všetok nežiadúci materiál zo stroja.
- Uistite sa, že skladovací priestor je:
 - Nedostupný pre deti.
 - V bezpečnej vzdialenosti od látok, ktoré môžu spôsobiť koróziu, ako sú záhradné chemikálie a rozmrazovacie soli.

7 RIEŠENIE PROBLÉMOV

Problém	Možná príčina	Riešenie
Stroj sa nespustí.	Tyče nie sú správne osadené.	Zmontujte tyče podľa pokynov.
	Blokovacie tlačidlo a spínač nie sú súčasne stlačené.	<ol style="list-style-type: none"> 1. Stlačte a podržte blokovacie tlačidlo 2. Zároveň so stlačeným blokovacím tlačidlom potiahnite spínač. 3. Uvoľnite blokovacie tlačidlo pre naštartovanie stroja.

Problém	Možná příčina	Riešenie
Lišta a reťaz sa zahrievajú a uvoľňujú dym.	Nádržka na olej je prázdna.	Doplňte nádržku na olej.
	Otvor odvodu pilín je zablokovaný.	1. Vymeňte akumulátor. 2. Odstráňte nečistoty z otvoru odvodu pilín.
	Vstupný otvor vnútornej nádrže na olej je zablokovaný.	1. Vyčistíte nádrž na olej. 2. Naplňte čistým mazivom pre lištu a reťaz.
	Rozeta je zaseknutá a zanesená nečistotami.	1. Vyčistíte rozetu. 2. Naplňte čistým mazivom pre lištu a reťaz.
Lišta a reťaz sa veľmi zahrievajú a nerežú.	Napnutie reťaze je veľmi veľké alebo príliš voľné.	Pozrite si v návode Nastavenie napnutia reťaze.
	Reťaz je tupá	Naostrite alebo vymeňte reťaz.
	Reťaz je založená opačne.	Vyberte reťaz a otočte ju správnym smerom.
Motor beží, ale píla sa nepohybuje správne, alebo sa motor po asi 3 sekundách zastaví.	Pri použití pod zaťažením sa stroj zastaví.	1. Uvoľnite spínač. 2. Znovu zapnite stroj.
	Reťaz nie je namazaná.	Namažte reťaz, aby ste znížili trenie.

8 TECHNICKÉ ÚDAJE

Napätie	82 V DC
Rýchlosť bez zaťaženia	20.5 m/s
Dĺžka vodiacej lišty	250 mm
Kapacita reťazového oleja	150 ml
Hmotnosť (bez akumulátora)	5.35 kg
Meraná hladina akustického tlaku	$L_{pA} = 83 \text{ dB(A)}$, $K_{pA} = 3 \text{ dB(A)}$
Garantovaná hladina akustického výkonu	$L_{WA,d} = 99 \text{ dB(A)}$
Vibrácie	$< 2.5 \text{ m/s}^2$, $K = 1,5 \text{ m/s}^2$
Reťaz	25AP058X
Vodiaca lišta	100SDAA041(509877)
Model akumulátora	82V180, 82V290P, 82V360, 82V580P a ďalšie BAB série
Nabíjací model	82C6 a ďalšie CAB série
IPX	IPX4

9 VYHLÁSENIE ES O ZHODE

Názov a adresa výrobcu:

Názov: GLOBGRO AB
Globe Group Europe
Adresa: Riggaregatan 53, 211 13 Malmö, Švédsko

Názov a adresa spoločnosti oprávnenej vypracovať súbor technickej dokumentácie:

Názov: Micael Johansson
Adresa: Riggaregatan 53, 211 13 Malmö, Švédsko

Týmto prehlasujeme, že výrobok

Skupina: Tyčová píla
Model: 82PST39(PSB402)
Výrobné číslo: Pozrite si štítok s označením výroby
Rok výroby: Pozrite si štítok s označením výroby

- je v súlade s príslušnými ustanoveniami smernice o strojných zariadeniach 2006/42/ES.
- je v súlade s nasledujúcimi smernicami ES:
 - 2014/30/EÚ
 - 2000/14/ES & 2005/88/ES
 - 2011/65/EÚ & 2015/863/EÚ

Okrem toho prehlasujeme, že boli použité nasledujúce európske harmonizované normy (ich časti/doložky):

- EN 60745-1, EN ISO 11680-1, EN 55014-1, EN 55014-2, EN ISO 3744, ISO 11094, IEC 62321-3-1, IEC 62321-4, IEC 62321-5, IEC 62321-6, IEC 62321-7-1, IEC 62321-7-2, IEC 62321-8

Meraná hladina akustického výkonu: $L_{WA} = 95.7 \text{ dB(A)}$

Garantovaná hladina akustického výkonu: $L_{WA,d} = 99 \text{ dB(A)}$

Metóda posúdenia zhody s prílohou V smernice 2000/14/ES.

Číslo certifikátu typovej skúšky ES: vydal SGS Fimko Ltd (0598), Takomotie 8, FI-00380 Helsinki, Finland.

Miesto, dátum: Mal- Podpis: Ted Qu, riaditeľ kvality
mö, 11.11.2021

Ted Qu

1	Opis.....	100	4	Delovanje.....	101
1.1	Namen.....	100	4.1	Preverite, ali je veriga zadostno namazana....	101
1.2	Pregled.....	100	4.2	Zagon naprave.....	102
2	Splošna opozorila v zvezi z električnimi orodji.....	100	4.3	Zaustavitev naprave.....	102
3	Namestitev.....	100	4.4	Odstranjevanje vej z debla.....	102
3.1	Razpakiranje naprave.....	100	4.5	Obrezovanje vej na drevesu.....	102
3.2	Dolivanje olja za vodilo in verigo.....	100	5	Vzdrževanje.....	102
3.3	Sestavite vodilo in verigo.....	100	5.1	Nastavitev napetosti verige.....	102
3.4	Uporabite naramni pas.....	101	5.2	Ostrenje rezil.....	102
3.5	Nastavitev dolžine višinskega obrezovalnika.....	101	5.3	Vzdrževanje vodila.....	103
3.6	Nastavitev elementa za določanje kota glave višinskega obrezovalnika.....	101	6	Premikanje in shranjevanje.....	103
3.7	Priprava na žaganje.....	101	7	Odpravljanje napak.....	103
3.8	Namestitev akumulatorja.....	101	8	Tehnični podatki.....	103
3.9	Odstranite akumulator.....	101	9	Izjava ES o skladnosti.....	104

1 OPIS

1.1 NAMEN

Izdelek je opremljen z rezilnim nastavkom, pritrjenim na drog, ki upravljavcu omogoča žaganje vej na pokončnem drevju, ni pa namenjen žaganju lesa kot npr. motorna žaga.

Naprava ni namenjena za uporabo s strani oseb (vključno z otroki), ki nimajo izkušenj in znanja, razen če to počnejo pod nadzorom osebe, ki je odgovorna za njihovo varnost, ali po navodilih, ki jih dobijo od te osebe.

Nadzirajte svoje otroke ter poskrbite, da se z napravo ne bodo igrali.

1.2 PREGLED

Slika 1-20.

- | | |
|-----------------------------|---|
| 1 Gumb za zaklepanje | 13 Pokrov rezervoarja za olje |
| 2 Majhen gumb za zaklepanje | 14 Indikator ravni olja |
| 3 Sprožilec | 15 Utor vodila |
| 4 Pomožni ročaj | 16 Rezilo |
| 5 Ročaj palične žage | 17 Členi pogonskega zobnika |
| 6 Nosilni obroč | 18 Veržnik |
| 7 Navojni pokrovček | 19 odprtina za zatič za napetost verige |
| 8 Razširitvena palica | 20 Matica za zaklep pokrova verige |
| 9 Glava teleskopske žage | 21 Vijak za nastavitev verige |
| 10 Pokrov verige | |
| 11 Vodilo | |
| 12 Rezalna veriga | |

2 SPLOŠNA OPOZORILA V ZVEZI Z ELEKTRIČNIMI ORODJI

▲ OPOZORILO

Preberite vsa varnostna opozorila, navodila, slike in tehnične podatke, ki so priloženi temu električnemu orodju. Zaradi neupoštevanja spodaj navedenih navodil lahko pride do električnega udara, požara in/ali hudih telesnih poškodb.

Vsa navodila in opozorila shranite za morebitno prihodnjo uporabo.

Izraz »električno orodje« v opozorilih se nanaša na orodja, ki jih poganja električni tok (žična) in se napajajo iz električnega omrežja, ali na AKUMULATORSKA (brežžična) orodja.

3 NAMESTITEV

3.1 RAZPAKIRANJE NAPRAVE

▲ OPOZORILO

Pred uporabo se prepričajte, da je naprava pravilno sestavljena.

▲ OPOZORILO

- Če so deli poškodovani, naprave ne uporabljajte.
- Če nimate vseh delov, naprave ne uporabljajte.
- Če so deli poškodovani ali manjkajo, se obrnite na servisni center.

1. Odprite embalažo.
2. Preberite dokumente v škatli.
3. Iz škatle odstranite vse nesestavljene dele.
4. Napravo odstranite iz škatle.
5. Zavrzite škatlo in embalažo v skladu z lokalnimi predpisi.

3.2 DOLIVANJE OLJA ZA VODILO IN VERIGO

Preverite količino olja v žagi. Če je nivo olja nizek, dodajte olje za vodilo in verigo po opisanem postopku.

i POMEMBNO

Uporabite izključno olja za vodila in verige, ki so namenjena le vodilom in verigam.

i OPOMBA

Žaga je iz tovarne dobavljena brez olja za vodilo in verigo.

1. Sprostite in odstranite pokrovček z rezervoarja za olje.
2. Nalijte olje v rezervoar.
3. Spremljajte indikator olja, zato da se prepričate, da med dolivanjem olja v rezervoar ne zaide umazanija.
4. Namestite pokrovček rezervoarja za olje.
5. Zategnite pokrovček rezervoarja.
6. Popolnoma napolnjen rezervoar za olje vzdrži 15–40 minut obratovanja.

i POMEMBNO

Ne uporabljajte umazanega, rabljenega ali onesaženega olja. Takšno olje lahko poškoduje vodilo ali verigo.

3.3 SESTAVITE VODILO IN VERIGO.

Slika 10-14.

1. Odstranite akumulator iz naprave.
2. S ključem odstranite matice pokrova verige.
3. Odstranite pokrov verige.
4. Vstavite člene pogonskega zobnika v utor vodila.
5. Vstavite rezila verige v smeri premikanja verige.

6. Namestite verigo in se prepričajte, da je zanka za vodilom.
7. Pridržite verigo in vodilo.
8. Namestite zanko verige okoli verižnika.
9. Prepričajte se, da se odprtina za napenjanje verige na vodilu ujema z vijakom.
10. Namestite pokrov verige.
11. Napnite verigo. Oglejte si poglavje *Nastavite napetost verige*.
12. Ko je veriga ustrezno napeta, privijte matice.

i OPOMBA

Če ste zagnali motorno žago z novo verigo, najprej naredite 2- do 3-minutni preskus delovanja. Nato znova preverite napetost in po potrebi verigo znova napnite.

3.4 UPORABITE NARAMNI PAS

Slika 4.

1. Karabin namestite na nosilni obroč na drogu.
2. Nataknite si naramni pas.
3. Dolžino pasu nastavite tako, da je karabin za približno širino dlani pod vašim desnim bokom.

3.5 NASTAVITEV DOLŽINE VIŠINSKEGA OBREZOVALNIKA

Slika 3.

1. Sprostite objemko, tako da jo zavrtite v nasprotni smeri urinega kazalca.
2. Teleskopski drog povlecite navzgor ali nazaj, da nastavite dolžino višinskega obrezovalnika.
3. Privijte venec.

3.6 NASTAVITEV ELEMENTA ZA DOLOČANJE KOTA GLAVE VIŠINSKEGA OBREZOVALNIKA

Glava višinskega obrezovalnika ima dva elementa za določanje kota glave: 0° ali 90°, višinski obrezovalnik lahko reže vodoravno ali navpično.

Slika 6.

1. S ključem odvijte dva vijaka na glavi višinskega obrezovalnika.
2. Glavo višinskega obrezovalnika obrnite do 90°, dokler se vijaka ne prilegata odprtini za vijaka na drogu.
3. Privijte vijake.

3.7 PRIPRAVA NA ŽAGANJE

Slika 4.

Pred začetkom žaganja morajo biti izpolnjeni ti pogoji:

- Nosite trpežne rokavice za dober oprijem in zaščito.
- Napravo med uporabo ves čas dobro držite.
 - Z desno roko držite za držalo na zadnjem delu, z levo roko pa za držalo na drogu.
 - Pazite, da imate telo levo od verige.
 - Nikoli ne držite s prekrizanimi rokami in ne stojte tako, da imate telo ali roke čez verigo.
- Nikoli ne stojte neposredno pod vejo, ki jo žagate.
- Med uporabo redno preverjate, ali sta objemki dobro priviti.

3.8 NAMESTITEV AKUMULATORJA

Slika 5.

▲ OPOZORILO

- Če je akumulator ali polnilec poškodovan, ga zamenjajte.
- Zaustavite napravo in počakajte, da se motor povsem ustavi, preden namestite ali odstranite akumulator.
- Temeljito preberite in upoštevajte navodila glede akumulatorja in polnilnika.

1. Dvižne zavihke na akumulatorju poravnajte z utori na akumulatorju.
2. Akumulator potisnite v prostor za akumulator, dokler se ne usede na svoje mesto.
3. Ko slišite klik, je akumulator nameščen.

3.9 ODSTRANITE AKUMULATOR

Slika 5.

1. Potisnite in držite gumb za sprostitvev akumulatorja.
2. Odstranite akumulator iz naprave.

4 DELOVANJE

i OPOMBA

Odstranite akumulator in se med delovanjem motorne žage z rokami ne dotikajte gumba za izklop zavore.

i POMEMBNO

Pred vsako uporabo preverite napetost verige.

4.1 PREVERITE, ALI JE VERIGA ZADOSTNO NAMAZANA.

i OPOMBA

Če veriga ni dovolj namazana, žage ne smete uporabiti.

Slika 2.

1. Raven olja preverite z indikatorjem ravni olja.
2. Po potrebi dodajte več maziva.

4.2 ZAGON NAPRAVE

Slika 7.

1. Namestite akumulator v napravo.
2. Pritisnite varnostni gumb.
3. Majhen varnostni gumb potisnite navzgor.
4. Pritisnite sprožilec.

4.3 ZAUSTAVITEV NAPRAVE

Slika 7.

1. Sprostite sprožilec, da zaustavite napravo.

4.4 ODSTRANJEVANJE VEJ Z DEBLA

Slika 8.

▲ OPOZORILO

Zagotovite, da v območju, kamor padajo veje, ni nobene osebe oziroma nobenega predmeta.

- Stojte nasproti veje, ki jo želite odžagati.
- Najprej odžagajte višje veje.
- Nato se lotite nižjih vej.
- Žagajte v smeri navzdol, da preprečite morebitno zaskočitev rezila.

4.5 OBREZOVANJE VEJ NA DREVESU

Obrezovanje dreves pomeni odstranjevanje vej s padlega drevesa.

Slika 9.

1. Večje spodnje veje pustite, da držijo deblo od tal.
2. Manjše veje odstranite z enim rezom.
3. Obrežite veje od spodaj navzgor.
4. Večje spodnje veje pustite, da podpirajo deblo, dokler ga ne obrežete.

5 VZDRŽEVANJE

▲ PREVIDNO

Pazite, da plastični deli ne pridejo v stik z zavorno tekočino, bencinom ter materiali na naftni osnovi. Kemikalije lahko plastiko poškodujejo do te mere, da je ni več mogoče popraviti.

▲ PREVIDNO

Na plastičnem ohišju ali drugih sestavnih delih ne uporabljajte močnih topil ali čistil.

▲ OPOZORILO

Pred vzdrževanjem odstranite akumulator iz naprave.

5.1 NASTAVITEV NAPETOSTI VERIGE

Slika 10.13.14

▲ PREVIDNO

Če se boste dotikali verige, vodila ali območja okoli verige, nosite zaščitne rokavice.

1. Sprostite pokrov verige, tako da obrnete gumb za zaklep pokrova verige v levo.

i OPOMBA

Če želite prilagoditi napetost verige, vam ni treba odstraniti pokrova verige.

2. Če želite povečati napetost verige, vijak za nastavitev verige privijte v smeri urinega kazalca.
3. Če želite zmanjšati napetost verige, vijak za nastavitev verige privijte v nasprotni smeri urinega kazalca.
4. Ko dosežete željeno napetost, zategnite pokrov verige.

5.2 OSTRENJE REZIL

Če se veriga zatika v les, nabrusite rezila.

i OPOMBA

Priporočamo, da pomembna dela ostrenja izvede servisni center, ki ima na razpolago električno orodje za ostrenje.

Slika 15-18..

1. Napenjalna veriga.
2. Robove rezil nabrusite v premeru 5/32 palca (4 mm) z okroglo pilo.
3. Zgornjo ploskev, stransko ploskev in merilnik globine nabrusite s plosko pilo.
4. Izpilite vsa rezila do določenega kota in na enako dolžino.

i OPOMBA

Med postopkom

- naj bo pila plosko postavljena na površino, ki jo želite nabrusiti.
- Uporabite srednjo vrednost pile.
- Površina brusite z rahlim in čvrstim pritiskom.
- Ob vsakem povratnem udarcu dvignite pilo.
- Najprej zbrusite rezila na eni strani in nato nadaljujte na drugi strani.

Verigo zamenjajte v teh primerih:

- Dolžina robov za rezanje znaša manj kot 5 mm.
- Razmak med členi pogonskega zobnika in kovicami je premajhen.
- Hitrost žaganja je premajhna.
- Verigo ste že večkrat nabrusili, vendar žaganje ne poteka hitreje. Veriga je obrabljena.

5.3 VZDRŽEVANJE VODILA

Slika 19-20.

i OPOMBA

Vodilo morate redno obračati, zato da se simetrično obrabi.

1. Z brizgalko (ni priložena) naoljite ležaje na konici verižnika (če je prisoten).
2. Utor vodila očistite s strgalnim kavljem (ni priložen).
3. Očistite luknje za mazanje.
4. Odstranite zarobek z robov in privzdignite rezila s plosko pilo.

Vodilo zamenjajte v teh primerih:

- Utor se ne ujema z višino členkov pogonskega zobnika (ki se ne smejo nikoli dotikati dna).
- Notranjost vodila je obrabljena, zato se veriga nagiba v eno smer.

6 PREMIKANJE IN SHRANJEVANJE

Preden premaknete žago, vedno

- odstranite akumulator iz naprave.
- Z rokami se ne dotikajte gumba izklop zapore.
- Na vodilo in verigo namestite zaščito.

Preden shranite žago v skladišče, vedno

- Iz stroja odstranite vse ostanke olja.
- odstranite akumulator iz naprave.
- Z žage odstranite ves neželeni material.
- Poskrbite, da otroci ne bodo imeli
 - dostopa do prostora za skladiščenje.
 - Žago hranite stran od sredstev, ki lahko povzročajo korozijo, kot so vrtno kemikalije in soli proti zmrzali.

7 ODPRAVLJANJE NAPAK

Težava	Možen vzrok	Rešitev
Naprava se ne zažene.	Drogovi niso pravilno sestavljeni.	Drogove sestavite po navodilih.
	Gumba za odklepanje in sprožilca niste pritisnili istočasno.	<ol style="list-style-type: none"> 1. Potisnite in držite gumb za odklepanje. 2. Medtem ko držite gumb za odklepanje, povlecite sprožilec. 3. Spustite gumb za odklepanje, da zaženete napravo.

Težava	Možen vzrok	Rešitev
Vodilo in veriga postaneta vroča in iz njiju se kadi.	Rezervoar za olje je prazen.	Napolnite rezervoar za olje.
	Izpušna odprtina je blokirana.	<ol style="list-style-type: none"> 1. Odstranite baterijo. 2. Z odvodne odprtine odstranite umazanijo.
	Dovodna odprtina notranjega rezervoarja za olje je blokirana.	<ol style="list-style-type: none"> 1. Očistite rezervoar za olje. 2. Napolnite ga s čistim vodikom in mazivom za verigo.
	Verižnik se je zataknil in je zamašen z ostanki.	<ol style="list-style-type: none"> 1. Očistite verižnik. 2. Napolnite ga s čistim vodikom in mazivom za verigo.
Vodilo in veriga postaneta prevročna in žaganje ni mogoče.	Veriga je preveč napeta ali sproščena.	Glejte razdelek »Nastavitev napetosti verige« v priročniku.
	Veriga je topa.	Verigo nabrusite ali jo zamenjajte.
	Veriga je narobe nataknjena.	Odstranite verigo in jo obrnite v pravo smer.
Motor deluje, vendar veriga ne žaga pravilno ali pa se motor zaustavi po približno 3 sekundah.	Če napravo uporabljate pod obremenitvijo, se ustavi.	<ol style="list-style-type: none"> 1. Sprostite sprožilec. 2. Znova zaženite napravo.
	Veriga ni namazana.	Namazite verigo, da zmanjšate trenje.

8 TEHNIČNI PODATKI

Napetost	82 V DC
Ni obremenitvene hitrosti	20.5 m/s
Dolžina vodila	250 mm
Prostornina olja za verigo	150 ml
Teža (brez akumulatorja)	5.35 kg
Izmerjena raven hrupa	$L_{pA} = 83$ dB(A), $K_{pA} = 3$ dB(A)

Zajamčena raven zvočne moči	$L_{WA,d} = 99 \text{ dB(A)}$
Vibracije	$< 2.5 \text{ m/s}^2$ $1,5 \text{ m/s}^2$
Veriga	25AP058X
Vodilo	100SDAA041(509877)
Model akumulatorja	82V180, 82V290P, 82V360, 82V580P in druge serije BAB
Modela polnilca	82C6 in druge serije CAB
IPX	IPX4

Način ugotavljanja skladnosti po Aneksu V Direktive 2000/14/ES.

Številko certifikata ES o pregledu tipa: izdal SGS Fimko Ltd (0598), Takomatie 8, FI-00380 Helsinki, Finland.

Kraj, datum: Malmö, Podpis: Ted Qu, direktor kakovosti
11.11.2021

Ted Qu

9 IZJAVA ES O SKLADNOSTI

Naziv in naslov proizvajalca:

Ime: GLOBGRO AB
Globe Group Europe
Naslov: Riggaregatan 53, 211 13 Malmö, Švedska

Ime in naslov osebe, ki je pooblaščen za pripravo tehnične dokumentacije:

Ime: Micael Johansson
Naslov: Riggaregatan 53, 211 13 Malmö, Švedska

Izjavljamo, da je izdelek

Kategorija: Teleskopska žaga
Model: 82PST39(PSB402)
Serijska številka: Glejte nalepko s podatki o izdelku
Leto izdelave: Glejte nalepko s podatki o izdelku

- skladen z ustreznimi določbami Direktive o strojih 2006/42/ES.
- skladen z določbami teh drugih direktiv ES:
 - 2014/30/EU
 - 2000/14/ES v 2005/88/ES
 - 2011/65/EU v (EU)2015/863

Poleg tega izjavljamo, da so bili upoštevani ti evropski usklajeni standardi (njihovi deli/klavzule):

- EN 60745-1, EN ISO 11680-1, EN 55014-1, EN 55014-2, EN ISO 3744, ISO 11094, IEC 62321-3-1, IEC 62321-4, IEC 62321-5, IEC 62321-6, IEC 62321-7-1, IEC 62321-7-2, IEC 62321-8

Izmerjena raven zvočne moči: $L_{WA}: 95.7 \text{ dB(A)}$

Zajamčena raven zvočne moči: $L_{WA,d}: 99 \text{ dB(A)}$

1	Opis.....	106	4	Rukovanje.....	107
1.1	Svrha.....	106	4.1	Provjera podmazivanja lanca.....	107
1.2	Pregled.....	106	4.2	Pokretanje stroja.....	108
2	Opća upozorenja o sigurnosti električnog alata.....	106	4.3	Zaustavite stroj.....	108
3	Ugradnja.....	106	4.4	Rezanje grana s drveta.....	108
3.1	Vađenje stroja iz ambalaže.....	106	4.5	Rezanje grana drveta.....	108
3.2	Dodavanje maziva za vodilicu i lanac.....	106	5	Održavanje.....	108
3.3	Montiranje vodilice i lanca.....	106	5.1	Podešavanje zategnutosti lanca.....	108
3.4	Upotrebljavajte naramenicu.....	107	5.2	Oštrenje reznih elemenata.....	108
3.5	Podešavanje duljine štapne pile.....	107	5.3	Održavanje vodilice.....	109
3.6	Podešavanje kuta glave štapne pile.....	107	6	Transport i skladištenje.....	109
3.7	Priprema za piljenje.....	107	7	Otklanjanje problema.....	109
3.8	Umetnite bateriju.....	107	8	Tehnički podaci.....	110
3.9	Uklonite baterijski modul.....	107	9	EZ izjava o sukladnosti.....	110

1 OPIS

1.1 SVRHA

Proizvod je opremljen nastavkom za rezanje montiranim na štapu koji omogućuje rukovatelju rezanje grana na stablima ali nije predviđen za rezanje drveta kao s običnom lančanom pilom.

Ovaj uređaj nije predviđen da ga koriste osobe (uključujući djecu) sa smanjenim razumijevanjem ili manjkom iskustva i znanja, osim ako nisu pod nadzorom ili primaju upute u vezi uporabe ovog uređaja od osobe odgovorne za njihovu sigurnost.

Djeca moraju biti pod nadzorom kako se ne bi igrala uređajem.

1.2 PREGLED

Slika 1-20.

- | | |
|------------------------|-------------------------------------|
| 1 Gumb za blokadu | 13 Čep spremnika za ulje |
| 2 Mali gumb za blokadu | 14 Indikator razine ulja |
| 3 Okidač | 15 Žlijeb vodilice |
| 4 Pomoćni rukohvat | 16 Rezač |
| 5 Drška štapne pile | 17 Pogonske karike lanca |
| 6 Prsten za nošenje | 18 Lančanic |
| 7 Navojni poklopac | 19 Rupa za zatik za zatezanje lanca |
| 8 Produžni štap | 20 Sigurnosna matica poklopca lanca |
| 9 Glava štapne pile | 21 Vijak za zatezanje lanca |
| 10 Navlaka za lanac | |
| 11 Vodilica | |
| 12 Lanac pile | |

2 OPĆA UPOZORENJA O SIGURNOSTI ELEKTRIČNOG ALATA

▲ UPOZORENJE

Pročitajte sva sigurnosna upozorenja, sve upute, ilustracije i specifikacije isporučene s ovim električnim alatom. Zanemarivanje uputa navedenih u nastavku može rezultirati električnim udarom, požarom i/ili teškim ozljedama.

Sva upozorenja i upute spremite za buduće potrebe.

Pojam "električni alat" u upozorenjima odnosi se na vaš električni alat na strujni pogon (s kabelom) ili električni alat na BATERIJSKI pogon (bez kabela).

3 UGRADNJA

3.1 VAĐENJE STROJA IZ AMBALAŽE

▲ UPOZORENJE

Pobrnite se da propisno sklopite stroj prije upotrebe.

▲ UPOZORENJE

- Ako su dijelovi oštećeni, nemojte upotrebljavati stroj.
- Ako nemate sve dijelove, nemojte upotrebljavati stroj.
- Ako su dijelovi oštećeni ili nedostaju, razgovarajte s osobljem u servisnom centru.

1. Otvorite pakiranje.
2. Pročitajte dokumentaciju koju ste dobili u pakiranju.
3. Izvadite sve nesastavljene dijelove iz kutije.
4. Izvadite stroj iz kutije.
5. Kutiju i pakiranje zbrinite u skladu s lokalnim propisima.

3.2 DODAVANJE MAZIVA ZA VODILICU I LANAC

Provjerite količinu ulja u stroju. Ako je razina ulja niska, dodajte maziva za vodilicu i lanac prema sljedećim uputama.

i VAŽNO

Koristite mazivo za vodilicu i lanac predviđeno samo za lance i mazalice za lance.

i NAPOMENA

Stroj se iz tvornice isporučuje bez maziva za vodilicu i lanac.

1. Otpustite i uklonite čep sa spremnika za ulje.
2. Ulijte ulje u odgovarajući spremnik.
3. Pratite indikator ulja kako biste bili sigurni da nema prljavštine u spremniku dok dolijevate ulje.
4. Stavite čep na spremnik za ulje.
5. Stegnite čep na otvoru za ulje.
6. Potpuno napunjeni spremnik ulja trajat će 15 do 40 min rada.

i VAŽNO

Nemojte koristiti prljavo, upotrijebljeno ili kontaminirano ulje. Može doći do oštećenja vodilice i lanca.

3.3 MONTIRANJE VODILICE I LANCA

Slika 10-14.

1. Izvadite baterijski modul iz stroja.
2. Uklonite ključem matice za pokrov lanca.
3. Uklonite poklopac lanca.
4. Stavite pogonske karike lanca u žlijeb vodilice.

- Postavite rezne elemente na lancu u smjeru kretanja lanca.
- Stavite lanac na njegovo mjesto i pazite da se omča nalazi iza vodilice.
- Držite lanac i vodilicu.
- Postavite omču lanca oko lančanika.
- Pazite da se rupa zatika za zatezanje lanca na vodilici podudara s položajem vijka.
- Montirajte poklopac lanca.
- Zategnite lanac. Pogledajte *Podesite napetost lanca*.
- Stegnite matice kada je lanac dovoljno zategnut.

i NAPOMENA

Ako pokrenete lančanu pilu s novim lancem, isprobavajte ju 2-3 minute. Nakon toga, opet provjerite napetost i po potrebi ju prilagodite.

3.4 UPOTREBLJAVAJTE NARAMENICU

Slika 4.

- Pričvrstite karabiner na prsten za nošenje pile
- Stavite traku za rame na rame.
- Prilagodite duljinu trake tako da karabiner bude približno za širinu šake ispod vašeg desnog kuka.

3.5 PODEŠAVANJE DULJINE ŠTAPNE PILE

Slika 3.

- Otpustite обруч okretanjem u smjeru suprotnom smjeru kretanja kazaljki na satu.
- Za podešavanje duljine štapne pile povucite produžni štap prema gore ili natrag.
- Pritegnite обруč.

3.6 PODEŠAVANJE KUTA GLAVE ŠTAPNE PILE

Glava štapne pile ima dva kuta: 0° ili 90°. Štapna pila može rezati okomito ili vodoravno.

Slika 6.

- Ključem otpustite dva vijka na glavi štapne pile.
- Glavu štapne pile okrenite za 90° tako da vijci uđu u provrte za vijke na štapu.
- Pritegnite vijke.

3.7 PRIPREMA ZA PILJENJE

Slika 4.

Prije nego započnete rezanje, pazite na sljedeće

- Za maksimalni prihvat i zaštitu nosite izdržljive rukavice.

- Pravilno držite stroj tijekom rada.
 - Desnom rukom držite stražnju ručku dok lijevom rukom držite vratilo nastavka (cijev).
 - Tijelo držite s lijeve strane od crte lanca.
 - Nemojte upotrebljavati lijevi rukohvat (s križanjem ruku) ili bilo koji položaj u kojemu će tijelo ili ruka prijeći preko crte lanca.
- Nikad nemojte stajati izravno ispod grane koju režete.
- Povremeno provjerite zategnutost obruča tijekom rada.

3.8 UMETNITE BATERIJU

Slika 5.

▲ UPOZORENJE

- Ako su baterijski modul ili punjač oštećeni, zamijenite baterijski modul ili punjač.
- Zaustavite stroj i pričekajte da se motor zaustavi prije ugradnje ili uklanjanja baterijskog modula.
- Pročitajte, upoznajte i slijedite upute za baterijski i punjač.

- Poravnajte izbočenja na baterijskom modulu sa žljebovima u odjeljku za bateriju.
- Gurnite baterijski modul u odjeljak za bateriju tako da baterijski modul uskoči na svoje mjesto.
- Kad začujete klik, baterijski modul je ugrađen.

3.9 UKLONITE BATERIJSKI MODUL

Slika 5.

- Pritisnite i držite gumb za oslobađanje baterije.
- Izvadite baterijski modul iz stroja.

4 RUKOVANJE

i NAPOMENA

Izvadite baterijski modul i držite ruke podalje od gumba za blokadu kada pomičete stroj.

i VAŽNO

Prije svake upotrebe provjerite napetost lanca.

4.1 PROVJERA PODMAZIVANJA LANCA

i NAPOMENA

Nemojte koristiti stroj ako lanac nije dovoljno podmazan.

Slika 2.

- Na indikatoru razine ulja provjerite razinu maziva.
- Ako je potrebno, dodajte više maziva.

4.2 POKRETANJE STROJA

Slika 7.

1. Ugradite baterijski modul na stroj.
2. Pritisnite gumb za sigurnosnu blokadu.
3. Povucite mali gumb za sigurnosno zaključavanje prema gore.
4. Pritisnite okidač.

4.3 ZAUSTAVITE STROJ

Slika 7.

1. Otpustite okidač da zaustavite rad stroja.

4.4 REZANJE GRANA S DRVETA.

Slika 8.

▲ UPOZORENJE

Pazite da nema ničega i nikoga u području na koje će padati grane.

- Stanite nasuprot grane koju ćete rezati.
- Počnite rezati više grane.
- Zatim režite niže grane.
- Pilite prema dolje kako se list pile ne bi zaglavio.

4.5 REZANJE GRANA DRVETA

Odsjecanje je uklanjanje grana sa srušenog drveta.

Slika 9.

1. Ostavite veće grane s donje strane da se deblu oslanja na njih iznad tla.
2. Uklanjajte manje grane jednim rezom.
3. Napete grane režite odozdo prema gore.
4. Veće niže grane ostavite kao podupirače dok obrezujete grane.

5 ODRŽAVANJE

▲ OPREZ

Pazite da kočiona tekućina, benzin i materijali na bazi nafte ne dođu u kontakt s plastičnim dijelovima. Kemijske tvari mogu izazvati oštećenja na plastici i dovesti ju u neupotrebljivo stanje.

▲ OPREZ

Nemojte upotrebljavati jaka otapala ili deterdžente na plastičnim kućištima ili dijelovima.

▲ UPOZORENJE

Prije održavanja iz stroja izvadite baterijski modul.

5.1 PODEŠAVANJE ZATEGNUTOSTI LANCA

Slika 10.13.14

▲ OPREZ

Nosite zaštitne rukavice ako dotičete lanac, vodilicu ili područje oko lanca.

1. Otpustite poklopac lanca okretanjem sigurnosne matice poklopca lanca u smjeru suprotnom smjeru kretanja kazaljki na satu.

i NAPOMENA

Za podešavanje zategnutosti lanca nije potrebno uklanjati poklopac lanca.

2. Za povećavanje napetosti lanca, vijak za podešavanje lanca okrećite udesno.
3. Za smanjivanje napetosti lanca, vijak za podešavanje lanca okrećite ulijevo.
4. Po dostizanju željene zategnutosti lanca pritegnite poklopac lanca.

5.2 OŠTRENJE REZNIH ELEMENATA

Naoštrite rezne elemente ako lanac ne prodire lagano u drvo.

i NAPOMENA

Preporučujemo da važne radove oštrenja obavi servisni centar.

Slika 15-18.

1. Zatezanje lanca.
2. Naoštrite uglove reznih elemenata koristeći okruglu turpiju promjera 4 mm (5/32 in.).
3. Naoštrite gornju ploču, bočnu ploču i dubinomjer koristeći ravnu turpiju.
4. Turpijom obradite sve rezne elemente dok ne dobijete zadane kutove i iste duljine.

i NAPOMENA

Za vrijeme postupka

- Turpiju držite ravno uz površinu koja se obrađuje.
- Koristite središnji dio turpije.
- Kada obrađujete površinu, upotrijebite lagan, ali čvrst pritisak.
- Pri svakom povratnom potezu, podignite turpiju.
- Naoštrite rezne elemente na jednoj strani, a zatim prijedite na drugu.

Zamijeniti lanac u sljedećim slučajevima:

- Duljina reznih bridova manja je od 5 mm.
- Previše je mjesta između pogonskih karika i zakovica.
- Brzina rezanja je mala

- Ponovljenim oštrenjem lanca nećete povećati brzinu rezanja. Lanac je istrošen.

5.3 ODRŽAVANJE VODILICE

Slika 19-20.

i NAPOMENA

Povremeno ga preokrenite kako bi se vodilica simetrično trošila.

1. Podmažite ležajeve na prednjem lančaniku (ako postoji) koristeći štrcaljku (nije isporučena).
2. Očistite žlijeb vodilice koristeći kuku za struganje (nije isporučena).
3. Očistite otvore za podmazivanje.
4. Uklonite srh s rubova i izravnajte rezne elemente ravnom turpijom.

Zamijenite vodilicu ako:

- žlijeb nije prilagođen visini pogonskih karika (koje nikada ne smiju dodirivati dno).
- je unutrašnja strana vodilice istrošena, zbog čega je lanac nagnut u jednu stranu.

6 TRANSPORT I SKLADIŠTENJE

Prije premještanja stroja, učinite sljedeće

- Izvadite baterijski modul iz stroja.
- Ruke držite dalje od gumba za blokadu.
- Postavite zaštitnu futrolu na vodilicu i lanac.

Prije skladištenja stroja, učinite sljedeće

- Uklonite sve ostatke ulja iz stroja.
- Izvadite baterijski modul iz stroja.
- Očistite sav neželjeni materijal sa stroja.
- U području za skladištenje pazite na sljedeće
 - Nije dostupno za djecu.
 - Udaljeno je od sredstava koja mogu izazvati koroziju kao što su vrtno kemikalije i sol za odleđivanje.

7 OTKLANJANJE PROBLEMA

Problem	Mogući uzrok	Rješenje
Stroj se ne može pokrenuti.	Štapovi nisu pravilno montirani.	Montirajte štapove u skladu s uputama.
	Gumb za blokadu i okidač nisu istovremeno utisnuti.	<ol style="list-style-type: none"> 1. Pritisnite i držite gumb za blokadu 2. Dok držite gumb za blokadu, povucite otponac. 3. Otpustite gumb za blokadu kako biste pokrenuli stroj.
Vodilica i lanac zagrijavaju se i oslobada se dim.	Spremnik za ulje je prazan.	Napunite spremnik za ulje.
	Izlazni otvor je začepljen.	<ol style="list-style-type: none"> 1. Uklonite baterijski modul. 2. Uklonite nečistoću iz otvora za pražnjenje.
	Začepljen je ulazni otvor unutarnjeg spremnika za ulje.	<ol style="list-style-type: none"> 1. Očistite spremnik za ulje. 2. Napunite čistim mazivom za vodilicu i lanac.
Vodilica i lanac pregrijavaju se i ne mogu rezati.	Lančanik se zaglavio i začepio naslagama otpada.	<ol style="list-style-type: none"> 1. Očistite lančanik. 2. Napunite čistim mazivom za vodilicu i lanac.
	Zategnutost lanca je prevelika ili preslaba.	Pogledajte u Pođešavanje zategnutosti lanca u priručniku.
	Lanac je tup	Naoštrite ili zamijenite lanac.
	Lanac je naopako montiran.	Izvadite lanac i okrenite ga na pravu stranu.

Problem	Mogući uzrok	Rješenje
Motor radi, ali pila ne reže pravilno ili se motor zaustavi nakon otprilike 3 sekunde.	Kad stroj upotrebljavate pod opterećenjem, on se zaustavlja.	1. otpustite okidač. 2. Ponovno pokrenite stroj.
	Lanac nije podmazan.	Podmažite lanac kako biste smanjili trenje.

8 TEHNIČKI PODACI

Napon	82 V DC
Brzina vrtnje bez opterećenja	20.5 m/s
Dužina reza	250 mm
Količina ulja lanca	150 ml
Težina (bez baterijskog modula)	5.35 kg
Izmjerena razina tlaka zvuka	$L_{pA} = 83 \text{ dB(A)}$, $K_{pA} = 3 \text{ dB(A)}$
Zajamčena razina snage zvuka	$L_{WA,d} = 99 \text{ dB(A)}$
Vibracije	$< 2.5 \text{ m/s}^2$, $K=1,5 \text{ m/s}^2$
Lanac	25AP058X
Vodilica	100SDAA041(509877)
Model baterije	82V180, 82V290P, 82V360, 82V580P i druge BAB serije
Model punjača	82C6 i druge CAB serije
IPX	IPX4

9 EZ IZJAVA O SUKLADNOSTI

Naziv i adresa proizvođača:

Naziv: GLOBGRO AB
Globe Group Europe
Adresa: Riggaregatan 53, 211 13 Malmö, Švedska

Naziv i adresa osobe ovlaštene za kompiliranje tehničke datoteke:

Naziv: Micael Johansson
Adresa: Riggaregatan 53, 211 13 Malmö, Švedska

Ovime izjavljujemo da proizvod

Kategorija: Štapna pila
Model: 82PST39(PSB402)

Serijski broj: Pogledajte natpis s nazivnim podacima
Godina proizvodnje: Pogledajte natpis s nazivnim podacima

- je u sukladnosti s relevantnim odredbama direktive o strojevima 2006/42/EZ.
- je u sukladnosti s odredbama sljedećih ostalih EZ direktiva:
 - 2014/30/EU
 - 2000/14/EZ i 2005/88/EZ
 - 2011/65/EU i (EU)2015/863

Štoviše, izjavljujemo da su korišteni sljedeći (dijelovi/rečenice) usklađeni europski standardi:

- EN 60745-1, EN ISO 11680-1, EN 55014-1, EN 55014-2, EN ISO 3744, ISO 11094, IEC 62321-3-1, IEC 62321-4, IEC 62321-5, IEC 62321-6, IEC 62321-7-1, IEC 62321-7-2, IEC 62321-8

Izmjerena razina snage zvuka: $L_{WA}: 95.7 \text{ dB(A)}$

Zajamčena razina snage zvuka: $L_{WA,d}: 99 \text{ dB(A)}$

Metoda procjene sukladnosti prema dodatku direktive 2000/14/EZ.

Broj EZ certifikata o tipskom ispitivanju: Izdao/la SGS Fimko Ltd (0598), Takomotie 8, FI-00380 Helsinki, Finland.

Mjesto, datum Malmo, 11.11.2021 Potpis: Ted Qu, direktor za kvalitetu

Ted Qu

1	Leírás.....	112	3.9	Az akkumulátoregység kivétele.....	113
1.1	Cél.....	112	4	Üzemeltetés.....	113
1.2	Áttekintés.....	112	4.1	Ellenőrizze a lánc olajozását.....	114
2	Az elektromos szerszámokra vonatkozó általános biztonsági figyelmeztetések.....	112	4.2	A gép elindítása.....	114
3	Összeszerelés.....	112	4.3	A gép leállítása.....	114
3.1	A gép kicsomagolása.....	112	4.4	Fa ágtalanítása.....	114
3.2	Láncvezető és lánc kenőanyag feltöltése.....	112	4.5	Ágazás.....	114
3.3	A láncvezető és lánc összeszerelése.....	113	5	Karbantartás.....	114
3.4	Használja a vállszíjat.....	113	5.1	A lánc feszességének beállítása.....	114
3.5	A tengely hosszúságának beállítása.....	113	5.2	Pengék élezése.....	114
3.6	A magassági ágvágó szögének beállítása.....	113	5.3	A láncvezető karbantartása.....	115
3.7	Vágás előkészítése.....	113	6	Szállítás és tárolás.....	115
3.8	Helyezze be az akkumulátoregységet.....	113	7	Hibaelhárítás.....	115
			8	Műszaki adatok.....	116
			9	EK megfelelőségi nyilatkozat.....	116

1 LEÍRÁS

1.1 CÉL

A termék vágóegységgel van ellátva, amely a rúdra van felszerelve, hogy a kezelő álló fák ágait le tudja vágni, de nem alkalmas fák olyan vágásához, mintha normál lánfűrész használnának.

Ezt a berendezést nem használhatják olyan személyek (gyermeket is beleértve), akik csökkent fizikai, érzékszervi vagy szellemi képességekkel rendelkeznek, vagy nem rendelkeznek kellő belátással és tudással, kivéve azt az esetet, ha az említett személyek a biztonságukért felelős személy felügyelete alatt állnak, vagy ilyen személytől kaptak utasítást a berendezés használatára vonatkozóan.

A gyermekeket mindig felügyelni kell, hogy ne játszhassanak a készülékkel.

1.2 ÁTTEKINTÉS

1-20.. ábra

- | | |
|-----------------------------|-----------------------------------|
| 1 Zár kioldó gomb | 12 Fűrészlánc |
| 2 Kis zárkioldó gomb | 13 Olajtartály sapka |
| 3 Kioldó | 14 Olajsint jelző |
| 4 Segédfogantyú | 15 Láncevezető horony |
| 5 Magassági ágvágó fogantyú | 16 Penge |
| 6 Hordozófül | 17 Lánchajtó szemek |
| 7 Menetes sapka | 18 Lánckerék |
| 8 Ágvágó hosszabbító | 19 Láncefűtő rugós rögzítő nyílás |
| 9 Magassági ágvágó fej | 20 Láncburkolat rögzítő anyja |
| 10 Láncburkolat | 21 Láncefűtő csavar |

2 AZ ELEKTROMOS SZERSZÁMOKRA VONATKOZÓ ÁLTALÁNOS BIZTONSÁGI FIGYELMEZTETÉSEK

▲ FIGYELMEZTETÉS

Olvassa el az elektromos kéziszerszámhoz mellékelt összes biztonsági figyelmeztetést, utasítást, ábrát és specifikációt. Az alább felsorolt utasítások be nem tartása áramütést, tüzvészelyt és/vagy súlyos sérülést idézhet elő.

Őrizzon meg minden figyelmeztetést és utasítást, hogy később is elő tudja majd venni.

Az „elektromos kéziszerszám” megnevezés a figyelmeztetésekből egyaránt vonatkozik a hálózati feszültségről meghajtott elektromos kéziszerszámokra (hálózati vezetékkel rendelkező elektromos kéziszerszámok), valamint az AKKUMULÁTORRÓL működtetett elektromos

kéziszerszámokra (hálózati vezeték nélküli elektromos kéziszerszámok).

3 ÖSSZESZERELÉS

3.1 A GÉP KICSOMAGOLÁSA

▲ FIGYELMEZTETÉS

Használat előtt ellenőrizze, hogy megfelelően szerelte-e össze a gépet.

▲ FIGYELMEZTETÉS

- Amennyiben bizonyos alkatrészek sérültek, ne használja a gépet.
- Ha nincs meg minden alkatrész, ne működtesse a gépet.
- Ha alkatrészek sérültek vagy hiányoznak, forduljon a szervizközponthoz.

1. Nyissa ki a csomagolást.
2. Olvassa el a dobozban lévő dokumentációt.
3. Vegyen ki minden nem összeszerelt alkatrészt a dobozból.
4. Vegye ki a gépet a dobozból.
5. A dobozt és a csomagolást a helyi szabályoknak megfelelően ártalmatlanítsa.

3.2 LÁNCEVEZETŐ ÉS LÁNC KENŐANYAG FELTÖLTÉSE

Ellenőrizze az olaj mennyiségét a gépben. Ha az olajsint alacsony, akkor töltsen fel a láncevezető és láncekenőanyagot a következőképpen.

i FONTOS

Olyan láncevezető és láncekenőanyagot használjon, amely csak láncevezető és láncekenőanyaghoz készült.

i MEGJEGYZÉS

A gép a gyárból láncevezető és láncekenőanyag nélkül érkezik.

1. Oldja ki, és távolítsa el a sapkát az olajtartályról.
2. Öntse az olajat az olajtartályba.
3. Ellenőrizze az olajsint jelzőt, és gondoskodjon arról, hogy ne kerüljön szennyeződés az olajtartályba az olaj betöltése közben.
4. Helyezze fel az olajtartály sapkáját.
5. Húzza meg a sapkát.
6. A teljesen feltöltött olajtartály 15-40 perc üzemidőre elegendő.

i FONTOS

Ne használjon piszkos, használt vagy szennyezett olajat. A láncevezető vagy a láncekenőanyag megsemmisülhet.

3.3 A LÁNCVEZETŐ ÉS LÁNC ÖSSZESZERELÉSE

Ábra 10-14.

1. Vegye ki az akkumulátoregységet a gépből.
2. Távolítsa el a láncburkolat csavarjait a fogóval.
3. Vegye le a láncburkolatot.
4. Helyezze a lánchajtót balra a lánchoronyba.
5. Helyezze a fűrészláncot a lánc működési irányába.
6. Helyezze a láncot pozícióba, és ellenőrizze, hogy a hurok a láncvezető mögött van-e.
7. Tartsa a láncot és a láncvezetőt.
8. Tegye a lánchurkot a láncvezető köré.
9. Ellenőrizze, hogy a láncvezetőn lévő láncfeszítő csap nyílása megfelelően illeszkedik-e a csavarral.
10. Helyezze fel a láncburkolatot.
11. Húzza meg a láncot. Lásd *Állítsa be a lánc feszességét*.
12. Húzza meg a csavarokat, ha a lánc kellően feszes.

i MEGJEGYZÉS

Ha új láncsal kezd dolgozni a láncfűrésszel, előbb végezzen próbát 2-3 percig. Ezután ellenőrizze újra a feszességet, és szükség esetén húzza meg a láncot.

3.4 HASZNÁLJA A VÁLLSZIJÁT

Ábra 4.

1. Csatlakoztassa a karabinert a rúd szállítógyűrűjére.
2. Tegye fel a vállszíjat.
3. A szíj hosszát úgy állítsa be, hogy a karabiner a jobb csípője alatti kezének szélessége legyen.

3.5 A TENGELY HOSSZÚSÁGÁNAK BEÁLLÍTÁSA

3.. ábra

1. Lazítsa meg a gallért az óramutató járásával ellentétes irányba forgatva.
2. A magassági ágvágó hosszúságának beállításához húzza az ágvágó hosszabbítót felfelé vagy hátrafelé.
3. Szorítsa meg a gallért.

3.6 A MAGASSÁGI ÁGVÁGÓ SZÖGÉNEK BEÁLLÍTÁSA

A magassági ágvágó fej két szögbe állítható: 0° vagy 90°, a magassági ágvágó függőlegesen vagy vízszintesen vág.

6.. ábra

1. A csavarokkal lazítsa meg a magassági ágvágó fejen található két csavart.

2. Fordítsa el a magassági ágvágó fejet 90°-kal, amíg a csavarok nem illeszkednek a nyélen található csavarnyílásokba.
3. Húzza meg a csavarokat.

3.7 VÁGÁS ELŐKÉSZÍTÉSE

Ábra 4.

Fa vágása előtt gondoskodjon arról, hogy

- Viseljen vastag kesztyűt a maximális fogás és védelem érdekében.
- Működés közben folyamatosan fogja megfelelően a gépet.
 - Használja a hátsó fogantyú jobb fogóját, míg bal kezével a rúd tengelyét fogja.
 - Tartsa testét a lántól balra.
 - Soha ne használja a bal kezés (keresztirányú) fogót, vagy bármit, amihez a testét vagy karját a lánc fölé kell tartania.
- Soha ne álljon közvetlenül a kivágni kívánt ág alatt.
- Működés közben rendszeresen vizsgálja meg a gallérok szorosságát.

3.8 HELYEZZE BE AZ AKKUMULÁTOREGYSÉGET.

Ábra 5.

▲ FIGYELMEZTETÉS

- Ha az akkumulátoregység vagy a töltő sérült, akkor cserélje ki az akkumulátoregységet vagy a töltőt.
- Állítsa le a motort, és várjon, amíg a motor leáll, mielőtt felhelyezi vagy leveszi az akkumulátoregységet.
- Olvassa el, ismerje meg, és tartsa be akkumulátor és a töltő használati útmutatójában lévő utasításokat.

1. Illesze az akkumulátoregységen lévő emelőbordákat akkumulátortartóban lévő hornyokba.
2. Tolja be akkumulátoregységet az akkumulátortartóba, amíg az akkumulátoregység a helyére nem rögzül.
3. Amikor kattánást hall, az akkumulátoregység be van helyezve.

3.9 AZ AKKUMULÁTOREGYSÉG KIVÉTELE

5. ábra

1. Nyomja meg, és tartsa lenyomva a kioldógombot.
2. Vegye ki az akkumulátoregységet a gépből.

4 ÜZEMELTETÉS

i MEGJEGYZÉS

Vegye ki az akkumulátoregységet, és ne nyúljon a kioldó gombhoz, amikor a gépet szállítja.

i FONTOS

Minden használat előtt ellenőrizze a lánc feszességét.

4.1 ELLENŐRIZZE A LÁNC OLAJOZÁSÁT.**i MEGJEGYZÉS**

Ne használja a gépet a lánc kellő olajozása nélkül.

Ábra 2.

1. Ellenőrizze a kenőanyag szintjét az olajsint jelzővel.
2. Ha szükséges, akkor töltsön be még több kenőanyagot.

4.2 A GÉP ELINDÍTÁSA

7.. ábra

1. Tegyze be az akkumulátoregységet a gépbe.
2. Nyomja meg a biztonsági zár gombot.
3. Nyomja felfelé a kis biztonsági zár gombot.
4. Nyomja meg a triggert.

4.3 A GÉP LEÁLLÍTÁSA

Ábra 7.

1. A gép leállításához engedje el a triggert.

4.4 FA ÁGTALANÍTÁSA

Ábra 8.

▲ FIGYELMEZTETÉS

Bizonyosodjon meg róla, hogy senki nem tartózkodik azon a területen, ahová az ágak hullanak.

- Álljon a levágni kívánt ággal szembe.
- Kezdje a vágást a magasabban lévő ágakkal.
- Utána vágja le az alacsonyabban lévő ágakat.
- Vágjon lefelé, hogy meggátolja a vezetőlemez beragadását.

4.5 ÁGAZÁS

Az ágazás során a ledőlт fáról kell eltávolítani az ágakat.

Ábra 9.

1. Hagyja meg a nagyobb alsó ágakat, hogy azok eltartsák a fát a talajtól.
2. Egy vágással távolítsa el a kisebb ágakat.
3. Lentől felfelé végezze az ágazást.
4. Tartsa meg a nagyobb alsó ágakat tartóként, amíg a fárónk le nincs ágazva.

5 KARBANTARTÁS**▲ VIGYÁZAT**

Ne hagyja, hogy a fékfolyadék, gázolaj, petróleum alapú anyagok a műanyag alkatrészekhez érjenek. A vegyszerek megrongálhatják a műanyagot, és javíthatatlanná teszik ezeket.

▲ VIGYÁZAT

Ne használjon erős oldószereket vagy tisztítószereket a műanyag burkolaton vagy a komponenseken.

▲ FIGYELMEZTETÉS

Karbantartás előtt vegye ki az akkumulátoregységet a gépből.

5.1 A LÁNC FESZESSÉGÉNEK BEÁLLÍTÁSA

10.13.14. ábra

▲ VIGYÁZAT

Viseljen védőkesztyűt, amikor a lánchoz, a lánchevetőhöz vagy a lánc körüli részekhez ér.

1. Lazítsa meg a láncburkolatot úgy, hogy a láncburkolat rögzítő anyát az óramutató járásával ellenkező irányba forogtja.

i MEGJEGYZÉS

A lánc feszességének beállításához nem szükséges levenni a láncburkolatot.

2. A láncfeszesség növeléséhez fordítsa el a láncheállító csavart az óramutató járásával megegyező irányba.
3. A láncfeszesség csökkentéséhez forgassa a láncheállító csavart az óramutató járásával megegyező irányba.
4. Amikor a lánc elérte a kívánt feszességet, húzza meg a lánc burkolatot.

5.2 PENGÉK ÉLEZÉSE

A pengéket élezze meg, ha a lánc nehezen megy bele a fába.

i MEGJEGYZÉS

Javasoljuk, hogy a fontos élezési munkát egy olyan szervizben végezzék el, ahol van elektromos élező.

Ábra 15-18.

1. Lánc megfeszítése.
2. A pengéket egy 5/32 in. (4 mm) átmérőjű kerek reszelővel élezze meg.
3. Egy lapos reszelővel élezze meg a felső lemezt, a kistányért és a vágásidomot.

4. Élezze meg az összes pengét a meghatározott szögben és egyforma hosszúságban.

i MEGJEGYZÉS

A folyamat közben

- tartsa az élezendő felülettel párhuzamosan a reszelőt.
- A reszelőrúd közepét fogja.
- Fejtsen ki könnyű, de erős nyomást a felület élezésénél.
- A visszafelé mozgásnál emelje el a reszelőt.
- A pengéket egy oldalon élezze meg, majd térjen át a másik oldalra.

Cserélje ki a láncot, ha:

- A vágóélek hossza 5 mm-nél rövidebb.
- Túl nagy hely van a lánchajtó szemek és a szegecsek között.
- A vágás sebessége túl lassú
- Többször megélezte a láncot, de az nem növelte a vágási sebességét. A lánc elhasználódott.

5.3 A LÁNCVEZETŐ KARBANTARTÁSA

Ábra 19-20.

i MEGJEGYZÉS

Rendszeresen fordítsa meg, hogy a láncvezetőt szimmetrikusan használja.

1. Kenje be a csapágákat a láncvezető kerék nyílásánál (ha van ilyen) a fecskendővel (nem tartozék).
2. Tisztítsa meg a láncvezető hornyot a kaparó horoggal (nem tartozék).
3. Tisztítsa meg az olajozó nyílásokat.
4. Távolítsa el a forgácsokat a szélekről, és tegye vízszintessé a pengéket egy lapos reszelővel.

Cserélje ki a láncvezetőt, ha:

- a horony nem illik a lánchajtó szemek magasságához (amely soha nem érhet az aljához).
- a láncvezető belseje elhasználódott, és a lánc az egyik oldalra dől.

6 SZÁLLÍTÁS ÉS TÁROLÁS

Mielőtt áthelyezi a gépet, mindig

- Vegye ki az akkumulátoregységet a gépből.
- Ne érjen a zár kioldó gombhoz.
- Helyezze fel a tartót a láncvezetőre és a lánkra.

Mielőtt elrakja a gépet, mindig

- Távolítsa el az összes maradék olajat a gépből.
- Vegye ki az akkumulátoregységet a gépből.
- Tisztítson le minden idegen anyagot a gépről.
- Gondoskodjon arról, hogy a tárolási területhez

- gyermekek ne férjenek hozzá.
- Tartsa távol olyan szerektől, amelyek rozsdásodást okozhatnak, például a kerti vegyszereket és jégmentesítő sókat.

7 HIBAEMLHÁRÍTÁS

Probléma	Lehetséges ok	Megoldás
A gép nem indul el.	A rudak nem megfelelően vannak felszerelve.	Szerelje össze a rudakat az utasításoknak megfelelően.
	A zárkioldó gombot és a ravaszt nem egyszerre nyomták meg.	<ol style="list-style-type: none"> 1. Nyomja meg és tartsa lenyomva a zárkioldó gombot 2. Húzza meg a ravaszt, miközben a zárkioldó gombot lenyomva tartja. 3. A gép elindításához engedje el a zárkioldó gombot.
A vezetőlemez és a lánc felforrósodik és füstöl.	Az olajtartály üres.	Töltse fel az olajtartályt.
	A kiadó csatlakozó elzáródott.	<ol style="list-style-type: none"> 1. Vegye le az akkumulátoregységet. 2. Távolítsa el a szennyeződést a kiemlőnyílásról.
	A belső olajtartály bemeneti nyílása elzáródott.	<ol style="list-style-type: none"> 1. Tisztítsa meg az olajtartályt. 2. Töltse fel tiszta vezetőlemez- és lánccenő olajjal.
	A láncvezető be ragadt és eltömődött törmelékkel.	<ol style="list-style-type: none"> 1. Tisztítsa meg a láncvezetőt. 2. Töltse fel tiszta vezetőlemez- és lánccenő olajjal.

Probléma	Lehetséges ok	Megoldás
A vezetőlemez és a lánc túlságosan felforrósodik és nem vág.	A lánc túl feszes vagy túl laza.	Olvassa el a kézikönyv „A lánc feszességének beállítására” című részét.
	A lánc eltompult	Élezze meg, vagy cserélje ki a láncot.
	A láncot fordítva tették fel.	Vegye ki a láncot, és fordítsa a megfelelő irányba.
A motor működik, de a lánc nem vág rendesen, vagy a motor 3 másodperc után leáll.	Ha terhelés alatt használja a gépet, akkor leáll.	<ol style="list-style-type: none"> Engedje el a ravaszt. Indítsa el újra a gépet.
	A lánc nincs bekenve.	Kenje be a láncot a súrlódás csökkentéséhez.

8 MŰSZAKI ADATOK

Feszültség	82 V DC
Üresjárat sebesség	20,5 m/s
Láncvezető hossza	250 mm
Lánc olaj kapacitás	150 ml
Súly (akkumulátoregység nélkül)	5,35 kg
Mért hangnyomásszint	$L_{pA} = 83 \text{ dB(A)}$, $K_{pA} = 3 \text{ dB(A)}$
Garantált hangteljesítményszint	$L_{WA,d} = 99 \text{ dB(A)}$
Rezgés	$< 2,5 \text{ m/s}^2$, $K = 1,5 \text{ m/s}^2$
Lánc	25AP058X
Láncvezető	100SDAA041(509877)
Akkumulátor modell	82V180, 82V290P, 82V360, 82V580P és más BAB sorozat
Töltő modell	82C6 és más CAB sorozat
IPX	IPX4

9 EK MEGFELELŐSÉGI NYILATKOZAT

A gyártó neve és címe:

Név: GLOBGRO AB
Globe Group Europe

Cím: Riggaregatan 53, 211 13 Malmö, Svédország

A műszaki fájl szerkesztésére felhatalmazott személy neve és címe:

Név: Micael Johansson

Cím: Riggaregatan 53, 211 13 Malmö, Svédország

Ezennel kijelentjük, hogy a termék

Kategória: Magassági ágvágvó
Modell: 82PST39(PSB402)
Sorozatszám: Lásd a termék típusabláját
Gyártás éve: Lásd a termék típusabláját

- megfelel a gépekről szóló 2006/42/EK irányelv alapvető követelményeinek.
- megfelel a következő egyéb EU irányelvek követelményeinek:
 - 2014/30/EU
 - 2000/14/EK és 2005/88/EK
 - 2011/65/EU és (EU)2015/863

Továbbá kijelentjük, hogy a következő Európai harmonizált szabványokat (azok részeit/kikötéseit) alkalmaztuk:

- EN 60745-1, EN ISO 11680-1, EN 55014-1, EN 55014-2, EN ISO 3744, ISO 11094, IEC 62321-3-1, IEC 62321-4, IEC 62321-5, IEC 62321-6, IEC 62321-7-1, IEC 62321-7-2, IEC 62321-8

Mért hangteljesítményszint: $L_{WA} = 95,7 \text{ dB(A)}$

Garantált hangteljesítményszint: $L_{WA,d} = 99 \text{ dB(A)}$

Megfelelőségértékelési módszer a 2000/14/EK irányelv V. melléklete szerint.

Az EK-típusvizsgálati tanúsítvány száma: kiadta SGS Fimko Ltd (0598), Takomotie 8, FI-00380 Helsinki, Finland.

Hely, dátum: Malmö, 11.11.2021 Aláírás: Ted Qu, minőségbiztosítási vezető

Ted Qu

1	Descriere.....	118	4	Funcționare.....	120
1.1	Scop.....	118	4.1	Examinați lubrifierea lanțului.....	120
1.2	Prezentare generală.....	118	4.2	Pornirea mașinii.....	120
2	Avertizări generale de siguranță pentru scule electrice.....	118	4.3	Oprirea mașinii.....	120
3	Instalare.....	118	4.4	Tăierea crengilor unui copac	120
3.1	Dezambalarea mașinii.....	118	4.5	Tăierea crengilor unui copac doborât.....	120
3.2	Adăugarea lubrifiantului pentru șină și lanț.....	118	5	Întreținere.....	120
3.3	Asamblați șina de ghidare și lanțul.....	119	5.1	Reglarea tensiunii lanțului.....	120
3.4	Utilizarea curelei de umăr.....	119	5.2	Ascuțiți cuțitele.....	120
3.5	Reglarea lungimii tijei ferăstrăului.....	119	5.3	Întreținerea șinei de ghidare.....	121
3.6	Reglați unghiul capului ferăstrăului cu tijă.....	119	6	Transport și depozitare.....	121
3.7	Pregătirea pentru tăiere.....	119	7	Depanare.....	121
3.8	Instalarea setului de acumulatori.....	119	8	Date tehnice.....	122
3.9	Scoaterea setului de acumulatori.....	119	9	Declarație de conformitate CE.....	122

1 DESCRIERE

1.1 SCOP

Produsul este echipat cu un accesoriu de tăiere montat pe o tijă, pentru a-i permite operatorului să taie crengile copacilor vii, dar nu este destinat pentru tăierea lemnului, precum ferăstrăul normal cu lanț.

Acest aparat nu este destinat folosirii de către persoane (inclusiv copii) cu capacitate de înțelegere redusă, sau lipsite de experiență sau cunoștințe, exceptând cazul în care acestea sunt supravegheate sau instruite în prealabil cu privire la utilizarea aparatului de o persoană responsabilă de securitatea lor.

Copiii trebuie supravegheați pentru a se asigura că nu se joacă cu aparatul.

1.2 PREZENTARE GENERALĂ

Figura 1-20.

- | | |
|---------------------------|---|
| 1 Buton de blocare | 14 Indicator de ulei |
| 2 Buton mic de blocare | 15 Canelura șinei de ghidare |
| 3 Declanșator | 16 Cuțit |
| 4 Mâner auxiliar | 17 Legături de antrenare a lanțului |
| 5 Mâner ferăstrău cu tijă | 18 Roată de lanț |
| 6 Inel de transport | 19 Gaură pentru știft de întindere a lanțului |
| 7 Manșon cu filet | 20 Piuliță de blocare capac lanț |
| 8 Tijă de extensie | 21 Șurub de tensionare a lanțului |
| 9 Cap ferăstrău cu tijă | |
| 10 Capacul lanțului | |
| 11 Șină de ghidare | |
| 12 Lanț de ferăstrău | |
| 13 Capac rezervor de ulei | |

2 AVERTIZĂRI GENERALE DE SIGURANȚĂ PENTRU SCULE ELECTRICE

▲ AVERTISMENT

Citiți toate avertismentele privind siguranța, instrucțiunile, ilustrațiile și specificațiile furnizate cu această sculă electrică. *Nerespectarea tuturor instrucțiunilor menționate mai jos se poate solda cu șoc electric, incendiu și/sau vătămare corporală gravă.*

Păstrați toate avertizările și instrucțiunile pentru consultare ulterioară.

Termenul „sculă electrică” din avertizări se referă la scula dumneavoastră electrică (cu fir) sau alimentată de la ACUMULATOR (fără fir).

3 INSTALARE

3.1 DEZAMBALAREA MAȘINII

▲ AVERTISMENT

Asigurați-vă că ați asamblat corect mașina înainte de utilizare.

▲ AVERTISMENT

- Dacă piesele au deteriorări, nu utilizați mașina.
- Dacă nu aveți toate piesele, nu utilizați mașina.
- Dacă piesele sunt deteriorate sau lipsesc, discutați cu centrul de service.

1. Deschideți ambalajul.
2. Citiți documentația din cutie.
3. Scoateți toate piesele neasamblate din cutie.
4. Scoateți mașina din cutie.
5. Eliminați cutia și ambalajul în conformitate cu reglementările locale.

3.2 ADĂUGAREA LUBRIFIANTULUI PENTRU ȘINĂ ȘI LANȚ

Examinați cantitatea de ulei din mașină. Dacă nivelul uleiului este scăzut, adăugați lubrifiant pentru șină și lanț după cum urmează.

i IMPORTANT

Utilizați un lubrifiant pentru șină și lanț care este destinat numai lanțurilor și garniturilor de lanț.

i NOTĂ

Mașina este livrată din fabrică fără lubrifiant pentru șină și lanț.

1. Desfaceți și scoateți capacul de pe rezervorul de ulei.
2. Introduceți uleiul în rezervorul de ulei.
3. Monitorizați indicatorul de ulei pentru a vă asigura că nu există murdărie în rezervorul de ulei în timp ce adăugați uleiul.
4. Puneți la loc capacul de ulei.
5. Strângeți capacul de ulei.
6. Un rezervor de ulei umplut complet va dura 15 - 40 de minute de funcționare.

i IMPORTANT

Nu utilizați lubrifianți murdari, uzați sau contaminați. Puteți deteriora șina sau lanțul.

3.3 ASAMBLAȚI ȘINA DE GHIDARE ȘI LANȚUL

Figura 10-14.

1. Scoateți setul de acumulatori din mașină.
2. Îndepărtați piulițele capacului lanțului cu ajutorul cheii.
3. Îndepărtați capacul lanțului.
4. Puneți legăturile de antrenare a lanțului în canelura șinei.
5. Puneți cuțitele de lanț în direcția funcționării lanțului.
6. Puneți lanțul în poziție și asigurați-vă că bucla se află în spatele șinei de ghidare.
7. Țineți lanțul și șina.
8. Puneți bucla lanțului în jurul roții de lanț.
9. Asigurați-vă că orificiul șurubului de tensionare a lanțului de pe șina de ghidare se potrivește corect cu șurubul.
10. Instalați capacul lanțului.
11. Strângeți lanțul. Consultați *Reglați tensiunea în lanț*.
12. Strângeți piulițele când lanțul este bine tensionat.

i NOTĂ

Dacă porniți ferăstrăul cu lanț cu un lanț nou, efectuați un test timp de 2-3 minute. După aceea, examinați din nou tensiunea și strângeți lanțul, dacă este necesar.

3.4 UTILIZAREA CURELEI DE UMĂR

Figura 4.

1. Atașați carabina de inel de transport de pe tijă.
2. Puneți pe umăr cureaua de umăr.
3. Reglați lungimea curelei astfel încât carabina să fie la o distanță de aproximativ o lățime de palmă sub șoldul drept.

3.5 REGLAREA LUNGIMII TIJEI FERĂSTRĂULUI

Figura 3.

1. Slăbiți manșonul rotindu-l în sens invers acelor de ceas.
2. Trageți tijă extensibilă în sus sau înapoi pentru a regla lungimea ferăstrăului cu tijă.
3. Strângeți manșonul.

3.6 REGLAȚI UNGHIUL CAPULUI FERĂSTRĂULUI CU TIJĂ

Capul ferăstrăului cu tijă are două unghiuri: 0° sau 90°, ferăstrăul cu tijă poate tăia vertical sau orizontal.

Figura 6.

1. Slăbiți cele două șuruburi de pe capul ferăstrăului cu tijă folosind cheia.

2. Rotiți capul ferăstrăului cu tijă cu 90° până când șuruburile se potrivește în orificiile pentru șuruburi de pe tijă.
3. Strângeți șuruburile.

3.7 PREGĂTIREA PENTRU TĂIERE

Figura 4.

Înainte de a începe să tăiați, asigurați-vă că

- Purtați mănuși pentru condiții grele pentru apucarea mânerului și protecție maximă.
- Mențineți o prindere corespunzătoare a mânerului mașinii în timpul funcționării.
 - Folosiți mâna dreaptă pentru a ține mânerul din spate, iar cu mâna stângă apucați strâns de tijă.
 - Țineți corpul în stânga liniei lanțului.
 - Nu utilizați niciodată un mod de apucare cu mâna stângă (incrucșat) sau corpul vreoa poziție care vă plasează sau brațul de- a lungul liniei lanțului.
 - Nu stați niciodată sub creanga pe care o tăiați.
 - Examinați periodic strângerea colierelor în timpul funcționării.

3.8 INSTALAREA SETULUI DE ACUMULATORI

Figura 5.

▲ AVERTISMENT

- Dacă setul de acumulatori sau încărcătorul este deteriorat, înlocuiți setul de acumulatori sau încărcătorul.
- Opriti mașina și așteptați până când motorul se oprește înainte de a instala sau a scoate setul de acumulatori.
- Citiți, cunoașteți și urmați instrucțiunile din manualul setului de acumulatori și al încărcătorului.

1. Aliniați nervurile de ridicare ale setului de acumulatori cu canelurile din compartimentul setului de acumulatori.
2. Împingeți setul de acumulatori în compartimentul acestuia până când setul de acumulatori se blochează în poziție.
3. Când auziți un clic, setul de acumulatori este instalat.

3.9 SCOATEREA SETULUI DE ACUMULATORI

Figura 5.

1. Apăsăți și mențineți apăsat butonul de eliberare a setului de acumulatori.
2. Scoateți setul de acumulatori din mașină.

4 FUNCȚIONARE

i NOTĂ

Scoateți acumulatorul și țineți mâinile departe de butonul de blocare atunci când deplasați mașina.

i IMPORTANT

Examinați tensionarea lanțului înainte de fiecare utilizare.

4.1 EXAMINAȚI LUBRIFIEREA LANȚULUI.

i NOTĂ

Nu utilizați mașina fără lubrifiere suficientă a lanțului.

Figura 2.

1. Examinați nivelul de lubrifiant de la indicatorul de ulei.
2. Adăugați lubrifiant suplimentar dacă este nevoie.

4.2 PORNIREA MAȘINII

Figura 7.

1. Introduceți setul de acumulatori în mașină.
2. Apăsați pe butonul de blocare de siguranță.
3. Ridicați butonul mic de siguranță.
4. Apăsați trăgaciul.

4.3 OPRIREA MAȘINII

Figura 7.

1. Eliberați declanșatorul pentru a opri mașina.

4.4 TĂIEREA CRENGILOR UNUI COPAC

Figura 8.

▲ AVERTISMENT

Asigurați-vă că nimeni sau nimic nu se află în locul unde urmează să cadă crengile.

- Poziționați-vă în partea opusă crengii pe care o veți tăia.
- Începeți prin a tăia crengile mai înalte.
- După care tăiați crengile mai joase.
- Tăiați în jos pentru a evita blocarea șinei.

4.5 TĂIEREA CRENGILOR UNUI COPAC DOBORÂT

Tăierea crengilor unui copac doborât reprezintă îndepărtarea ramurilor acestuia.

Figura 9.

1. Mențineți crengile inferioare mai mari pentru a ține trunchiul la distanță de sol.
2. Îndepărtați crengile mici dintr-o singură tăietură.
3. Tăiați crengile tensionate de jos în sus.
4. Mențineți crengile inferioare mai mari ca suport până când trunchiul este tăiat.

5 ÎNTREȚINERE

▲ ATENȚIE

Nu lăsați componentele din plastic să intre în contact cu lichid de frână, benzină, materiale pe bază de petrol. Produsele chimice pot provoca deteriorarea materialului plastic și îl pot face neutilizabil.

▲ ATENȚIE

Nu utilizați solvenți sau detergenți puternici pe carcasa sau componentele din plastic.

▲ AVERTISMENT

Scoateți setul de acumulatori din mașină înainte de efectuarea întreținerii.

5.1 REGLAREA TENSIUNII LANȚULUI

Figura 10.13.14

▲ ATENȚIE

Purtați mănuși de protecție dacă atingeți lanțul, șina sau zonele din jurul lanțului.

1. Desfaceți capacul lanțului rotind piulița de blocare a capacului lanțului în sens invers acelor de ceasornic.
- ### i NOTĂ
- Nu este necesar să scoateți capacul lanțului pentru a regla tensiunea în lanț.
2. Rotiți șurubul de reglare a lanțului în sensul acelor de ceasornic pentru a crește tensiunea lanț.
 3. Rotiți șurubul de reglare a lanțului în sens invers acelor de ceasornic pentru a reduce tensiunea lanțului.
 4. Când lanțul se află la tensiunea dorită, strângeți capacul lanțului.

5.2 ASCUȚIȚI CUȚITELE

Ascuțiți cuțitele dacă nu este ușor să pătrundă lanțul în lemn.

i NOTĂ

Vă recomandăm să apelați la un centru de service, echipat cu ascuțitoare electrică, pentru efectuarea lucrărilor importante de ascuțire.

Figura 15-18..

1. Întinderea lanțului.
2. Ascuțiți colțul cuțitului cu o pilă rotundă cu diametrul de 5/32 inch (4 mm).
3. Ascuțiți placa superioară, placa laterală și limitatorul de adâncime cu o pilă plată.
4. Piliți toate cuțitele la unghiurile specificate și la aceeași lungime.

NOTĂ

În timpul procesului,

- Țineți pila plată cu suprafața de ascuțit.
- Utilizați punctul intermediar al barei pilei.
- Aplicați o presiune ușoară, dar fermă atunci când ascuțiți suprafața.
- Ridicați pila la fiecare cursă de întoarcere.
- Ascuțiți cuțitele de pe o parte și apoi treceți pe cealaltă parte.

Înlocuiți lanțul dacă:

- Lungimea muchiilor tăietoare este mai mică de 5 mm.
- Există prea mult spațiu între legăturile de antrenare și nituri.
- Viteza de tăiere este lentă
- Ascuțiți lanțul de multe ori, dar nu creșteți viteza de tăiere. Lanțul este uzat.

5.3 ÎNTREȚINEREA ȘINEI DE GHIDARE

Figura 19-20.

NOTĂ

Asigurați-vă că este rotită periodic pentru a menține uzura simetrică a șinei.

1. Lubrifiați lagărele de pe roata de lanț (dacă există) cu seringă (nu este inclusă).
2. Curățați canelura șinei cu cârligul de răzuire (nu este inclus).
3. Curățați orificiile de lubrifiere.
4. Îndepărtați bavurile de pe margini și aliniați cuțitele cu o pilă plată.

Înlocuiți șina dacă:

- canelura nu se potrivește cu înălțimea legăturilor de antrenare (care nu trebuie să atingă niciodată partea inferioară).
- interiorul șinei de ghidare este uzat și face ca lanțul să fie înclinat într-o parte.

6 TRANSPORT ȘI DEPOZITARE

Înainte de a deplasa mașina, întotdeauna

- Scoateți setul de acumulatori din mașină.
- Țineți mâinile departe de butonul de blocare.

- Puneți teaca pe șina de ghidare și lanț.

Înainte de a depozita mașina, întotdeauna

- Îndepărtați tot uleiul rezidual de pe mașină.
- Scoateți setul de acumulatori din mașină.
- Curățați toate materiile străine de pe mașină.
- Asigurați-vă că zona de depozitare este
 - Inaccessibilă pentru copii.
 - Departe de agenți care pot cauza coroziune, cum ar fi produsele chimice de grădină și sărurile de dezghețare.

7 DEPANARE

Problemă	Cauză posibilă	Soluție
Mașina nu pornește.	Tije nu sunt asamblate corect.	Asamblați tije conform instrucțiunilor.
	Butonul de blocare și declanșatorul nu sunt apăsați în același timp.	<ol style="list-style-type: none"> 1. Apăsati și țineți apăsat butonul de blocare. 2. În timp ce țineți apăsat butonul de blocare, acționați declanșatorul. 3. Eliberați butonul de blocare pentru a porni mașina.
Șina și lanțul se încălzesc și fumează.	Rezervorul de ulei este gol.	Umpleți rezervorul de ulei.
	Orificiul de descărcare este blocat.	<ol style="list-style-type: none"> 1. Îndepărtați setul de acumulatori. 2. Curățați murdăria din portul de evacuare.
	Orificiul de admisie al rezervorului de ulei interior este blocat.	<ol style="list-style-type: none"> 1. Curățați rezervorul de ulei. 2. Umpleți cu lubrifiant curat pentru șină și lanț.
	Roata de lanț este blocată și infundată cu resturi.	<ol style="list-style-type: none"> 1. Curățați roata de lanț. 2. Umpleți cu lubrifiant curat pentru șină și lanț.

Problemă	Cauză posibilă	Soluție
Șina și lanțul se încălzesc prea tare și nu pot să taie.	Tensiunea în lanț este prea mare sau prea redusă.	Consultați Reglarea tensiunii în lanț din manual.
	Lanțul este tocit.	Ascuțiți sau înlocuiți lanțul.
	Lanțul este montat invers.	Scoateți lanțul și amplasați-l în direcția corectă.
Motorul funcționează, dar lanțul nu taie corect sau motorul se oprește după aproximativ 3 secunde.	Când utilizați mașina în sarcină, aceasta se oprește.	<ol style="list-style-type: none"> Eliberați declanșatorul. Porniți mașina din nou.
	Lanțul nu este lubrifiat.	Lubrifiați lanțul pentru a micșora frecarea.

8 DATE TEHNICE

Tensiune	82 V DC
Turație de mers în gol	20.5 m/s
Lungimea șinei de ghidare	250 mm
Capacitate ulei de lanț	150 ml
Greutate (fără setul de acumulatori)	5.35 kg
Nivel de presiune sonoră măsurat	$L_{pA} = 83 \text{ dB(A)}$, $K_{pA} = 3 \text{ dB(A)}$
Nivel de putere acustică garantat	$L_{wA,d} = 99 \text{ dB(A)}$
Vibrații	$< 2.5 \text{ m/s}^2$, $K = 1,5 \text{ m/s}^2$
Lanț	25AP058X
Șină de ghidare	100SDAA041(509877)
Model de acumulator	82V180, 82V290P, 82V360, 82V580P și alte game BAB
Model de încărcător	82C6 și alte game CAB
IPX	IPX4

9 DECLARAȚIE DE CONFORMITATE CE

Numele și adresa producătorului:

Numele: GLOBGRO AB

Globe Group Europe

Adresa: Riggaregatan 53, 211 13 Malmö, Suedia

Numele și adresa persoanei autorizate să compileze dosarul tehnic:

Numele: Micael Johansson

Adresa: Riggaregatan 53, 211 13 Malmö, Suedia

Prin prezenta, declarăm că produsul

Categorie: Ferăstrău cu tijă

Model: 82PST39(PSB402)

Număr de serie: A se vedea eticheta cu caracteristici tehnice

Anul fabricației: A se vedea eticheta cu caracteristici tehnice

- este în conformitate cu prevederile relevante ale Directivei 2006/42/CE privind mașinile.
- este în conformitate cu prevederile următoarelor directive ale CE:
 - 2014/30/UE
 - 2000/14/CE și 2005/88/CE
 - 2011/65/UE și (UE)2015/863

În plus, declarăm că au fost utilizate următoarele (părți/clauze) ale standardelor europene armonizate:

- EN 60745-1, EN ISO 11680-1, EN 55014-1, EN 55014-2, EN ISO 3744, ISO 11094, IEC 62321-3-1, IEC 62321-4, IEC 62321-5, IEC 62321-6, IEC 62321-7-1, IEC 62321-7-2, IEC 62321-8

Nivel de putere acustică- L_{WA} : 95.7 dB(A)
că măsurat:

Nivel de putere acustică- $L_{WA,d}$: 99 dB(A)
că garantat:

Metoda de evaluare a conformității la Anexa V/Directiva 2000/14/CE.

Număr de certificat de examinare de tip CE: emis de SGS Fimko Ltd (0598), Takomotie 8, FI-00380 Helsinki, Finland.

Locul, data: Malmö,
11.11.2021

Semnătura: Ted Qu, Director Calitate

Ted Qu

1	Описание.....	124	4	Работа.....	126
1.1	Цел.....	124	4.1	Проверявайте смазването на веригата.....	126
1.2	Преглед.....	124	4.2	Стартиране на машината.....	126
2	Общи предупреждения за безопасност за електрически инструменти.....	124	4.3	Спрете машината.....	126
3	Монтаж.....	124	4.4	Кастрене на дърво.....	126
3.1	Разопаковане на машината.....	124	4.5	Кастрене на клони на дърво.....	126
3.2	Добавяне на смазочно средство за щангата и веригата.....	124	5	Поддръжка.....	126
3.3	Сглобяване на водещата щанга и веригата	125	5.1	Регулиране на обтягането на веригата.....	126
3.4	Употреба на ремъка за рамо.....	125	5.2	Заточване на резците.....	127
3.5	Настройка на дължината на пръта на триона.....	125	5.3	Поддръжка на водещата щанга.....	127
3.6	Регулиране на ъгъла на главата на триона.	125	6	Транспорт и съхранение.....	127
3.7	Подготовка за рязане.....	125	7	Отстраняване на неизправности.....	128
3.8	Монтиране на акумулаторната батерия.....	125	8	Технически данни.....	128
3.9	Снемете акумулаторната батерия.....	126	9	Декларация за съответствие на ЕО.....	129

1 ОПИСАНИЕ

1.1 ЦЕЛ

Продуктът е оборудван с режеща приставка монтирана върху прът, за позволяване на оператора да реже клони или изправени дървета, но не е предназначен за рязане на дърва като нормален верижен трион.

Този уред не е предназначен за употреба от лица (включително деца) с понижено възприемане или без опит и познания, освен ако не им е осигурено наблюдение или инструктаж относно употребата на уреда от лице отговорно за тяхната безопасност.

Децата трябва да бъдат наблюдавани за да се осигури, че не си играят с уреда.

1.2 ПРЕГЛЕД

Фигура 1-20.

- | | |
|--------------------------------|--|
| 1 Бутон за отключване | 13 Капачка на резервоара за маслото |
| 2 Малък бутон за заключване | 14 Маслен индикатор |
| 3 Спусък | 15 Жлеб на щангата |
| 4 Спомагателна ръкохватка | 16 Резец |
| 5 Ръкохватка на прътовия трион | 17 Задвижващи звена на веригата |
| 6 Пръстен за носене | 18 Верижно зъбно колело |
| 7 Винтова капачка | 19 Отвор за шифт за натягане на веригата |
| 8 Удължителен прът | 20 Застопоряваща гайка на капака на веригата |
| 9 Глава на прътовия трион | 21 Винт за обтягане на веригата |
| 10 Капак на веригата | |
| 11 Водеща щанга | |
| 12 Верига за трион | |

2 ОБЩИ ПРЕДУПРЕЖДЕНИЯ ЗА БЕЗОПАСНОСТ ЗА ЕЛЕКТРИЧЕСКИ ИНСТРУМЕНТИ

▲ ПРЕДУПРЕЖДЕНИЕ

Прочетете всички предупреждения, инструкции, илюстрации и спецификации, предоставени с този електрически инструмент. *Неспазването на всички инструкции по-долу може да доведе до токов удар, пожар и/или сериозно нараняване.*

Запазете всички предупреждения и инструкции за бъдещи справки.

Терминът "електрически инструмент" в предупрежденията се отнася до *захранвани от мрежата (кабелни) електрически инструменти или*

захранвани чрез БАТЕРИЯ (безкабелни) електрически инструменти.

3 МОНТАЖ

3.1 РАЗОПАКОВАНЕ НА МАШИНАТА

▲ ПРЕДУПРЕЖДЕНИЕ

Уверете се, че сте сглюбили машината по подходящ начин преди употреба.

▲ ПРЕДУПРЕЖДЕНИЕ

- Ако частите са повредени, не използвайте машината.
- Ако не разполагате с всички части, не работете с машината.
- Ако частите са повредени или липсват, говорете със сервизния център.

1. Отворете опаковката.
2. Прочетете документацията в кутията.
3. Извадете всички части, които не са сглюбени, от кутията.
4. Извадете машината от кутията.
5. Изхвърлете кутията и опаковката в съответствие с местните регулации.

3.2 ДОБАВЯНЕ НА СМАЗОЧНО СРЕДСТВО ЗА ЩАНГАТА И ВЕРИГАТА

Проверете количеството масло в машината. Ако нивото на маслото е ниско, добавете масло за щангата и веригата, както следва.

i ВАЖНО

Използвайте смазочно средство за щангата и веригата, което е предназначено само за вериги и масльонки за вериги.

i БЕЛЕЖКА

Машината се доставя фабрично със смазочно средство за щангата и веригата.

1. Отвинтете и отстранете капачката от масления резервоар.
2. Напълнете масло в масления резервоар.
3. Проверете масления индикатор, за да се уверите, че няма замърсявания в масления резервоар и добавете маслото.
4. Поставете маслената капачка.
5. Затегнете маслената капачка.
6. Изцяло напълненият маслен резервоар стига за 15 - 40 минути време на работа.

i ВАЖНО

Не използвайте нечисти, използвани или замърсени масла. Може да настъпят повреди по щангата и веригата.

3.3 СГЛОБЯВАНЕ НА ВОДЕЩАТА ЩАНГА И ВЕРИГАТА

Фигура 10-14.

1. Снемете акумулаторната батерия от машината.
2. Снемете гайките на капака на веригата с гаечния ключ.
3. Снемете капака на веригата
4. Поставете задвижващите звена на веригата в жлеба на щангата.
5. Поставете резците на веригата в посоката на работа на веригата.
6. Поставете веригата в позиция и се уверете, че се движи зад водещата щанга.
7. Хванете веригата и щангата.
8. Поставете веригата около верижното зъбно колело.
9. Уверете се, че отворът на щифта за обтягане на веригата на водещата щанга съпада правилно с болта.
10. Инсталирайте капака на веригата.
11. Обтегнете веригата. Вижте *Регулиране на обтягането на веригата*.
12. Затегнете гайките, когато веригата е добре обтегната.

i БЕЛЕЖКА

Ако стартирате верижния трион с нова верига, извършете тест за 2-3 минути. След това проверете отново обтягането на веригата и обтегнете веригата, ако е необходимо.

3.4 УПОТРЕБА НА РЕМЪКА ЗА РАМО

Фигура 4.

1. Закрепете карабинката към носещия пръстен на пръта.
2. Поставете ремъка за рамо.
3. Регулирайте дължината на ремъка, така че карабинката да бъде на ширината на ръката под дясното Ви бедро.

3.5 НАСТРОЙКА НА ДЪЛЖИНАТА НА ПРЪТА НА ТРИОНА

Фигура 3.

1. Разхлабете яката, като я завъртите обратно на часовниковата стрелка.

2. Издърпайте удължителния прът нагоре или назад, за да регулирате дължината на пръта на триона.
3. Затегнете яката.

3.6 РЕГУЛИРАНЕ НА БЪГЛА НА ГЛАВАТА НА ТРИОНА

Главата на триона има два бъгла: 0° или 90°, прътвият трион може да реже вертикално или хоризонтално.

Фигура 6.

1. Разхлабете двата винта на главата на прътвия трион с гаечния ключ.
2. Завъртане на главата на прътвия трион на 90°, докато винтовете влязат в отворите за винтове на пръта.
3. Затегнете винтовете.

3.7 ПОДГОТОВКА ЗА РЯЗАНЕ

Фигура 4.

Преди да започнете да режете се уверете, че

- Носите плътни ръкавици за максимален захват и защита.
- Поддържате правилен захват на машината по време на работа.
 - Използвайте дясната си ръка на задната ръкохватка, докато лявата на ръка е върху пръта.
 - Държете тялото си отляво на веригата.
 - Не използвайте никога ляв (с кръстосани ръце) захват или каквото и да било, което поставя тялото или ръката Ви напречно на веригата.
- Никога не стойте точно под клона, който режете.
- Периодично проверявайте затягането на яките по време на работа.

3.8 МОНТИРАНЕ НА АКУМУЛАТОРНАТА БАТЕРИЯ

Фигура 5.

▲ ПРЕДУПРЕЖДЕНИЕ

- Ако акумулаторната батерия или зарядното устройство са повредени, подменете акумулаторната батерия или зарядното устройство.
- Спрете машината и изчакайте, докато двигателят не спре преди монтиране или снемане на акумулаторната батерия.
- Прочетете, запознайте се и спазвайте инструкциите в ръководството и на акумулатора и зарядното устройство.

1. Подравнете ребрата за повдигане на акумулаторната батерия с жлебовете в отделението на акумулатора.
2. Натиснете акумулаторната батерия в отделението на акумулатора, докато акумулаторната батерия не се заключи в мястото.

3. Когато чуете щракване, акумулаторната батерия е монтирана.

3.9 СЧЕТЕТЕ АКУМУЛАТОРНАТА БАТЕРИЯ

Фигура 5.

1. Натиснете и задръжте бутон за освобождаване на акумулатора.
2. Снемете акумулаторната батерия от машината.

4 РАБОТА

i БЕЛЕЖКА

Премахнете акумулаторната батерия и дръжте ръцете си далеч от бутон за отключване, когато местите машината.

i ВАЖНО

Проверявайте обтягането на веригата преди всяка употреба.

4.1 ПРОВЕРЯВАЙТЕ СМАЗВАНЕТО НА ВЕРИГАТА

i БЕЛЕЖКА

Не използвайте машината без достатъчно смазване на веригата.

Фигура 2.

1. Проверявайте нивото на смазочното средство от масления индикатор.
2. Ако е необходимо, добавете още лубрикант.

4.2 СТАРТИРАНЕ НА МАШИНАТА

Фигура 7.

1. Инсталирайте акумулаторната батерия в машината.
2. Натиснете бутон за предпазно заключване.
3. Издърпайте малкия бутон за предпазно заключване нагоре.
4. Натиснете спусъка.

4.3 СПРЕТЕ МАШИНАТА

Фигура 7.

1. Освободете спусъка за да спрете машината.

4.4 КАСТРЕНЕ НА ДЪРВО

Фигура 8.

▲ ПРЕДУПРЕЖДЕНИЕ

Уверете се, че няма нищо или никой в зоната, където падат клоните.

- Застанете от противоположната страна на клона, който ще режете.
- Започнете да режете по-високите клони.
- След това отрежете по-ниските клони.
- Режете надолу, за да предотвратите засядането на щангата.

4.5 КАСТРЕНЕ НА КЛОНИ НА ДЪРВО

Кастренето е отстраняване на клони от паднало дърво.

Фигура 9.

1. Оставете най-големите долни клони да поддържат дървото над земята.
2. Отстранявайте малките клони с едно рязане.
3. Кастрете клоните с налягане отдолу нагоре.
4. Оставете най-големите долни клони за опора, докато дървото се кастри.

5 ПОДДРЪЖКА

▲ ВНИМАНИЕ

Не позволявайте спирални течности, бензин, материали на петролна основа да докосват пластмасовите части. Химикалите могат да предизвикат повреда на пластмасата и да направят пластмасата неизползваема.

▲ ВНИМАНИЕ

Не използвайте силни разтворители или препарати за почистване по пластмасовия корпус или компонентите.

▲ ПРЕДУПРЕЖДЕНИЕ

Снемете акумулаторната батерия от машината преди поддръжка.

5.1 РЕГУЛИРАНЕ НА ОБТЯГАНЕТО НА ВЕРИГАТА

Фигура 10.13.14

▲ ВНИМАНИЕ

Носете защитни ръкавици, ако докосвате веригата, щангата или зоната около веригата.

1. Разхлабете капака на веригата като завъртите фиксиращата гайка за капака на веригата обратно на часовника.

i БЕЛЕЖКА

Не е необходимо да отстранявате капака на веригата за регулиране на веригата.

- Завъртете винта за регулиране на веригата по часовника, за да увеличите обтягането на веригата.
- Завъртете винта за регулиране на веригата обратно на часовника, за да намалите обтягането на веригата.
- Когато веригата е с желаното обтягане, затегнете капака на веригата.

5.2 ЗАТОЧВАНЕ НА РЕЗЦИТЕ

Заточете резците, ако преминаването на веригата през дървото не е лесно.

i БЕЛЕЖКА

Препоръчваме в сервизен център, разполагащ с електрическа машина за заточване, да се извърши важната операция по заточването.

Фигура 15-18.

- Обтягане на веригата.
- Заточете ъгъла на резците с кръгла пила с диаметър 5/32 инча (4 mm).
- Заточете горната пластина, страничната пластина и ограничителят на дълбочината с плоска пила.
- Изпилете всички резци до указаните ъгли и на еднаква дължина.

i БЕЛЕЖКА

По време на процеса

- Поддържайте пилата успоредна на повърхността, която заточвате.
- Използвайте средната част на профила на пилата.
- Използвайте лек, но постоянен натиск, когато заточвате повърхността.
- Повдигайте пилата при всеки обратен ход.
- Заточете резците от едната страна и след това преминете към другата страна.

Заменете веригата, ако:

- Дължината на режещите ръбове е по-малка от 5 mm.
- Има твърде много пространство между задвижващите звена и нитовете.
- Скоростта на рязане е твърде ниска
- Веригата е заточвана многократно, но това не увеличава скоростта на рязане. Веригата е износена.

5.3 ПОДДРЪЖКА НА ВОДЕЩАТА ЩАНГА

Фигура 19-20.

i БЕЛЕЖКА

Осигурете нейното периодично преобръщане, за поддържане симетрично износването на щангата.

- Смазвайте лагерите на носовото верижно зъбно колело (ако има) с текалемит (не е включен).
- Почиствайте жлеба на щангата с изстъргваща кука (не е включена).
- Почиствайте отворите за смазване.
- Отстранявайте мусташите от ръбовете и подравнявайте резците с плоска пила.

Заменете щангата, ако:

- жлебът не съпада с височината на задвижващите звена (които не трябва никога да докосват дъното).
- вътрешността на водещата щанга е износена и причинява провисване на веригата от едната страна.

6 ТРАНСПОРТ И СЪХРАНЕНИЕ

Преди да премествате машината, винаги

- Снемайте акумулаторната батерия от машината.
- Дръжте ръцете си далеч от бутона за отключване.
- Поставяйте ножницата върху водещата щанга и веригата.

Преди да приберете машината за съхранение, винаги

- Отстранете всичкото остатъчно масло от машината.
- Снемайте акумулаторната батерия от машината.
- Почистете всички нежелани материали от машината.
- Уверете се, че мястото за съхранение е
 - Недостъпно за деца
 - Без наличие на препарати причиняващи корозия като градински химикали и сол за обезледяване.

7 ОТСТРАНЯВАНЕ НА НЕИЗПРАВНОСТИ

Проблем	Възможна причина	Решение
Машината не стартира.	Прътите не са правилно сглобени.	Сглобете прътите съгласно инструкциите.
	Отключващият бутон и спусъкът не са натиснати едновременно.	<ol style="list-style-type: none"> 1. Натиснете и задръжте отключващия бутон. 2. Докато държите натиснат отключващия бутон, издърпайте спуска. 3. Освободете отключващия бутон, за да стартирате машината.
Щангата и веригата се нагорещават и пушат.	Масленият резервоар е празен.	Напълнете масления резервоар.
	Изпускателният отвор е блокиран.	<ol style="list-style-type: none"> 1. Отстранете акумулаторната батерия. 2. Отстранете замърсяванията от порта за зареждане.
	Входният отвор на вътрешния маслен резервоар е блокиран.	<ol style="list-style-type: none"> 1. Почистете масления резервоар. 2. Напълнете с чиста смазка за щангата и веригата.
	Верижното зъбно колело е заседнало и покрито с отпадъци.	<ol style="list-style-type: none"> 1. Почистете верижното зъбно колело. 2. Напълнете с чиста смазка за щангата и веригата.

Проблем	Възможна причина	Решение
Щангата и веригата се нагорещават много и не могат да режат.	Веригата е твърде обтегната или твърде разхлабена.	Вижте Регулиране на обтягането на веригата в ръководството.
	Верига е затъпена.	Заочете или заменете веригата.
	Веригата е поставена обратно.	Снемете веригата и я завъртете в правилната посока.
Двигателят работи, но веригата не реже правилно или двигателят спира след около 3 секунди.	Когато използвате машината под натоварване, тя спира.	<ol style="list-style-type: none"> 1. Освободете спуска. 2. Стартирайте машината отново.
	Веригата не е смазана.	Смажете веригата, за да намалите триенето.

8 ТЕХНИЧЕСКИ ДАННИ

Напрежение	82 V DC
Скорост без натоварване	20.5 m/s
Дължина на водещата щанга	250 mm
Обем на верижното масло	150 ml
Тегло (без акумулаторната батерия)	5.35 kg
Измерено ниво на звуково налягане	$L_{pA} = 83 \text{ dB(A)}$, $K_{pA} = 3 \text{ dB(A)}$
Гарантирано ниво на сила на звука	$L_{wA,d} = 99 \text{ dB(A)}$
Вибрации	$< 2.5 \text{ м/сек}^2$, $K = 1,5 \text{ м/сек}^2$
Верига	25AP058X
Водеща щанга	100SDAA041(509877)
Модел на акумулатора	82V180, 82V290P, 82V360, 82V580P и други серии ВАВ
Модел на зарядно устройство	82С6 и други серии САВ
IPX	IPX4

**9 ДЕКЛАРАЦИЯ ЗА
СЪОТВЕТСТВИЕ НА ЕО**

Място, дата: Malmö,
11.11.2021

Подпис: Тед Чу (Ted Qu),
директор по качеството

Име и адрес на производителя:

Име: GLOBGRO AB
Globe Group Europe
Адрес: Riggaregatan 53, 211 13 Malmö,
Швеция

Ted Qu

Име и адрес на упълномощеното лица за съставяне
техническия файл:

Име: Micael Johansson
Адрес: Riggaregatan 53, 211 13 Malmö,
Швеция

С настоящото декларираме, че продуктът

Категория: Прътов трион
Модел: 82PST39(PSB402)
Сериен номер: Виж етикета с номинални
стойности на продукта
Година на
конструиране: Виж етикета с номинални
стойности на продукта

- е в съответствие със съответните разпоредби на Директивата за машините 2006/42/ЕС.
- е в съответствие с разпоредбите на следните други директиви на ЕО:
 - 2014/30/ЕС
 - 2000/14/ЕО и 2005/88/ЕО
 - 2011/65/ЕС и (ЕС)2015/863

Допълнително, ние декларираме, че следните (детайли/
клаузи на) съгласувани европейски стандарти са
използвани:

- EN 60745-1, EN ISO 11680-1, EN 55014-1, EN 55014-2,
EN ISO 3744, ISO 11094, IEC 62321-3-1, IEC 62321-4,
IEC 62321-5, IEC 62321-6, IEC 62321-7-1, IEC
62321-7-2, IEC 62321-8

Измерено ниво на L_{WA} : 95.7 dB(A)
сила на звука:

Гарантирано ниво на $L_{WA,d}$: 99 dB(A)
сила на звука:

Метод за оценка на съответствието на приложение V към
директива 2000/14/ЕС.

ЕО тип - номер на сертификат за проверка: издадено от
SGS Fimko Ltd (0598), Takomotie 8, FI-00380 Helsinki,
Finland.

1 Περιγραφή.....	131	3.7 Προετοιμασία για κοπή.....	132
1.1 Σκοπός.....	131	3.8 Τοποθετήστε την μπαταρία.....	132
1.2 Επισκόπηση.....	131	3.9 Αφαιρέστε την μπαταρία.....	133
2 Γενικές προειδοποιήσεις ασφαλείας για ηλεκτρικά εργαλεία.....	131	4 Λειτουργία.....	133
3 Εγκατάσταση.....	131	4.1 Εξετάζετε τη λίπανση αλυσίδας.....	133
3.1 Αφαιρέστε το μηχανήμα από τη συσκευασία.....	131	4.2 Εκκίνηση του μηχανήματος.....	133
3.2 Προσθήκη του λιπαντικού μπάρας και αλυσίδας.....	131	4.3 Διακοπή λειτουργίας του μηχανήματος.....	133
3.3 Συναρμολόγηση της οδηγτικής μπάρας και αλυσίδας.....	132	4.4 Κλάδεμα δέντρων.....	133
3.4 Χρησιμοποιήστε τον μιάντα ώμου.....	132	4.5 Αποκλάδωση δέντρων.....	133
3.5 Ρύθμιση του μήκους του κονταροαλυσοπρίονου.....	132	5 Συντήρηση.....	133
3.6 Ρυθμίστε τη γωνία της κεφαλής του κονταροαλυσοπρίονου.....	132	5.1 Ρύθμιση της τάνυσης αλυσίδας.....	133
		5.2 Ακόνισμα των κοφτών.....	134
		5.3 Συντήρηση οδηγτικής μπάρας.....	134
		6 Μεταφορά και αποθήκευση.....	134
		7 Αντιμετώπιση προβλημάτων.....	135
		8 Τεχνικά δεδομένα.....	135
		9 Δήλωση συμμόρφωσης ΕΕ.....	136

1 ΠΕΡΙΓΡΑΦΗ

1.1 ΣΚΟΠΟΣ

Το προϊόν με το προσαρτημένο εξάρτημα κοπής προσαρμοσμένο σε κοντάρι προορίζεται για την κοπή κλαδιών ψηλών δέντρων από τον χειριστή, αλλά δεν προορίζεται για την κοπή ξύλων, όπως ένα κανονικό αλυσοπρίονο.

Η συσκευή δεν προορίζεται για χρήση από άτομα (συμπεριλαμβανομένων των παιδιών) με μειωμένη δυνατότητα κατανόησης ή έλλειψη εμπειρίας και γνώσης, εκτός εάν είναι υπό επίβλεψη ή τους έχουν δοθεί οδηγίες σχετικά με τη χρήση της συσκευής από άτομο υπεύθυνο για την ασφάλειά τους.

Τα παιδιά πρέπει να επιβλέπονται για να διασφαλίζεται ότι δεν παίζουν με τη συσκευή.

1.2 ΕΠΙΣΚΟΠΗΣΗ

Εικόνα 1-20.

- | | |
|---------------------------------|---|
| 1 Κουμπί ασφάλισης | 13 Καπάκι δοχείου λαδιού |
| 2 Μικρό κουμπί ασφάλισης | 14 Ένδειξη λαδιού |
| 3 Σκανδάλη | 15 Εγκοπτή οδηγητικής μπάρας |
| 4 Βοηθητική χειρολαβή | 16 Κοπτικό |
| 5 Χειρολαβή κονταροαλυσοπρίονου | 17 Σύνδεσμοι οδηγού αλυσίδας |
| 6 Δακτύλιος μεταφοράς | 18 Αλυστροχός |
| 7 Βιδωτό πόμα | 19 Οπή ακίδας ρύθμισης τάνυσης αλυσίδας |
| 8 Κοντάρι επέκτασης | 20 Παξιμάδι ασφάλισης καλύμματος αλυσίδας |
| 9 Κεφαλή κονταροαλυσοπρίονου | 21 Βίδα τάνυσης αλυσίδας |
| 10 Κάλυμμα αλυσίδας | |
| 11 Οδηγητική μπάρα | |
| 12 Πριονωτή αλυσίδα | |

2 ΓΕΝΙΚΕΣ ΠΡΟΕΙΔΟΠΟΙΗΣΕΙΣ ΑΣΦΑΛΕΙΑΣ ΓΙΑ ΗΛΕΚΤΡΙΚΑ ΕΡΓΑΛΕΙΑ

▲ ΠΡΟΕΙΔΟΠΟΙΗΣΗ

Διαβάστε όλες τις προειδοποιήσεις ασφάλειας, τις οδηγίες, τις απεικονίσεις και τις προδιαγραφές που παρέχονται στο παρόν ηλεκτρικό εργαλείο. Εάν δεν ακολουθήσετε όλες τις οδηγίες που αναφέρονται παρακάτω, υπάρχει κίνδυνος ηλεκτροπληξίας, φωτιάς και/ή σοβαρού τραυματισμού.

Φυλάσσετε όλες τις προειδοποιήσεις και τις οδηγίες για μελλοντική αναφορά.

Ο όρος ηλεκτρικό εργαλείο στις προειδοποιήσεις αναφέρεται στο ηλεκτρικό σας εργαλείο που λειτουργεί είτε με σύνδεση

στην πρίζα (με καλώδιο) είτε με ΜΠΑΤΑΡΙΕΣ (χωρίς καλώδιο).

3 ΕΓΚΑΤΑΣΤΑΣΗ

3.1 ΑΦΑΙΡΕΣΤΕ ΤΟ ΜΗΧΑΝΗΜΑ ΑΠΟ ΤΗ ΣΥΣΚΕΥΑΣΙΑ

▲ ΠΡΟΕΙΔΟΠΟΙΗΣΗ

Βεβαιωθείτε ότι έχετε συναρμολογήσει σωστά το μηχανήμα πριν από τη χρήση.

▲ ΠΡΟΕΙΔΟΠΟΙΗΣΗ

- Εάν τα μέρη έχουν φθορές, μη χρησιμοποιήσετε το μηχανήμα.
- Εάν δεν έχετε όλα τα μέρη, μη θέσετε σε λειτουργία το μηχανήμα.
- Εάν τα μέρη έχουν φθορές ή λείπουν, μιλήστε με το κέντρο εξυπηρέτησης.

1. Ανοίξτε τη συσκευασία.
2. Διαβάστε τα έγγραφα της κούτας.
3. Αφαιρέστε όλα τα μη συναρμολογημένα μέρη από την κούτα.
4. Αφαιρέστε το μηχανήμα από την κούτα.
5. Η απόρριψη της κούτας και της συσκευασίας πρέπει να γίνεται σε συμμόρφωση με τους τοπικούς κανονισμούς.

3.2 ΠΡΟΣΘΗΚΗ ΤΟΥ ΛΙΠΑΝΤΙΚΟΥ ΜΠΑΡΑΣ ΚΑΙ ΑΛΥΣΙΔΑΣ

Εξετάστε την ποσότητα λαδιού στη μηχανή. Εάν η στάθμη λαδιού είναι χαμηλή, προσθέστε λιπαντικό στην μπάρα και την αλυσίδα ως εξής.

i ΣΗΜΑΝΤΙΚΟ

Χρησιμοποιείτε μόνο λιπαντικό μπάρας και αλυσίδας που προορίζεται μόνο για αλυσίδες και λιπαντήρες αλυσίδων.

i ΣΗΜΕΙΩΣΗ

Το μηχανήμα παραδίδεται από το εργοστάσιο, χωρίς λιπαντικό μπάρας και αλυσίδα.

1. Λασκάρετε και αφαιρέστε το καπάκι του νεπόζιτου λαδιού.
2. Τοποθετήστε το λάδι μέσα στο δοχείο λαδιού.
3. Παρακολουθείτε την ένδειξη λαδιού ώστε να εξασφαλίζετε ότι δεν φτάνουν ρύποι στο δοχείο λαδιού ενώ προσθέτετε λάδι.
4. Τοποθετήστε το πόμα δοχείου λαδιού.
5. Σφίξτε το πόμα δοχείου λαδιού.
6. Ένα εντελώς γεμάτο δοχείο λαδιού διαρκεί για 15 - 40 λεπτά λειτουργίας.

ΣΗΜΑΝΤΙΚΟ

Μην χρησιμοποιείτε ακάθαρτα, χρησιμοποιημένα ή μολυσμένα λάδια. Αυτά μπορούν να προκαλέσουν ζημιά στη λεπίδα ή την αλυσίδα.

3.3 ΣΥΝΑΡΜΟΛΟΓΗΣΗ ΤΗΣ ΟΔΗΓΗΤΙΚΗΣ ΜΠΑΡΑΣ ΚΑΙ ΑΛΥΣΙΔΑΣ

Εικόνα 10-14.

1. Αφαιρέστε την μπαταρία από το μηχάνημα.
2. Αφαιρέστε τα παξιμάδια με το κλειδί.
3. Απομακρύνετε το κάλυμμα αλυσίδας.
4. Τοποθετήστε αριστερά τον οδηγό αλυσίδας μέσα στην εγκοπή μπάρας.
5. Τοποθετήστε τους κόφτες αλυσίδας στην κατεύθυνση λειτουργίας της αλυσίδας.
6. Τοποθετήστε την αλυσίδα στη θέση της και εξασφαλίστε ότι η θηλιά βρίσκεται πίσω από την οδηγητική μπάρα.
7. Κρατήστε την αλυσίδα και τη μπάρα.
8. Τοποθετήστε τη θηλιά αλυσίδας γύρω από τον οδοντωτό τροχό.
9. Εξασφαλίστε ότι η οπή πείρου τάνυσης αλυσίδας στην οδηγητική μπάρα ταιριάζει σωστά με το μπουλόνι.
10. Εγκαταστήστε το κάλυμμα αλυσίδας.
11. Σφίξτε την αλυσίδα. Ανατρέξτε στο *Ρυθμίστε την τάνυση αλυσίδας*.
12. Σφίξτε τα παξιμάδια όταν η αλυσίδα είναι σωστά σφιγμένη.

ΣΗΜΕΙΩΣΗ

Εάν θέσετε σε λειτουργία το αλυσοπρίονο με νέα αλυσίδα, κάντε μια δοκιμή για 2-3 λεπτά. Κατόπιν εξετάστε εκ νέου την τάνυση και σφίξτε την αλυσίδα εφόσον απαιτείται.

3.4 ΧΡΗΣΙΜΟΠΟΙΗΣΤΕ ΤΟΝ ΙΜΑΝΤΑ ΩΜΟΥ

Εικόνα 4.

1. Προσαρτήστε το καραμπίнер στον δακτύλιο μεταφοράς στο κοντάρι.
2. Φορέστε τον ιμάντα ώμου.
3. Προσαρμόστε το μήκος του ιμάντα έτσι ώστε το καραμπίнер να είναι περίπου σε απόσταση μίας παλάμης κάτω από τον δεξιό γοφό σας.

3.5 ΡΥΘΜΙΣΗ ΤΟΥ ΜΗΚΟΥΣ ΤΟΥ ΚΟΝΤΑΡΟΑΛΥΣΟΠΡΙΟΝΟΥ

Εικόνα 3.

1. Χαλαρώστε το κολάρο περιστρέφοντας το αριστερότροφα.

2. Τραβήξτε το κοντάρι επέκτασης προς τα πάνω ή προς τα πίσω για να ρυθμίσετε το μήκος του κονταροαλυσοπρίονου.
3. Σφίξτε το κολάρο.

3.6 ΡΥΘΜΙΣΤΕ ΤΗ ΓΩΝΙΑ ΤΗΣ ΚΕΦΑΛΗΣ ΤΟΥ ΚΟΝΤΑΡΟΑΛΥΣΟΠΡΙΟΝΟΥ

Η κεφαλή του κονταροαλυσοπρίονου έχει δύο γωνίες : 0° ή 90°, το κονταροαλυσοπρίονο μπορεί να κοπεί κάθετα ή οριζόντια.

Εικόνα 6.

1. Χαλαρώστε τις δύο βίδες στην κεφαλή του κονταροαλυσοπρίονου με το κλειδί.
2. Περιστρέψτε την κεφαλή του κονταροαλυσοπρίονου κατά 90° μέχρι οι βίδες να χωρέσουν στις οπές των βιδών του κονταριού.
3. Σφίξτε τις βίδες.

3.7 ΠΡΟΕΤΟΙΜΑΣΙΑ ΓΙΑ ΚΟΠΗ

Εικόνα 4.

Πριν αρχίσετε να κόβετε, σιγουρευτείτε ότι

- Φοράτε χοντρά γάντια εργασίας για μέγιστο κράτημα και προστασία.
- Κρατάτε σωστά το μηχάνημα κατά τη διάρκεια της λειτουργίας.
 - Χρησιμοποιείτε το δεξί σας χέρι για να κρατάτε γερά την πίσω χειρολαβή, ενώ κρατάτε γερά τον άξονα του κονταριού με το αριστερό σας χέρι.
 - Το σώμα σας παραμένει στα αριστερά της αλυσίδας.
 - Μη χρησιμοποιήσετε ποτέ αριστερόχειρο κράτημα (διασαύρωση χεριών) ή στάση που να τοποθετεί το σώμα σας ή το βραχιόνι σας εγκάρσια της γραμμής κοπής.
- Μην στέκεστε ποτέ ακριβώς κάτω από το κλωνάρι που κόβετε.
- Να εξετάζετε περιοδικά ότι τα κολάρα είναι σφικτά κατά τη διάρκεια της λειτουργίας.

3.8 ΤΟΠΟΘΕΤΗΣΤΕ ΤΗΝ ΜΠΑΤΑΡΙΑ

Εικόνα 5.

ΠΡΟΕΙΔΟΠΟΙΗΣΗ

- Εάν η μπαταρία ή ο φορτιστής έχουν φορδές, αντικαταστήστε την μπαταρία ή τον φορτιστή.
- Διακόψτε τη λειτουργία του μηχανήματος και περιμένετε να σταματήσει το μοτέρ για να εγκαταστήσετε ή να αφαιρέσετε την μπαταρία.
- Διαβάστε, μάθετε και ακολουθήστε τις οδηγίες στο εγχειρίδιο της μπαταρίας και του φορτιστή.

1. Ευθυγραμμίστε τις γραμμές στο αριστερό μέρος της μπαταρίας με τις εγκοπές στο διαμέρισμα της μπαταρίας.
2. Σπρώξτε την μπαταρία μέσα στο διαμέρισμα μπαταρίας μέχρι να ασφαλίσει στη θέση της.
3. Όταν ακούσετε το κλικ, θα σημαίνει ότι η μπαταρία έχει τοποθετηθεί.

3.9 ΑΦΑΙΡΕΣΤΕ ΤΗΝ ΜΠΑΤΑΡΙΑ.

Εικόνα 5.

1. Πατήστε και κρατήστε πατημένο το κουμπί απελευθέρωσης μπαταρίας.
2. Αφαιρέστε τη μπαταρία από το μηχανήμα.

4 ΛΕΙΤΟΥΡΓΙΑ

i ΣΗΜΕΙΩΣΗ

Απομακρύνετε τη συστοιχία μπαταριών και κρατήστε τα χέρια μακριά από το κουμπί ασφάλισης όταν μετακινείτε το μηχανήμα.

i ΣΗΜΑΝΤΙΚΟ

Εξετάζετε την τάνυση αλυσίδας πριν από κάθε χρήση.

4.1 ΕΞΕΤΑΖΕΤΕ ΤΗ ΛΙΠΑΝΣΗ ΑΛΥΣΙΔΑΣ

i ΣΗΜΕΙΩΣΗ

Μην χρησιμοποιείτε το μηχανήμα χωρίς επαρκή λίπανση αλυσίδας.

Εικόνα 2.

1. Εξετάζετε τη στάθμη λιπαντικού από την ένδειξη λαδιού.
2. Εάν απαιτείται προσθέστε περισσότερο λιπαντικό.

4.2 ΕΚΚΙΝΗΣΗ ΤΟΥ ΜΗΧΑΝΗΜΑΤΟΣ

Εικόνα 7.

1. Τοποθετήστε τη συστοιχία μπαταριών στο μηχανήμα.
2. Πιέστε το κουμπί κλειδώματος ασφαλείας.
3. Τραβήξτε προς τα επάνω το μικρό κουμπί κλειδώματος ασφαλείας.
4. Πιέστε τη σκανδάλη.

4.3 ΔΙΑΚΟΠΗ ΛΕΙΤΟΥΡΓΙΑΣ ΤΟΥ ΜΗΧΑΝΗΜΑΤΟΣ

Εικόνα 7.

1. Απελευθερώστε τη σκανδάλη για να απενεργοποιήσετε το μηχανήμα.

4.4 ΚΛΑΔΕΜΑ ΔΕΝΤΡΩΝ

Εικόνα 8.

▲ ΠΡΟΕΙΔΟΠΟΙΗΣΗ

Βεβαιωθείτε ότι δεν υπάρχουν αντικείμενα ή άνθρωποι στην περιοχή όπου θα πέσουν τα κλαδιά.

- Σταθείτε πίσω από το κλαδί που πρόκειται να κόψετε.
- Αρχίστε να κόβετε τα πιο ψηλά κλαδιά.
- Στη συνέχεια, κόψτε τα πιο χαμηλά κλαδιά.
- Κόψτε προς τα κάτω για να αποφύγετε το μπλοκάρισμα της μπάρας.

4.5 ΑΠΟΚΛΑΔΩΣΗ ΔΕΝΤΡΩΝ

Η αποκλάδωση απομακρύνει τα κλαδιά από ένα πεσμένο δέντρο.

Εικόνα 9.

1. Διατηρείτε τα μεγαλύτερα κλαδιά χαμηλά για να υποστηρίζουν τον κορμό μακριά από το έδαφος.
2. Απομακρύνετε τα μικρά κλαδιά με μια κοπή.
3. Κόψτε τα κλαδιά με τάση από κάτω προς τα επάνω.
4. Διατηρείτε τα μεγαλύτερα κάτω κλαδιά για υποστήριξη μέχρι να κοπεί ο κορμός.

5 ΣΥΝΤΗΡΗΣΗ

▲ ΠΡΟΣΕΞΤΕ

Μην επιτρέπετε σε υγρά φρένων, βενζίνη και υλικά με βάση το πετρέλαιο να αγγίζουν τα πλαστικά μέρη. Τα χημικά μπορεί να προκαλέσουν τέτοια ζημιά στο πλαστικό και να μην είναι δυνατή η επισκευή του.

▲ ΠΡΟΣΕΞΤΕ

Μη χρησιμοποιείτε ισχυρούς διαλύτες ή καθαριστικά στο πλαστικό περίβλημα ή τα πλαστικά μέρη.

▲ ΠΡΟΕΙΔΟΠΟΙΗΣΗ

Αφαιρέστε τη μπαταρία από το μηχανήμα πριν από τη συντήρηση.

5.1 ΡΥΘΜΙΣΗ ΤΗΣ ΤΑΝΥΣΗΣ ΑΛΥΣΙΔΑΣ

Εικόνα 10.13.14

▲ ΠΡΟΣΕΞΤΕ

Φοράτε προστατευτικά γάντια εάν αγγίζετε την αλυσίδα, τον αλυσοτροχό ή τις περιοχές γύρω από την αλυσίδα.

1. Λασκάρετε το κάλυμμα αλυσίδας περιστρέφοντας αριστερόστροφα το παξιμάδι ασφάλισης καλύμματος αλυσίδας.

i ΣΗΜΕΙΩΣΗ

Δεν χρειάζεται να απομακρύνετε το κάλυμμα αλυσίδας για να ρυθμίσετε την τάνυση αλυσίδας.

2. Περιστρέψτε δεξιόστροφα τη βίδα προσαρμογής αλυσίδας για να αυξήσετε την τάνυση αλυσίδας.
3. Περιστρέψτε αριστερόστροφα τη βίδα προσαρμογής αλυσίδας για να μειώσετε την τάνυση αλυσίδας.
4. Μόλις επιτευχθεί η επιθυμητή τάνυση της αλυσίδας, συσφίξτε το κάλυμμα αλυσίδας.

5.2 ΑΚΟΝΙΣΜΑ ΤΩΝ ΚΟΦΤΩΝ

Ακονίστε τους κόφτες εάν η αλυσίδα δεν εισέρχεται εύκολα μέσα στο ξύλο.

i ΣΗΜΕΙΩΣΗ

Συνιστούμε τα σημαντικά ακονίσματα να πραγματοποιούνται από κάποιο κέντρο σέρβις που να έχει ηλεκτρικό ακονιστήρι.

Εικόνα 15-18..

1. Τάνυση αλυσίδας.
2. Ακονίστε τη γωνία των κοφτών με μια στρογγυλή λίμα διαμέτρου 4 χιλ. (5/32 in.).
3. Ακονίστε την άνω πλάκα, την πλάγια πλάκα και τον μετρητή βάθους με μια επίπεδη λίμα.
4. Ακονίστε όλους τους κόφτες στις καθορισμένες γωνίες και στο ίδιο μήκος.

i ΣΗΜΕΙΩΣΗ

Κατά τη διάρκεια της διαδικασίας,

- Διατηρείτε τη λίμα επίπεδη με την επιφάνεια που θα ακονιστεί.
- Χρησιμοποιείτε τη μέση της μπάρας λίμας.
- Ασκείτε ελαφριά αλλά σταθερή πίεση κατά το ακόνισμα της επιφάνειας.
- Σε κάθε διαδρομή επιστροφής σηκώνετε μακριά τη λίμα.
- Ακονίζετε τους κόφτες στη μια πλευρά και κατόπιν μετακινείτε την άλλη πλευρά.

Αντικαταστήστε την αλυσίδα εάν:

- το μήκος των ακμών κοπής είναι μικρότερο από 5 χιλ.
- υπάρχει πολύς χώρος ανάμεσα στους συνδέσμους οδηγού και στα πριτσίνια.
- η ταχύτητα κοπής είναι αργή
- ακονίζετε την αλυσίδα πολλές φορές αλλά έτσι δεν αυξάνεται η ταχύτητα κοπής. η αλυσίδα είναι φθαρμένη.

5.3 ΣΥΝΤΗΡΗΣΗ ΟΔΗΓΗΤΙΚΗΣ ΜΠΑΡΑΣ

Εικόνα 19-20.

i ΣΗΜΕΙΩΣΗ

Εξασφαλίστε ότι θα την γυρίζετε ανάποδα τακτικά ώστε να υπάρχει συμμετρική φθορά στην μπάρα.

1. Λιπαίνετε τα ρουλεμάν οδοντωτού τροχού με μύτες (εφόσον υπάρχει) με τη σύριγγα (δεν περιλαμβάνεται).
2. Καθαρίζετε την εγκοπή οδηγητικής μπάρας με το άγκιστρο απόξεσης (δεν περιλαμβάνεται).
3. Καθαρίζετε τις οπές λίπανσης.
4. Απομακρύνετε προεχόντες από τις ακμές και ισιώνετε τους κόφτες με μια επίπεδη λίμα.

Αντικαταστήστε την μπάρα εάν:

- η εγκοπή δεν ταιριάζει στο ύψος των συνδέσμων οδηγού (που δεν πρέπει ποτέ να αγγίζει το κάτω μέρος).
- το εσωτερικό της οδηγητικής μπάρας έχει φθαρεί και κάνει την αλυσίδα να γέρνει στη μια πλευρά.

6 ΜΕΤΑΦΟΡΑ ΚΑΙ ΑΠΟΘΗΚΕΥΣΗ

Προτού μετακινήσετε το μηχανήμα, πάντα

- αφαιρείτε τη συστοιχία μπαταρίας από το μηχανήμα.
- διατηρείτε τα χέρια μακριά από το κουμπί ασφάλισης.
- τοποθετείτε τη θήκη επάνω στην οδηγητική μπάρα και την αλυσίδα.

Προτού αποθηκεύσετε το μηχανήμα, πάντα

- Καθαρίστε όλα τα υπολείμματα λαδιού από το μηχανήμα.
- αφαιρείτε τη συστοιχία μπαταρίας από το μηχανήμα.
- Καθαρίζετε τα περιττά υλικά από το μηχανήμα.
- Εξασφαλίστε ότι ο χώρος αποθήκευσης δεν
 - είναι προσβάσιμος σε παιδιά.
 - βρίσκεται κοντά σε προϊόν που προκαλούν διάβρωση όπως είναι οι χημικές ουσίες κήπων και τα αποπαγοτικά άλατα.

7 ΑΝΤΙΜΕΤΩΠΙΣΗ ΠΡΟΒΛΗΜΑΤΩΝ

Πρόβλημα	Πιθανή αιτία	Αντιμετώπιση
Το μηχάνημα δεν ξεκινάει.	Τα κοντάρια δεν έχουν συναρμολογηθεί σωστά.	Συναρμολογήστε τα κοντάρια σύμφωνα με τις οδηγίες.
	Το κουμπί ασφάλισης και η σκανδάλη δεν πατιούνται την ίδια στιγμή.	<ol style="list-style-type: none"> 1. Πατήστε και κρατήστε πατημένο το κουμπί ασφάλισης 2. Ενώ κρατάτε πατημένο το κουμπί ασφάλισης, τραβήξτε τη σκανδάλη. 3. Αφήστε το κουμπί ασφάλισης για να εκκινήσετε το μηχάνημα.
Η μπάρα και η αλυσίδα ζεσταίνονται και βγάζουν καπνό.	Το δοχείο λαδιού είναι άδειο.	Γεμίστε το δοχείο λαδιού.
	Η θύρα αποβολής είναι μπλοκαρισμένη.	<ol style="list-style-type: none"> 1. Απομακρύνετε το πακέτο μπαταρίας. 2. Απομακρύνετε ακαθαρσίες από το άνοιγμα αποβολής.
	Το άνοιγμα εισαγωγής του εσωτερικού δοχείου λαδιού είναι μπλοκαρισμένο.	<ol style="list-style-type: none"> 1. Καθαρίστε το δοχείο λαδιού. 2. Γεμίστε με καθαρό λιπαντικό για την μπάρα και την αλυσίδα.
	Ο οδοντωτός τροχός μηχανισμού κίνησης έχει κολλήσει και έχει μπλοκάρει από υπολείμματα.	<ol style="list-style-type: none"> 1. Καθαρίστε τον οδοντωτό τροχό του μηχανισμού κίνησης. 2. Γεμίστε με καθαρό λιπαντικό για την μπάρα και την αλυσίδα.

Πρόβλημα	Πιθανή αιτία	Αντιμετώπιση
Η μπάρα και η αλυσίδα ζεσταίνονται υπερβολικά και δεν κόβουν.	Η τάνυσης της αλυσίδας είναι υπερβολικά σφιχτή ή υπερβολικά χαλαρή.	Ανατρέξτε στην ενότητα ρύθμισης της τάνυσης αλυσίδας στο εγχειρίδιο χρήσης.
	Η αλυσίδα είναι στομομένη	Ακονίστε ή αντικαταστήστε την αλυσίδα.
	Η αλυσίδα έχει τοποθετηθεί ανάποδα.	Βγάλτε έξω την αλυσίδα και γυρίστε την στη σωστή κατεύθυνση.
Το μοτέρ λειτουργεί αλλά η αλυσίδα δεν κόβει σωστά ή το μοτέρ σταματάει μετά από περίπου 3 δευτερόλεπτα.	Όταν το μηχάνημα χρησιμοποιείται με φορτίο, σταματάει.	<ol style="list-style-type: none"> 1. Απελευθερώστε τη σκανδάλη. 2. Εκκινήστε ξανά το μηχάνημα.
	Η αλυσίδα δεν έχει λιπανθεί.	Λιπάνετε την αλυσίδα για να μειώσετε την τριβή.

8 ΤΕΧΝΙΚΑ ΔΕΔΟΜΕΝΑ

Τάση	82 V DC
Ταχύτητα χωρίς φορτίο	20.5 m/s
Μήκος μπάρας	250 mm
Χωρητικότητα λαδιού αλυσίδας	150 ml
Βάρος (χωρίς την μπαταρία)	5.35 kg
Μέτρηση στάθμης ακουστικής πίεσης	$L_{pA} = 83 \text{ dB(A)}$, $K_{pA} = 3 \text{ dB(A)}$
Εγγυημένη στάθμη ακουστικής ισχύος	$L_{wA,d} = 99 \text{ dB(A)}$
Δόνηση	$< 2.5 \text{ m/s}^2$, $K = 1.5 \text{ m/s}^2$
Αλυσίδα	25AP058X
Οδηγητική μπάρα	100SDAA041(509877)
Μοντέλο μπαταρίας	82V180, 82V290P, 82V360, 82V580P και άλλες σειρές BAB
Μοντέλο φορτιστή	82C6 και άλλες σειρές CAB
IPX	IPX4

9 ΔΗΛΩΣΗ ΣΥΜΜΟΡΦΩΣΗΣ ΕΕ

Ted Qu

Όνομα και διεύθυνση κατασκευαστή:

Όνομα: GLOBGRO AB
 Globe Group Europe
 Διεύθυνση: Riggaregatan 53, 211 13 Malmö, Σουηδία

Όνομα και διεύθυνση του εξουσιοδοτημένου ατόμου σύνταξης του τεχνικού αρχείου:

Όνομα: Micael Johansson
 Διεύθυνση: Riggaregatan 53, 211 13 Malmö, Σουηδία

Στο παρόν δηλώνουμε ότι το προϊόν

Κατηγορία: Κονταροαλυσοπρίοιο
 Μοντέλο: 82PST39(PSB402)
 Αριθμός σειράς: Ανατρέξτε στην ετικέτα του προϊόντος
 Έτος κατασκευής: Ανατρέξτε στην ετικέτα του προϊόντος

- Συμμορφώνεται με τις σχετικές διατάξεις της Οδηγίας 2006/42/EK σχετικά με τα μηχανήματα.
- Συμμορφώνεται με τις διατάξεις των υπόλοιπων παρακάτω ευρωπαϊκών οδηγιών:
 - 2014/30/EE
 - 2000/14/EK & 2005/88/EK
 - 2011/65/EE & (EU)2015/863

Επιπλέον, δηλώνουμε ότι έχουν χρησιμοποιηθεί τα παρακάτω (μέρη/ρήτρες τους) εναρμονισμένα ευρωπαϊκά πρότυπα:

- EN 60745-1, EN ISO 11680-1, EN 55014-1, EN 55014-2, EN ISO 3744, ISO 11094, IEC 62321-3-1, IEC 62321-4, IEC 62321-5, IEC 62321-6, IEC 62321-7-1, IEC 62321-7-2, IEC 62321-8

Μετρημένη στάθμη ηχητικής ισχύος: L_{WA} : 95.7 dB(A)Εγγυημένη στάθμη ακουστικής ισχύος: $L_{WA,d}$: 99 dB(A)

Μέθοδος αξιολόγησης συμμόρφωσης σύμφωνα με το Παράρτημα V της Οδηγίας 2000/14/EK.

Ο αριθμός πιστοποίησης εξέτασης τύπου EK: Έκδοση από SGS Fimko Ltd (0598), Takomotie 8, FI-00380 Helsinki, Finland.

Μέρος, ημερομηνία: Υπογραφή: Ted Qu, Διευθυντής
Malmö, 11.11.2021 Ποιότητα

139.....	التشغيل	4	138	الوصف	1
139	افحص تزييت السلسلة.	4.1	138.....	الغرض	1.1
139	بدء تشغيل الآلة	4.2	138.....	نظرة عامة	1.2
139	إيقاف الآلة	4.3		تحذيرات السلامة العامة المتعلقة بالأداة	2
139	قطع الأغصان المتدلية من الشجرة	4.4	138.....	العاملة بالطاقة	
139	قطع الأغصان المتدلية من الشجرة	4.5	138	التنصيب	3
140	الصيانة	5	138.....	فك تغليف الآلة	3.1
140.....	ضبط شد السلسلة	5.1	138	أضف مادة تزييت القضيب والسلسلة	3.2
140.....	شحن القواطع	5.2	138.....	جمع قضيب التوجيه والسلسلة	3.3
140.....	صيانة قضيب التوجيه	5.3	139.....	استخدام شريط الكتف	3.4
140	النقل والتخزين	6	139.....	اضبط طول المنشار العمودي	3.5
141	استكشاف الأعطال وإصلاحها	7	139.....	اضبط زاوية رأس المنشار العمودي	3.6
141.....	البيانات الفنية	8	139	التحضير للقطع	3.7
141.....	قرار التوافق مع معايير الاتحاد الأوروبي	9	139.....	تركيب مجموعة البطارية	3.8
			139	خلع مجموعة البطارية	3.9

1 الوصف

1.1 الغرض

المنتج مزود بأداة تشذيب مركبة على عمود لتمكين المستخدم من تشذيب أفرع الشجرات الواقعة، ولكن يُرجى الانتباه أنه غير مُعدّ لقطع الأخشاب مثل المنشأ العادي.

هذا الجهاز غير مخصص للاستخدام من قبل الأشخاص (بما في ذلك الأطفال) من ذوي الفهم المحدود أو من ليست لديهم خبرة أو معرفة، إلا في حال قيام شخص مسؤول بتقديم الإشراف أو التعليمات المتعلقة باستخدامه لهم من أجل سلامتهم.

تجب مراقبة الأطفال جيداً، وذلك لمنعهم من اللعب بالجهاز.

1.2 نظرة عامة

الشكل 1-1-20.

1	زر قفل	12	سلسلة المنشأ
2	زر القفل الصغير	13	غطاء خزان الزيت
3	الزناد	14	مؤشر الزيت
4	مقبض إضافي	15	تجويف القضيب
5	مقبض المنشأ العمودي	16	قاطع
6	حلقة الحمل	17	وصلات نقل حركة السلسلة
7	غطاء المسمار	18	الترس المسنن
8	عمود التمديد	19	فتحة مسمار شد السلسلة
9	رأس المنشأ العمودي	20	صامولة قفل غطاء السلسلة
10	غطاء السلسلة	21	مسمار شد السلسلة
11	قضيب التوجيه		

2 تحذيرات السلامة العامة المتعلقة بالأداة العاملة بالطاقة

⚠ تحذير

اقرأ جميع تحذيرات السلامة والتعليمات والرسوم التوضيحية والموصفات المرفقة مع هذه الآلة عدم اتباع جميع التعليمات الواردة أثناءه قد يؤدي إلى حدوث صدمة كهربائية أو تشوب حريق أو التعرض للإصابة، أحدها أو جميعها.

احتفظ بجميع التحذيرات والتعليمات للرجوع إليها في المستقبل.

يشير مصطلح "آلة عاملة بالطاقة" في التحذيرات إلى الآلة العاملة بالطاقة (الموصولة بسلك تيار) أو الآلة العاملة بالبطارية (غير الموصولة بسلك تيار).

3 التنصيب

3.1 فكّ تغليف الآلة

⚠ تحذير

احرص على تجميع الآلة بشكل صحيح قبل الاستخدام.

⚠ تحذير

- إذا كانت الأجزاء تالفة، لا تستخدم الآلة.
- إن لم تكن لديك جميع الأجزاء، لا تقم بتشغيل الآلة.
- إذا كانت الأجزاء تالفة أو غير موجودة، تواصل مع مركز الصيانة.

1. افتح عبوة التغليف.

2. اقرأ المستندات الموجودة في الصندوق.
3. أخرج جميع الأجزاء غير المركبة من الصندوق.
4. أخرج الآلة من الصندوق.
5. تخلص من الصندوق ومكونات التغليف وفقاً للقوانين المحلية.

3.2 أصف مادة تزييت القضيب والسلسلة.

افحص كمية الزيت الموجودة في الآلة. إذا كان مستوى الزيت منخفضاً، أضف مادة تزييت القضيب والسلسلة على النحو التالي.

i هام

استخدم مادة تزييت القضيب والسلسلة الخاصة بتزييت تلك السلاسل والمناسبة لمزيتة السلسلة.

i ملاحظة

تخرج الآلة من المصنع بدون وجود مادة تزييت القضيب والسلسلة.

1. فكّ الغطاء واخضعه عن خزان الزيت.
2. ضع الزيت في خزان الزيت.
3. راقب مؤشر الزيت للتأكد من عدم وجود أوساخ في خزان الزيت أثناء إضافة الزيت.
4. ضع غطاء الزيت.
5. اربط غطاء الزيت بإحكام.
6. يمكن تشغيل الآلة بخزان الزيت الممتلئ بالكامل لمدة 15 - 40 دقيقة.

i هام

لا تستخدم زيتاً متسخاً أو مستعملاً أو ملوثاً. فهذا قد يتسبب في تعرض القضيب أو السلسلة للتلف.

3.3 جمع قضيب التوجيه والسلسلة

الشكل التوضيحي 10-14.

1. اخلع مجموعة البطارية من الآلة.
2. اخلع صواميل غطاء السلسلة باستخدام مفتاح الربط.
3. اخلع غطاء السلسلة.
4. ضع وصلات نقل حركة السلسلة في تجويف القضيب.
5. ضع قواطع السلسلة في اتجاه تشغيل السلسلة.
6. ضع السلسلة في موضع المناسب وتأكد من وجود العروة خلف قضيب التوجيه.
7. أمسك السلسلة والقضيب.
8. ضع عروة السلسلة حول الترس.
9. احرص على تواء فتحة إبرة شد السلسلة الموجودة بقضيب التوجيه مع المسمار.
10. ركب غطاء السلسلة.
11. اربط السلسلة. راجع ضبط شد السلسلة.
12. اربط الصواميل عند شد السلسلة كما ينبغي.

i ملاحظة

إذا كنت ستستخدم المنشأ بسلسلة جديدة، فعليك اختياره لمدة 2-3 دقائق. وبعد ذلك، افحص السلسلة مرة أخرى واربط السلسلة عند اللزوم.

3. عندما تسمع صوت نفرة، فهذا معناه أنه قد تم تركيب مجموعة البطارية في مكانها الصحيح.

3.9 خلع مجموعة البطارية

الشكل التوضيحي 5.

1. اضغط على زر تحرير البطارية مع التثبيت.
2. خلع مجموعة البطارية من الآلة.

4 التشغيل

i ملاحظة

اخلع مجموعة البطارية واجعل يديك بعيدًا عن زر القفل عند تحريك الآلة.

i هام

افحص شد السلسلة قبل كل استخدام.

4.1 افحص تزييت السلسلة

i ملاحظة

لا تستخدم الآلة بدون تزييت كافٍ للسلسلة.

الشكل التوضيحي 2.

1. افحص مستوى التزييت من خلال مؤشر الزيت.
2. أضف المزيد من مادة التزييت عند اللزوم.

4.2 بدء تشغيل الآلة

الشكل 7.

1. قم بتركيب مجموعة البطارية في الآلة.
2. اضغط على زر قفل الأمان.
3. اسحب زر قفل الأمان الصغير لأعلى.
4. اضغط على الزناد.

4.3 إيقاف الآلة

الشكل التوضيحي 7.

1. اترك الزناد لإيقاف الآلة.

4.4 قطع الأغصان المتدلية من الشجرة

الشكل 8.

⚠ تحذير

تأكد من عدم وجود أي شيء أو أي أحد في المنطقة التي ستقع عليها الأغصان.

- قف عكس اتجاه العصن الذي ستقطعه.
- ابدأ بقطع الأغصان الأعلى.
- ثم أقطع الأغصان الأدنى.
- اقطع لأسفل بحيث يتسنى منع النزاع من الانحشار.

4.5 قطع الأغصان المتدلية من الشجرة

تقطع الأفرع عبارة عن إزالة الأفرع الموجودة بشجرة ساقطة.

3.4 استخدام شريط الكتف

الشكل 4.

1. ركب الطوق المعدني على حلقة الحمل الموجودة بالعمود.
2. ارتد شريط الكتف.
3. اضبط طول الشريط بحيث يكون الطوق المعدني أسفل وركب الأيمن بطول يساوي عرض راحة اليد.

3.5 اضبط طول المنشار العمودي

الشكل 3.

1. فك الطوق بإدارته عكس اتجاه عقارب الساعة.
2. اسحب عمود الإطالة للخارج أو للداخل لضبط طول المنشار العمودي.
3. اربط الطوق.

3.6 اضبط زاوية رأس المنشار العمودي

رأس المنشار العمودي له زاويتين: 0 أو 90 درجة، حيث يمكن للمنشار العمودي أن يقطع عموديًا أو أفقيًا.

الشكل 6.

1. فك المسامير الموجودة برأس المنشار العمودي باستخدام مفتاح.
2. أدر رأس المنشار العمودي بزاوية 90 درجة إلى أن تتواء المسامير في الفتحات الموجودة بالعمود.
3. اربط المسامير.

3.7 التحضير للقطع

الشكل 4.

- قبل البدء في عملية القطع، احرص على
- ارتداء قفازات عدم الانزلاق لتحقيق أقصى قدر من الإمساك والحماية.
 - الإمساك جيدًا بالآلة أثناء التشغيل.
 - إحكام القبض باليد اليمنى على المقبض الخلفي مع إمساك يدك اليسرى بالعمود الطولي.
 - إبقاء الجسم على الجانب الأيسر لخط السلسلة.
 - تجنب الإمساك بالمنشار بقبضة اليد اليسرى (مع تقابل اليدين)، أو اتخاذ أي وضع جسماني يجعل جسمك أو ذراعك مقابل لخط السلسلة.
 - تجنب الوقوف بشكل مباشر تحت العصن الذي تقوم بقطعه.
 - افحص بانتظام مدى ربط الأطواق بإحكام أثناء التشغيل.

3.8 تركيب مجموعة البطارية

الشكل 5.

⚠ تحذير

- إذا كانت مجموعة البطارية أو الشاحن تالفين، فاستبدل التالف منهما.
- أوقف الآلة وانتظر إلى أن يتوقف المحرك قبل تركيب مجموعة البطارية أو خلعها.
- اقرأ التعليمات الواردة في دليل البطارية والشاحن وافهما ونفذها.

1. قم بمحاذاة دعائم الرفع الموجودة بمجموعة البطارية مع التجاويف الموجودة في حجرة البطارية.
2. ادفع مجموعة البطارية في حجرة البطارية إلى أن تثبت المجموعة في مكانها الصحيح.

1. احتفظ بالأفرع الكبيرة الموجودة في الجانب السفلي كي تعمل على تثبيت الزند من الوقوع على الأرض.
2. أزل الأفرع الصغيرة مرة واحدة.
3. اقطع الأفرع المشدودة من الأسفل للأعلى.
4. احتفظ بالأفرع الكبيرة الموجودة في الجانب السفلي كدعامة حتى الانتهاء من قطع الزند.

5 الصيانة

⚠ تحذير

لا تدع سوائل الفرملة أو البنزين أو المواد القائمة على البترول تلامس الأجزاء البلاستيكية حيث أن المواد الكيميائية قد تتسبب في تلف الأجزاء البلاستيكية وجعلها غير قابلة للصيانة.

⚠ تحذير

لا تستخدم محاليل أو منظفات قوية على الهيكل البلاستيكي أو المكونات البلاستيكية.

⚠ تحذير

أخرج مجموعة البطارية من الآلة قبل إجراء أعمال الصيانة.

5.1 ضبط شد السلسلة

الشكل 10.13.14

⚠ تحذير

احرص على ارتداء قفازات واقية إذا كان من الممكن أن تلامس السلسلة أو القضيب أو المناطق المحيطة بالسلسلة.

1. فك غطاء السلسلة عن طريق إدارة صامولة قفل غطاء السلسلة عكس اتجاه عقارب الساعة.

i ملاحظة

من غير الضروري إزالة غطاء السلسلة لضبط شد السلسلة.

2. أدر مسمار ضبط السلسلة في اتجاه عقارب الساعة لزيادة شد السلسلة.
3. أدر مسمار ضبط السلسلة عكس اتجاه عقارب الساعة لتقليل شد السلسلة.
4. وعند وصول السلسلة للشدد المطلوب، اربط غطاء السلسلة.

5.2 شحذ القواطع

اشحذ القواطع إن لم تتحرك السلسلة بسهولة في الخشب.

i ملاحظة

نوصي بأن يقوم مركز خدمة فيه مشحذ كهربائي بتنفيذ أعمال الشحذ الهامة.

الشكل 15-18..

1. شد السلسلة.
2. اشحذ زاوية القواطع باستخدام مربرد مستدير بقطر 5/32 بوصة (4 مم).
3. اشحذ اللوحة العلوية، واللوحة الجانبية، ومقياس العمق بمربرد مسطح.
4. ابرد جميع القواطع بالزوايا المحددة وعلى نفس الطول.

i ملاحظة

أثناء العملية،

- حافظ على افتراض المربرد للسطح المراد شحذه.
- استخدم نقطة الوسط الموجودة بقضيب المربرد.
- طبق ضغطاً خفيفاً وليس قوياً عند شحذ السطح.
- ارفع المربرد عند كل حركة عكسية.
- اشحذ القواطع على جانب واحد، ثم انتقل إلى الجانب الآخر.

استبدل السلسلة إذا:

- كان طول حواف القطع أقل من 5 مم.
- كانت هناك مسافة كبيرة جداً بين وصلات نقل حركة السلسلة والبرشام.
- سرعة القطع بطيئة
- قمت بشحذ السلسلة عدة مرات ولكن هذا لم يزد من سرعة القطع. تآكل السلسلة.

5.3 صيانة قضيب التوجيه

الشكل التوضيحي 19-20.

i ملاحظة

احرص على قلبه بانتظام للمحافظة على التآكل المتماثل للقضيب.

1. قم بتزييت كراسي التحميل (البلي) الموجودة بترس الطرف الأمامي (إن وجد) بمحقة (غير مرفقة).
2. نظف تجويف القضيب بخطاف كشط (غير مرفق).
3. نظف فتحات التزييت.
4. أزل التلوثات عن الحواف وابدق القواطع لتسويتها بمربرد مسطح.

استبدل القضيب إذا:

- عدم تواءم التجويف مع ارتفاع وصلات نقل حركة السلسلة (والتي لا ينبغي أبداً أن تلامس القاع).
- تعرض الجانب الداخلي لقضيب التوجيه للتآكل، وهو ما يتسبب في ميل السلسلة إلى أحد الجانبين.

6 النقل والتخزين

قبل نقل الآلة، اتبع دائماً ما يلي

- اخلع مجموعة البطارية من الآلة.
- اجعل يدك بعيداً عن زر القفل.
- ضع الغمد على قضيب التوجيه والسلسلة.

قبل وضع الآلة في المخزن، اتبع دائماً ما يلي

- تخلص من كل الزيت المتبقي في الآلة.
- اخلع مجموعة البطارية من الآلة.
- نظف جميع المواد غير المرغوب فيها عن الآلة.
- احرص على أن تكون منطقة التخزين

- غير مئاحة للأطفال.
- بعيدة عن المواد التي قد تتسبب في التآكل، مثل كيماويات الحديقة أو الملح المزبل للجليد.

الاختزاز	$> 2.5 \text{ م/ث}^2, K = 1.5 \text{ م/ث}^2$
السلسلة	25AP058X
قضية التوجيه	(100SDAA041(509877)
طراز البطارية	82V180, 82V290P, 82V360, 82V580P وسلاسل BAB الأخرى
طراز الشاحن	82C6 وسلاسل CAB الأخرى
IPX	IPX4

9 قرار التوافق مع معايير الاتحاد الأوروبي

اسم وعنوان الشركة الصانعة:

الاسم: GLOBGRO AB

Globe Group Europe

العنوان: Riggaregatan 53, 211 13 Malmö, Sweden

اسم وعنوان الشخص المخول له جمع الملف الفني:

الاسم: Micael Johansson

العنوان: Riggaregatan 53, 211 13 Malmö, Sweden

بموجب ذلك نعلن أنّ المنتج

الفئة: منشأ عمودي

الطراز: (82PST39(PSB402

رقم المسلسل: راجع رقة تقييم المنتج

سنة تصميم المنتج: راجع رقة تقييم المنتج

• متوافق مع الأقسام ذات الصلة من توجيه الآلات EC/2006/42.

• متوافق مع أقسام توجيهات الاتحاد الأوروبي الأخرى التالية:

• EU/2014/30

• EC/2005/88 و EC/2000/14

• EU/2011/65 و EU(2015/863)

بالإضافة إلى ذلك، نعلن أنّ المعايير المنسقة الأوروبية (أو أجزاء/فقرات منها) التي تم استخدامها هي:

• EN 60745-1, EN ISO 11680-1, EN 55014-1, EN 55014-2,

EN ISO 3744, ISO 11094, IEC 62321-3-1, IEC 62321-4,

IEC 62321-5, IEC 62321-6, IEC 62321-7-1, IEC

62321-7-2, IEC 62321-8

مستوى قوة الصوت المقدر: $L_{WA} = 95.7$ ديسيبل (A)

مستوى قوة الصوت المضمون: $L_{WA,d} = 99$ ديسيبل (A)

طريقة تقييم التوافق بالملحق V بالتوجيه EC/2000/14.

رقم شهادة الاختبار المتوافق مع تشريعات الاتحاد الأوروبي (EC): مستندة من قبل SGS Fimko Ltd (0598), Takomotie 8, FI-00380 Helsinki, Finland.

المشكلة	السبب المحتمل	الحل
الآلة لا تبدأ العمل	الأعمدة غير مُجمّعة بشكل صحيح.	قم بتجميع الأعمدة وفقاً للتعليمات.
	لم يتم الضغط على زر القفل والزيادة في نفس الوقت.	1. اضغط مع التثبيت على زر القفل 2. أثناء ضغطك على زر القفل، اسحب الزناد. 3. اترك زر القفل لبدء تشغيل الآلة.
القضية والسلسلة يصبجان ساخنين ويصدر عنهما أذخنة.	خزان الزيت فارغ.	املأ خزان الزيت.
	منفذ التفريغ مسدود.	1. اخلع مجموعة البطارية. 2. أزل الأتربة عن منفذ التفريغ.
	فتحة مدخل خزان الزيت الداخلي مسدودة.	1. نظف خزان الزيت. 2. املأ الخزان بزيت قضيب وسلسلة نظيف.
	الغطاء عالق ومسدود بالأوساخ.	1. نظف الغطاء. 2. املأ الخزان بزيت قضيب وسلسلة نظيف.
القضية والسلسلة يصبجان ساخنين للغاية ولا يمكنهما القطع.	شد السلسلة زائد للغاية أو ضعيف للغاية.	راجع قسم ضبط شد السلسلة في الدليل.
	السلسلة غير حادة.	قم بشحن السلسلة أو استبدلها.
	السلسلة موضوعة باتجاه عكسي.	أخرج السلسلة وحولها في الاتجاه الصحيح.
المحرك يدور، ولكن السلسلة لا تقطع بشكل صحيح، أو أنّ المحرك يتوقف بعد حوالي 3 ثوانٍ.	عند استخدام الآلة تحت تحميل عمل، تتوقف.	1. اترك الزناد. 2. ابدأ تشغيل الآلة مرة أخرى.
	السلسلة غير مزينة.	قم بتزيين السلسلة لتقليل الاحتكاك.

8 البيانات الفنية

V DC 82	الجهد الكهربائي
m/s 20.5	السرعة بدون حمل
mm 250	طول النزاع الدليلي
ml 150	سعة زيت السلسلة
kg 5.35	الوزن (بدون وحدة البطارية)
$L_{pA} = 83$ ديسيبل (A), $K_{pA} = 3$	مستوى ضغط الصوت المقدر
$L_{WA,d} = 99$ ديسيبل (A)	مستوى قوة الصوت المضمون

Ted Qu

1 Açıklama.....	144	4 Çalışma.....	145
1.1 Amaç.....	144	4.1 Zincirin yağ durumunu kontrol edin.....	145
1.2 Genel bakış.....	144	4.2 Makineyi çalıştırma.....	146
2 Elektrikli aletler için genel güvenlik uyarıları.....	144	4.3 Makineyi durdurun.....	146
3 Kurulum.....	144	4.4 Ağacı kesmek.....	146
3.1 Makineyi paketinden çıkarın.....	144	4.5 Ağaç dallarını kesin.....	146
3.2 Çubuk ve zincir yağı ekleyin.....	144	5 Bakım.....	146
3.3 Kılavuz çubuğu ve zinciri birleştirin.....	144	5.1 Zincir gerginliğini ayarlayın.....	146
3.4 Omuz askısını kullanın.....	145	5.2 Kesicileri keskinleştirin.....	146
3.5 Uzatmalı testerenin uzunluğunu ayarlayın....	145	5.3 Kılavuz çubuğu bakımı.....	147
3.6 Uzatmalı testere kafasının açısını ayarlayın..	145	6 Taşıma ve depolama.....	147
3.7 Kesime hazırlık.....	145	7 Sorun Giderme.....	147
3.8 Bataryayı takma.....	145	8 Teknik veriler.....	148
3.9 Aküyü çıkarın.....	145	9 AB Uygunluk beyanı.....	148

1 AÇIKLAMA

1.1 AMAÇ

Ürün, operatörün dik duran ağaçların dallarını kesmesine izin vermek amacıyla bir direk üzerine monte edilmiştir, ancak normal elektrikli testere gibi odun kesmeyi amaçlamamaktadır.

Bu cihaz, gözetim altında olmaksızın veya emniyetlerinden sorumlu bir kişi tarafından cihazın kullanımına ilişkin bilgilendirilmeksizin fiziksel, duyuşsal veya zihinsel kapasiteleri zayıf veya deneyim ve bilgi eksikliği olan kişiler (çocuklar dahil) tarafından kullanılmak üzere tasarlanmamıştır.

Çocukların cihazla oynamalarını sağlamak için gözetim altında tutulmaları gerekir.

1.2 GENEL BAKIŞ

Şekil 1-20.

- | | |
|---------------------------|-----------------------------------|
| 1 Kilit açma düğmesi | 13 Yağ haznesinin kapağı |
| 2 Küçük kilitleme düğmesi | 14 Yağ göstergesi |
| 3 Tetik | 15 Pala oluğu |
| 4 Yardımcı tutma yeri | 16 Kesici |
| 5 Uzatmalı testere sapı | 17 Zincir hareketi bağlantıları |
| 6 Taşıma halkası | 18 Zincir dişlisi |
| 7 Vida kapağı | 19 Zincir gerdirme pim deliği |
| 8 Uzatma borusu | 20 Zincir kapağı kilitleme somunu |
| 9 Uzatmalı testere Kafası | 21 Zincir gerdirme vidası |
| 10 Zincir kapağı | |
| 11 Pala | |
| 12 Testere zinciri | |

2 ELEKTRİKLİ ALETLER İÇİN GENEL GÜVENLİK UYARILARI

▲ UYARI

Bu elektrikli alet ile birlikte verilen tüm güvenlik uyarılarını, talimatları, çizimleri ve teknik özellikleri okuyun. Tüm talimatlara uyulmaması elektrik çarpmasına, yangın ve/veya ciddi yaralanmalara sebep olabilir.

Tüm uyarı ve talimatları gelecekte başvuru amacıyla muhafaza edin.

Uyarılarda geçen "elektrikli alet" terimi ile elektrik prizinden beslenen (kablolu) elektrikli alet veya şarjlı (kablesiz) elektrikli alet kastedilmektedir.

3 KURULUM

3.1 MAKİNEYİ PAKETİNDEN ÇIKARIN

▲ UYARI

Makineyi kullanmadan önce doğru şekilde monte ettiğinizden emin olun.

▲ UYARI

- Parçalar hasarlı ise makineyi kullanmayın.
- Tüm parçalara sahip değilseniz, makineyi kullanmayın.
- Parçalar hasarlı veya eksikse, servis merkezine başvurun.

1. Paketi açın.
2. Kutunun içindeki belgeleri okuyun.
3. Tüm birleştirilmemiş parçaları kutudan çıkarın.
4. Makineyi kutudan çıkarın.
5. Kutuyu ve paketi yerel düzenlemelere uygun olarak atın.

3.2 ÇUBUK VE ZİNCİR YAĞI EKLEYİN

Makinedeki yağ miktarını kontrol edin. Yağ seviyesi düşükse, çubuğu ve zincir yağını aşağıdaki gibi ekleyin.

i ÖNEMLİ

Sadece çubuk ve zincir yağı için kullanılan çubuk ve zincir gresörü kullanın.

i NOT

Makine fabrika çıkışında çubuk ve zincir yaği eklenmemiş haldedir.

1. Yağ haznesinin kapağını çevirerek gevşetin ve çıkarın.
2. Yağı yağ haznesine koyun.
3. Yağı eklerken yağ haznesinde kir bulunmadığından emin olmak için yağ göstergesini kontrol edin.
4. Yağ kapağını takın.
5. Yağ kapağını sıkın.
6. Tamamen doldurulmuş bir yağ deposu 15 - 40 dakika çalışma süresine sahiptir.

i ÖNEMLİ

Kirli, kullanılmış veya kirlenmiş yağlar kullanmayın. Çubuk veya zincir hasar görebilir.

3.3 KILAVUZ ÇUBUĞU VE ZİNCİRİ BİRLEŞTİRİN

Şekil 10-14.

1. Aküyü makineden çıkarın.
2. Zincir kapağı somunlarını anahtarla sökün.

3. Zincir kapağını sökün.
4. Zincir tahrik bağlantılarını çubuk yuvasına yerleştirin.
5. Zincir kesicilerini zincirleme yönünde yerleştirin.
6. Zinciri yerine yerleştirin ve halkanın kılavuz çubuğun arkasında olduğundan emin olun.
7. Zinciri ve çubuğu tutun.
8. Zincir halkasını dişlinin etrafına koyun.
9. Kılavuz çubuktaki zincir gerginliği pimi deliğinin civata ile doğru şekilde oturduğundan emin olun.
10. Zincir kapağını takın.
11. Zinciri sıkın. Bkz. *Zincir gerginliğini ayarlayın.*
12. Zincir iyice gerildiğinde somunları sıkın.

i NOT

Zincir testereyi yeni bir zincirle başlatırsanız, 2-3 dakika boyunca test edin. Ondan sonra, gerginliği tekrar inceleyin ve gerekirse zinciri sıkın.

3.4 OMUZ ASKISINI KULLANIN

Şekil 4.

1. Karabinayı uzatmadaki taşıma halkasına takın.
2. Omuz askısını takın.
3. Kayışın uzunluğunu, karabina sağ kalça altından bir elin genişliği kadar olacak şekilde ayarlayın.

3.5 UZATMALI TESTERENİN UZUNLUĞUNU AYARLAYIN

Şekil 3.

1. Tasmayı saat yönünün tersine çevirerek gevşetin.
2. Uzatmalı testerenin uzunluğunu ayarlamak için uzatma direğini yukarı veya geri çekin.
3. Yakayı sıkın.

3.6 UZATMALI TESTERE KAFASININ AÇISINI AYARLAYIN

Uzatmalı testere kafasının iki açısı vardır: 0° veya 90°, kutup açterese dikey veya yatay kesebilir.

Şekil 6.

1. Direğin üzerindeki iki vidayı İngiliz anahtarıyla birlikte uzatmalı testere kafasıyla gevşetin.
2. Vidalar kutup üzerindeki vida deliklerine sığana kadar direği çevirmek başı 90° gördü.
3. Vidaları sıkın.

3.7 KESİME HAZIRLIK

Şekil 4.

Bir ağacı kesmeden önce, aşağıdakilerden emin olun

- Maksimum kavrama ve koruma için iş eldivenleri kullanın.
- Çalışma sırasında makinede uygun bir şekilde tutmaya dikkat edin.
 - Arka sapı kavramak için sağ elinizi kullanın ve sol elinizle de uzatmanın şaftını tutun.
 - Vücudunuzu zincir hattının solunda tutun.
 - Asla sol elle (çapraz elle) kavramayın ya da vücudunuz veya kolunuz zincir hattında olacak şekilde tutmayın.
- Keserken asla doğrudan ağaç dalının altına durmayın.
- Çalışma sırasında kelepçelerin sıklığını periyodik olarak kontrol edin.

3.8 BATARYAYI TAKMA

Şekil 5.

▲ UYARI

- Batarya veya şarj cihazı hasarlıysa bataryayı veya şarj cihazını değiştirin.
- Makineyi durdurun ve bataryayı takmadan veya çıkarmadan önce motorun durmasını bekleyin.
- Batarya ve şarj cihazının kılavuzundaki talimatları okuyun, anlayın ve uygulayın.

1. Bataryadaki yükseltme dişlerini batarya bölmesindeki oluklarla hizalayın.
2. Bataryayı yerine oturana kadar batarya bölmesine doğru itin.
3. Bir tık sesi duyduğunuzda batarya takılmıştır.

3.9 AKÜYÜ ÇIKARIN

Şekil 5.

1. Akü çıkarma düğmesine basın ve basılı tutun.
2. Aküyü makineden çıkarın.

4 ÇALIŞMA

i NOT

Pili çıkartın ve makineyi hareket ettirirken ellerinizi kilit açma düğmesinden uzak tutun.

i ÖNEMLİ

Her kullanımdan önce zincir gerginliğini kontrol edin.

4.1 ZİNCİRİN YAĞ DURUMUNU KONTROL EDİN

i NOT

Makineyi yeterli zincir yağı olmadan kullanmayın.

Şekil 2.

1. Yağ seviyesini yağ göstergesinden inceleyin.
2. Gerekirse daha fazla yağ ekleyin.

4.2 MAKİNEYİ ÇALIŞTIRMA

Şekil 7.

1. Pil takımını makineye takın.
2. Güvenlik kilidi düğmesine basın.
3. Küçük güvenlik kilidi düğmesini çekin.
4. Tetiğe basın.

4.3 MAKİNEYİ DURDURUN

Şekil 7.

1. Makineyi durdurmak için tetiği serbest bırakın.

4.4 AĞACI KESMEK

Şekil 8.

▲ UYARI

Dalların düştüğü bölgede hiç kimsenin bulunmadığından emin olun.

- Keseceğiniz dalın karşısında durun.
- Daha yüksek dalları kesmeye başlayın.
- Sonra alt dalları kesin.
- Çubuğun sıkışmasını önlemek için aşağı doğru kesin.

4.5 AĞAÇ DALLARINI KESİN

Ana dalları kesme, dalları düşmüş bir ağaçtan ayırmaktır.

Şekil 9.

1. Kütüğü yerden yukarıda tutmak için daha büyük alt dalları saklayın.
2. Küçük dalları tek bir kesimle çıkarın.
3. Dallar alttan yukarıya doğru gererek kesin.
4. Daha büyük alt dalları, kütükteki dallar kesilene kadar destek olarak tutun.

5 BAKIM

▲ İKAZ

Fren sıvılarının, benzin, petrol bazlı malzemelerin plastik parçalara temas etmesine izin vermeyin. Kimyasallar plastiğe zarar verebilir ve plastik maddeyi hizmet dışı bırakabilir.

▲ İKAZ

Plastik muhafaza veya parçalarda güçlü solvent veya deterjanlar kullanmayın.

▲ UYARI

Bakımdan önce makineden aküyü çıkarın.

5.1 ZİNCİR GERGINLIĞINI AYARLAYIN

Şekil 10.13.14

▲ İKAZ

Zincire, çubuğa veya zincir etrafındaki yerlere dokunurken koruyucu eldiven takın.

1. Zincir kapağı kilitleme somununu saat yönünün tersine çevirerek zincir kapağını gevşetin.

i NOT

Zincir gerilimini ayarlamak için zincir kapağını çıkarmak gerekmez.

2. Zincir gerginliğini arttırmak için zincir ayar vidasını saat yönünde çevirin.
3. Zincir gerginliğini azaltmak için zincir ayar vidasını saat yönünün tersine çevirin.
4. Zincir istenen gerilime ulaştığında, zincir kapağını sıkın.

5.2 KESİCİLERİ KESKİNLEŞTİRİN

Zincirin tahtaya girmesi kolay değilse, kesicileri keskinleştirin.

i NOT

Önemli bileme işlerinin elektrikli bileyicisi olan bir servis merkezi tarafından yapılmasını tavsiye ederiz.

Şekil 15-18..

1. Zinciri gerdirmeye.
2. Kesicilerin köşesini 5/32 inç (4 mm) çapında yuvarlak bir bileyici ile keskinleştirin.
3. Üst plakayı, yan plakayı ve derinlik göstergesini düz bir bileyici ile keskinleştirin.
4. Tüm kesicileri belirtilen açılara ve aynı uzunlukta bileyin.

i NOT

İşlem sırasında,

- Bileyiciyi bilenecek yüzeyle düz olacak şekilde tutun.
- Bileyici çubuğunun orta noktasını kullanın.
- Yüzeyi keskinleştirirken hafif ancak sert bir basınç uygulayın.
- Her dönüş darbesinde bileyiciyi kaldırın.
- Kesicileri bir tarafa keskinleştirin ve ardından diğer tarafa doğru hareket ettirin.

Zinciri şu durumlarda değiştirin:

- Kesme kenarlarının uzunluğu 5 mm'den az.

- Tahrik bağlantıları ve perçinler arasında çok fazla boşluk var.
- Kesim hızı yavaş
- Zinciri birçok kez bileدید ama kesme hızı artmadı. Zincir yıpranmış.

5.3 KILAVUZ ÇUBUĞU BAKIMI

Şekil 19-20.

i NOT

Çubuktaki aşınmayı simetrik tutmak için periyodik olarak döndürüldüğünden emin olun.

1. Burun zincir dişlisi üzerindeki yatakları (mevcutsa) sıringayla (dahil değildir) yağlayın.
2. Çubuk yivini kazıma kancasıyla (dahil değildir) temizleyin.
3. Yağlama deliklerini temizleyin.
4. Kenarlardan çapakları alın ve kesicileri düz bir bileyici ile tesviye edin.

Çubuğu şu durumlarda değiştirin:

- Yiv, sürücü bağlantılarının yükseklğine göre (asla yere değmemesi gereken) uygun değildir.
- Kılavuz çubuğun içi aşınmış ve zinciri bir tarafa yashyorsa.

6 TAŞIMA VE DEPOLAMA

Makineyi taşımadan önce, daima

- Aktüyü makineden çıkarın.
- Kilit açma düğmesinden ellerinizi uzak tutun.
- Kıym kılavuz çubuğa ve zincire koyun.

Makineyi depoya kaldırmadan önce, daima

- Makinedeki tüm yağ artıklarını alın.
- Aktüyü makineden çıkarın.
- Makineden istenmeyen tüm malzemeleri temizleyin.
- Depolama alanının şunlara uygun olduğundan emin olun.
 - Çocukların erişiminde değildir.
 - Bahçe kimyasalları ve buz çözücü tuzlar gibi korozyona neden olabilecek maddelerden aridir.

7 SORUN GİDERME

Sorun	Olası neden	Çözüm
Makine çalışmıyor.	Uzatmalar doğru şekilde takılmamış.	Uzatmaları talimatlara göre monte edin.
	Kilit açma düğmesi ve tetik aynı anda basılmamış.	<ol style="list-style-type: none"> 1. Kilit açma düğmesine basın ve basılı tutun 2. aKilit açma düğmesini basılı tutarken, tetiği çekin. 3. Programı başlatmak için kilit açma düğmesini serbest bırakın.
Bar ve zincir ısınıyor ve duman çıkıyor.	Yağ haznesi boş.	Yağ haznesini doldurun.
	Boşaltma yuvası bloke.	<ol style="list-style-type: none"> 1. Aktüyü çıkarın. 2. Boşaltım yuvasındaki kiri alın.
	İç yağ deposunun giriş deliği tıkalı.	<ol style="list-style-type: none"> 1. Yağ haznesini temizleyin. 2. Temiz çubuk ve zincir yağı ile doldurun.
	Dişli, sıkışmış ve kalıntılarla tıkanmış.	<ol style="list-style-type: none"> 1. Dişliyi temizleyin. 2. Temiz çubuk ve zincir yağı ile doldurun.
Çubuk ve zincir çok ısınıyor ve kesemiyor.	Zincir gerginliği çok sıkı veya çok gevşek.	Kılavuzdaki Zincir Gerilimini Ayarlama bölümüne bakın.
	Zincir küt	Zinciri keskinleştirin veya değiştirin.
	Zincir geriye doğru takılıyor.	Zinciri çıkarın ve doğru yöne çevirin.

Sorun	Olası neden	Çözüm
Motor çalışıyor, ancak testere doğru şekilde kesmiyor veya motor 3 saniye sonra duruyor.	Makineyi yük altında kullandığınızda, durur.	1. Tetiği serbest bırakın. 2. Makineyi tekrar çalıştırın.
	Zincir yağlanmamış.	Sürtünmeyi azaltmak için zinciri yağlayın.

8 TEKNİK VERİLER

Voltaj	82 V DC
Yüksüz hız	20.5 m/s
Kılavuz çubuk uzunluğu	250 mm
Zincir yağı kapasitesi	150 ml
Ağırlık (akü hariç)	5.35 kg
Ölçülen ses basınç düzeyi	$L_{pA} = 83 \text{ dB(A)}$, $K_{pA} = 3 \text{ dB(A)}$
Garanti edilen ses güç düzeyi	$L_{WA,d} = 99 \text{ dB(A)}$
Titreşim	$< 2.5 \text{ m/s}^2$, $K = 1,5 \text{ m/s}^2$
Zincir	25AP058X
Kılavuz çubuk	100SDAA041(509877)
Akü modeli	82V180, 82V290P, 82V360, 82V580P ve diğer BAB serileri
Şarj cihazı modeli	82C6 ve diğer CAB serileri
IPX	IPX4

9 AB UYGUNLUK BEYANI

Üreticinin adı ve adresi:

Ad: GLOBGRO AB
Globe Group Europe
Adres: Riggaregatan 53, 211 13 Malmö, İsveç

Teknik dosyayı derlemek için yetkili kişinin adı ve adresi:

Ad: Micael Johansson
Adres: Riggaregatan 53, 211 13 Malmö, İsveç

İşbu belge ile, bu ürüne ilişkin olarak aşağıdakileri beyan ederiz

Kategori: Uzatmalı Testere
Model: 82PST39(PSB402)

Seri numarası: Ürün derecelendirme etiketine bakın

Yapım Yılı: Ürün derecelendirme etiketine bakın

- 2006/42/EC sayılı Makine Direktifinin ilgili hükümlerine uygundur.
- aşağıdaki diğer AB Direktiflerinin hükümlerine uygundur:
 - 2014/30/EU
 - 2000/14/EC & 2005/88/EC
 - 2011/65/EU & (EU)2015/863

Ayrıca, aşağıdaki Avrupa uyumlaştırılmış standartlarının (parçalarının/maddelerinin) kullanıldığını beyan ederiz:

- EN 60745-1, EN ISO 11680-1, EN 55014-1, EN 55014-2, EN ISO 3744, ISO 11094, IEC 62321-3-1, IEC 62321-4, IEC 62321-5, IEC 62321-6, IEC 62321-7-1, IEC 62321-7-2, IEC 62321-8

Ölçülen ses güç düzeyi: $L_{WA} = 95.7 \text{ dB(A)}$

Garanti edilen ses güç düzeyi: $L_{WA,d} = 99 \text{ dB(A)}$
cü seviyesi:

Uyum değerlendirme metodu Ek V Direktifi 2000/14/EC.

AT tip inceleme sertifikası numarası: düzenleyen SGS Fimko Ltd (0598), Takomotie 8, FI-00380 Helsinki, Finland.

Yer, tarih: Malmö, 11.11.2021
İmza: Ted Qu, Kalite Direktörü

Ted Qu

151	בדוק את מידת הסיכה של השרשרת.....	4.1
151	הפעל את המכשיר.....	4.2
151	כיבוי המכשיר.....	4.3
151	גיוזום ענפים מעצים.....	4.4
151	ענפי גזע כרות.....	4.5
152	תחזוקה.....	5
152	כוונן מידת הידוק השרשרת.....	5.1
152	השחזת שיני הניסור.....	5.2
152	תחזוקת גוף המסור.....	5.3
152	הובלה ואחסון.....	6
153	פתרון בעיות.....	7
153	מפרט טכני.....	8
	הצהרת תאימות לדרישות האיחוד	9
153	האירופי.....	

1	תיאור.....	150
1.1	מטרה.....	150
1.2	מבט כללי.....	150
2	אזהרות כלליות לשימוש בכלים	
	השמליים.....	150
3	התקנה.....	150
3.1	הסר את המכשיר מהאריזה.....	150
3.2	הוספת שמן לגוף המסור ולשרשרת.....	150
3.3	הרכב את גוף המסור ואת השרשרת.....	150
3.4	השתמש ברצועת הכתף.....	151
3.5	כוונן אורך מוט הגיזום.....	151
3.6	כוונן את זווית ראש מוט הגיזום.....	151
3.7	הכנה לניסור.....	151
3.8	התקן את מארז הסוללה.....	151
3.9	הסר את מארז הסוללה.....	151
4	תפעול.....	151

4. הסר את המכשיר מהאריזה.
5. יש להשליך את הקופסה ואת חומרי האריזה בהתאם לתקנות המקומיות.

3.2 הוספת שמן לגוף המסור ולשרשרת

בדוק את כמות השמן בכלי. אם מפלס השמן נמוך, הוסף שמן לגוף המסור ולשרשרת באופן הבא.

i חשוב

השתמש בשמן גוף מסור ושרשרת שנועד רק למשמני גופי מסור ולשרשרות.

i שים לב

הכלי מגיע מהמפעל ללא שמן מיוחד לגוף המסור ולשרשרת.

1. הברג החוצה את מכסה מכל השמן.
2. שפוך את השמן למכל השמן.
3. בדוק את מחוון מפלס השמן כדי לוודא שאין לכווץ במכל לפני הוספת השמן.
4. הברג את מכסה השמן בחזרה.
5. הדק את מכסה השמן.
6. מכל שמן מלא לגמרי יחזיק עבור 15-40 דקות של זמן הפעלה.

i חשוב

אל תשתמש בשמן מלוכלך, משומש או מזוהם. עלול להיגרם נזק לגוף המסור או לשרשרת.

3.3 הרכב את גוף המסור ואת השרשרת

אזור 10-14.

1. לפרק את מארז הסוללה מהכלי.
2. הסר את מכסה השרשרת מהכלי.
3. פרק את מכסה השרשרת.
4. הנח את חוליות השרשרת בתוך חריץ גוף המסור.
5. הנח את שיני השרשרת בכיוון הפעולה של השרשרת.
6. הנח את השרשרת במקומה וודא שהלולאה נמצאת מאחורי גוף המסור.
7. התזק את השרשרת ואת גוף המסור.
8. העבר את לולאת השרשרת מסביב לגלגל השרשרת.
9. ודא שהחזר של פין כוונון הידוק השרשרת, הנמצא על גוף המסור, מתאים בדיוק לבורג.
10. חבר את מכסה השרשרת.
11. הדק את השרשרת. עיין בסעיף כוונן את מידת הידוק השרשרת.
12. הדק את האומים כאשר השרשרת מתוחה.

i שים לב

אם אתה מפעיל את המסור עם שרשרת חדשה, בצע בדיקה של 2-3 דקות. לאחר מכן, בדוק את מידת הידוק והזק את השרשרת במידת הצורך.

1 תיאור

1.1 מטרה

למוצר מותאם מתקן חיתוך המורכב על עמוד על מנת לאפשר למפעיל לגזום ענפים של עצים אך איננו מיועד לחיתוך עצים בדומה למסור רגיל.

המכשיר איננו מיועד לשימוש על ידי אנשים (כולל ילדים) בעלי הבנה מוגבלת, או חוסר ניסיון וידע, אלא אם כן יש עליהם פיקוח או שהם קיבלו הוראות מראש בנושא השימוש במכשיר על ידי אדם האחראי לביטחונם.

יש לפקח על ילדים על מנת שלא יישחקו עם המכשיר.

1.2 מבט כללי

איור 1-20.

1	כפתור נעילת בטיחות	12	שרשרת המסור
2	להצנן נעילה קטן	13	מכסה מכל שמן
3	מזנק	14	מחוון מפלס שמן
4	ידיית עזר	15	חריץ המוט
5	ידיית מוט גיוום	16	שן ניסור
6	טבעת נשיאה	17	חוליות השרשרת
7	מכסה בורג	18	גלגל השרשרת
8	מוט הרחבה	19	חריץ מכוונן מתח שרשרת
9	ראש מוט מסור	20	אום נעילה מכסה שרשרת
10	מכסה שרשרת	21	בורג מידת הידוק השרשרת
11	גוף מסור		

2 אזהרות כלליות לשימוש בכלים חשמליים

▲ אזהרה

קרא את כל האזהרות, ההוראות, האיורים והמפרטים המגיעים עם מכשיר חשמלי זה. אי ציות להוראות המפורטות להלן עלול לגרום להתחשמלות, שריפה ו/או פגיעה גופנית חמורה.

שמור את כל האזהרות וההוראות לשימוש עתידי.

המונח "כלי עבודה חשמלי" המוזכר באזהרות מתייחס לכלי העבודה החשמלי שלך המופעל על ידי כבל (חוט) או על ידי סוללה (אלחוט).

3 התקנה

3.1 הסר את המכשיר מהאריזה

▲ אזהרה

לפני השימוש וודא שהרכבת את המכשיר כנדרש.

▲ אזהרה

- אם חלקים מסוימים פגומים, אל תשתמש במכשיר.
- אם אין לך את כל החלקים, אל תפעיל את המכשיר.
- אם יש חלקים פגומים או חסרים, פנה למרכז השירות.

1. פתח את האריזה.
2. עיין במסמכים שמכילה האריזה.
3. הסר את כל החלקים הלא מורכבים מהאריזה.

3.4 השתמש ברצועת הכתף

איור 4.

1. חבר את טבעת החיבור לטבעת הנשיאה על המוט.
2. הכתף את רצועת הכתף.
3. התאם את אורך הרצועה כך שטבעת החיבור תהיה בערך ברוחב של יד מתחת למוטן הימנית שלך.

3.5 כיוונון אורך מוט הגיזום

איור 3.

1. שחרר את הקולר על ידי סיבובו נגד כיוון השעון.
2. משוך את ראש מוט ההרחבה כלפי מעלה או אחורה כדי להתאים את אורך מוט הגיזום.
3. הדק את הקולר.

3.6 כיוונון את זווית ראש מוט הגיזום

ראש מוט הגיזום בעל שתי זוויות: 0° או 90° מעלות, מוט הגיזום יכול לחתוך אנכית או אופקית.

איור 6.

1. שחרר את שני הברגים על ראש מוט הגיזום וראה עם מפתח הברגים.
2. סובב את ראש מוט הגיזום 90° עד שהברגים מתאימים לחורי הבורג שעל המוט.
3. הדק את הברגים.

3.7 הכנה לגיסור

איור 4.

- לפני שתחיל לנסר, הקפד
- לעטות כפפות כבדות לאחזיה והגנה מקסימליים.
 - שמור על אחיזה נאותה של המכונה בזמן פעולה.
 - אחז את הידית האחורית בידך הימנית כשידך השמאלית אוזנת בקת המוט.
 - הקפד להותיר את גופך לשמאלו
 - לעולם אל תשתמש באחיזה שמאלית (בשיכול ידיים), או בכל תנוחה המציבה את גופך או זרועך לרוחב קו השרשרת.
 - לעולם אין לעמוד ישירות מתחת לענף אותו הנך מנסר.
 - בדוק מעת לעת את עוצמת הידוק של הצווארונים בזמן פעולה.

3.8 התקן את מארז הסוללה

איור 5.

▲ אזהרה

- אם מארז הסוללה או המטען פגומים, החלף את מארז הסוללה או את המטען.
- כבה את הכלי וחכה עד לעצירת המנוע לפני התקנה או הסרה של מארז הסוללה.
- הקפד לקרוא, להבין ולבצע את ההוראות שבמדריך הסוללה והמטען.

1. התאם את הצלעות של מארז הסוללה לחריצים בתא הסוללה.
2. דחוף את הסוללה אל תוך תא הסוללה עד שמארו הסוללה יינעל.
3. כשתשמע קליק, זה אומר שמארו הסוללה מותקן במקומו.

3.9 הסר את מארז הסוללה

איור 5.

1. לחץ לחיצה ממושכת על כפתור שחרור הסוללה.
2. הסר את מארז הסוללה מהמכשיר.

4 תפעול

i שים לב

כשמזוים את הכלי, יש להוציא את מארז הסוללה ולהרחיק את הידיים מכפתור הנעילה.

i חשוב

בדוק את מידת הידוק השרשרת לפני כל שימוש.

4.1 בדוק את מידת הסיכה של השרשרת.

i שים לב

אל תשתמש בכלי ללא סיכה מספקת של השרשרת.

איור 2.

1. בדוק את רמת הסיכה ממחווון מפלס השמן.
2. הוסיפו חומר סיכה נוסף, לפי הצורך.

4.2 הפעל את המכשיר

איור 7.

1. התקן את מארז הסוללה אל הכלי.
2. שחרר את לחצן נעילת הבטיחות.
3. משוך את לחצן נעילת הבטיחות הקטן כלפי מעלה.
4. לחץ על ההדק.

4.3 כיבוי המכשיר

איור 7.

1. שחרר את הדק ההפעלה כדי לעצור את המכשיר.

4.4 גיזום ענפים מעצים

איור 8.

▲ אזהרה

וודא שאין שום דבר או אף אחד באזור בו נופלים הענפים.

- עמוד מנגד הענף אותו אתה רוצה לגזום.
- התחל בגיזום הענפים הגבוהים יותר.
- לאחר מכן גזום את הענפים הנמוכים יותר.
- חתוך כלפי מטה על מנת למנוע מן הבר להיתקע.

4.5 ענפי גזע כרות

ניסור ענפי הגזע נועד להסיר את הענפים מעץ שנכרת ונפל.

איור 9.

4. שייף את כל שיני הניסור לזוויות שהוגדרו והקפד על כך שיהיו באותו אורך.

i שים לב

במהלך השייף,

- הקפד על כך שהמשוּף יהיה שטוח ביחס למשטח המשוּף.
- השתמש בנקודת האמצע של להב המשוּף.
- הפעל לחץ קל אך קבוע בזמן שייף המשטח.
- הרם את להב המשוּף לפני כל חזרה לנקודת תחילת השייף.
- השזו את שיני הניסור בצד אחד, ואחר כך עבור לצד השני.

החלף את שרשרת כאשר:

- אורך קצות החיתוך נמוך מ-5 מ"מ.
- יש רווח גדול בין מדי חוליות השרשרת לבין המסמרות (ניטים).
- מהירות הניסור נמוכה.
- לאחר השחזות רבות של השרשרת, מהירות הניסור עדיין נמוכה. השרשרת שחוקה.

5.3 תחזוקת גוף המסור

איור 19-20.

i שים לב

הקפד להפוך את צד גוף המסור מפעם לפעם כדי שהשחיקה תהיה סימטרית בשיני צדדיו.

1. שמן את המסבים בגלגל השרשרת הקיצוני (אם ישנו) בעזרת מזרק שמן (לא כלול).
2. נקה את חריץ גוף המסור בעזרת וו גירוד (לא כלול).
3. נקה את חורי הסיכה.
4. הסר הספוסים מהפינות והשזו את שיני הניסור משוּף שטוח.

החלף את גוף המסור כאשר:

- החריץ אינו באותו גובה כמו חוליות השרשרת (שאסור שיגעו אף פעם בתחתיתו).
- חלקו הפנימי של גוף המסור שחוק וגורם להטיית השרשרת לצד אחד.

6 הובלה ואחסון

לפני העברת המכשיר, הקפד תמיד

- לפרק את מארז הסוללה מהכלי.
- להרחיק את הידיים מכפתור הנעילה.
- לחבר את הנדן לגוף המסור ולשרשרת.

לפני אחסון הכלי, הקפד תמיד

- הסירו את שראיות השמן מן המכונה.
- לפרק את מארז הסוללה מהכלי.
- לנקות ממנו את כל הלכלוך והחומרים הלא רצויים.
- לוודא שאזור האחסון
- אינו נגיש לילדים.
- מרוחק מחומרים העלולים לגרום לקורוזיה, כגון כימיקלים לגינה ומלח להסרת קרח.

1. תן לענפים הנמוכים הגדולים להחזיק את בול העץ שנכרת מעל פני הקריקע.
2. הסר את הענפים הקטנים בניסור אחד.
3. נסר את הענפים בכיוון מלמטה למעלה.
4. שמור על הענפים הנמוכים הגדולים יותר כתמיכה עד לסיום ניסור ענפי העץ.

5 תחזוקה

▲ אזהרה

אל תאפשר לחלקי הפלסטיק לבוא במגע עם נוזל בלמים, בנוזן או חומרים עם נגזרות נפט. הכימיקלים עלולים לפגוע בפלסטיק ולגרום לכך שלא ניתן יהיה להשתמש בחלקי הפלסטיק.

▲ אזהרה

אין להשתמש בממסים או דטרגנטים חזקים לניקוי בית המכשיר או חלקי הפלסטיק.

▲ אזהרה

הסר את מארז הסוללה מהמכשיר לפני ביצוע תחזוקה.

5.1 כוונון מידת הידוק השרשרת

איור 10.13.14

▲ אזהרה

לבש כפפות הגנה בזמן נגיעה בשרשרת, במוט או באזורים שמסביב לשרשרת.

1. שחרר את מכסה השרשרת על ידי סיבוב אום נעילת מכסה השרשרת נגד כיוון השעון.

i שים לב

אין זה הכרחי לפרק את מכסה השרשרת כדי לכוונן את מידת הידוק השרשרת.

2. סובב את בורג מידת הידוק השרשרת לכיוון השעון על מנת להגדיל את הידוק השרשרת.
3. סובב את בורג מידת הידוק השרשרת נגד כיוון השעון על מנת להקטין את הידוק השרשרת.
4. לאחר הידוק השרשרת למידה הנכונה, הדק את מכסה השרשרת.

5.2 השחזות שיני הניסור

השזו את שיני הניסור במידה והשרשרת מתקשה לחדור לתוך העץ.

i שים לב

אנו ממליצים שמרכז שירות, אשר בבעלותו משוּף חשמלי, יבצע עבודות השחזה חשובות.

איור 15-18.

1. הידוק השרשרת.
2. השזו את פינות שיני הניסור בעזרת משוּף מעוגל בגודל 4 מ"מ.
3. השזו את הלוח העליון, הלוח הצדדי ומד העומק בעזרת משוּף שטוח.

150 ml	קיבולת מכל השמן של השרשרת
5.35 kg	משקל (ללא מארז הסוללה)
$L_{pA} = 83 \text{ dB(A)}$, $K_{pA} = 3 \text{ dB(A)}$	רמת לחץ הקול הנמדדת
$(L_{wA,d} = 99 \text{ dB(A)})$	רמת עוצמת הקול המבוטחת
$K = 1.5 \text{ m}^2/\text{s}^2$, $2.5 >$	רטט
25AP058X	שרשרת
(100SDAA041(509877)	גוף מסור
82V180, 82V290P, 82V360, 82V580P	דגם הסוללה
82C6	דגם המטען
IPX4	IPX4

9 הצהרת תאימות לדרישות האיחוד האירופי

שם וכתובת היצרן:

GLOBGRO AB שם:

Globe Group Europe

Riggaregatan 53, 211 13 Malmö, Sweden כתובת:

שם וכתובת הגורם המוסמך לעריכת המפרט הטכני:

Micael Johansson שם:

Riggaregatan 53, 211 13 Malmö, Sweden כתובת:

אני מצהיר/ים בזאת כי המוצר

קטגוריה מסור טלסקופי

דגם: (82PST39(PSB402

מספר סידורי: ראה את תוויית דירוג המוצר

שנת הייצור: ראה את תוויית דירוג המוצר

- עומד בדרישות הרלוונטיות של הנחיית הציוד EC/2006/42.
- עומד בדרישות הנחיות הבאות של האיחוד האירופי:

• EU/2014/30

• EC/2005/88- EC/2000/14

• EU/2011/65 - EU(2015/863)

יתר על כן, אנו מצהירים שהתבססנו על (החלקים/הסעיפים) הבאים של הסטנדרטים האירופאים הרמוניים:

- EN 60745-1, EN ISO 11680-1, EN 55014-1, EN 55014-2, EN ISO 3744, ISO 11094, IEC 62321-3-1, IEC 62321-4, IEC 62321-5, IEC 62321-6, IEC 62321-7-1, IEC 62321-7-2, IEC 62321-8

רמת עוצמת הקול הנמדדת: $(L_{wA}: 95.7 \text{ dB(A)})$

בעיה	סיבה אפשרית	פתרון
לא ניתן להפעיל את המכונה.	המוטות אינם מורכבים כהלכה.	הרכב את המוטות בהתאם להוראות.
	כפתור נעילת הבטיחות	1. משוך והחזק את כפתור נעילת הבטיחות
	כפתור נעילת הבטיחות והדוק לא משתחררים בו זמנית.	2. בזמן בו את מחזיק את כפתור נעילת הבטיחות, משוך את ההדק.
		3. שחרר את כפתור נעילת הבטיחות והפעל את המכונה.
הגוף והשרשרת מתחממים ומעלים עשן.	מכל השמן ריק.	מלא את מכל השמן.
	יציאת הפליטה חסומה.	1. הסר את מארז הסוללה. 2. הסר את הלכלוך מפתח הפליטה.
	פתח הקלט של מכל השמן הפנימי חסום.	1. נקה את מכל השמן. 2. מלא בחומר סיכה נקי עבור הגוף והשרשרת.
	גלגל השרשרת חסום ומלא בשאריות.	1. נקה את גלגל השרשרת. 2. מלא בחומר סיכה נקי עבור הגוף והשרשרת.
הגוף והשרשרת מתחממים יתר על המידה ולא יכולים לנסר.	מתח השרשרת הדוק או רפוי מדי.	עיון במדריך על מנת לכוונן את מתח השרשרת.
	השרשרת קהה	חדד או החלף את השרשרת.
	השרשרת מורכבת הפוך.	הוצא את השרשרת וסובב אותה אל הכיוון הנכון.
המנוע פועל, אך השרשרת אינה מנסרת כשורה, או שהמנוע כבה לאחר כ-3 שניות.	כאשר אתה משתמש במכונה תחת עומס, היא נעצרת.	1. שחרר את ההדק. 2. הפעל את המכשיר שוב.
	השרשרת אינה משומנת.	שמן את השרשרת כדי להפחית את מידת החיכוך.

8 מפרט טכני

מתח	V DC 82
מהירות ללא עומס	m/s 20.5
אורך גוף המסור	mm 250

רמת עוצמת הקול המובטחת: $(L_{WA,d}: 99 \text{ dB(A)})$

שיטת הערכת התאימות על-פי נספח V להנחיה EC/2000/14.
מספר תעודת בדיקת סוג עבור EC: פורסם על ידי SGS Fimko Ltd
(0598), Takomotie 8, FI-00380 Helsinki, Finland

מקום, תאריך: Malmö, חתימה: טד קו, אחראי איכות
11.11.2021

Ted Qu

1	Aprašymas.....	156	3.9	Akumulatoriaus išėmimas.....	157
1.1	Paskirtis.....	156	4	Darbas.....	157
1.2	Apžvalga.....	156	4.1	Grandinės tepimo tikrinimas.....	158
2	Bendrieji darbo su elektriniais įrankiais saugos įspėjimai.....	156	4.2	Įrenginio paleidimas.....	158
3	Montavimas.....	156	4.3	Įrenginio sustabdymas.....	158
3.1	Įrenginio išpakavimas.....	156	4.4	Medžio genėjimas.....	158
3.2	Juostos ir grandinės tepimo alyvos papildymas.....	156	4.5	Medžio šakų genėjimas.....	158
3.3	Kreipiamosios juostos ir grandinės montavimas.....	156	5	Techninė priežiūra.....	158
3.4	Peties diržo naudojimas.....	157	5.1	Grandinės įtempimo reguliavimas.....	158
3.5	Aukštąpjavės ilgio reguliavimas.....	157	5.2	Pjoviklių galandimas.....	158
3.6	Aukštąpjavės galvutės kampo reguliavimas..	157	5.3	Kreipiamosios juostos techninė priežiūra.....	159
3.7	Pasiruošimas pjovimui.....	157	6	Gabenimas ir sandėliavimas.....	159
3.8	Akumulatoriaus įstatymas.....	157	7	Trikčių šalinimas.....	159
			8	Techniniai duomenys.....	160
			9	EB atitikties deklaracija.....	160

1 APRAŠYMAS

1.1 PASKIRTIS

Gaminys turi ant koto sumontuotą pjovimo priedą, kad operatorius galėtų nupjauti stovinčio medžio šakas, tačiau jis netinka miškui pjauti kaip su įprastu grandininio pjūklų.

Asmenys (įskaitant vaikus), turintys mažesnę gebėjimą suprasti arba mažiau patirties bei žinių, gali naudotis šiuo prietaisu tik tuomet, jeigu yra prižiūrimi arba už jų saugumą atsakingas asmuo juos instruktavo, kaip saugiai naudotis prietaisu.

Vaikai turėtų būti stebimi, kad įsitikintumėte, jog jie nežaidžia su prietaisu.

1.2 APŽVALGA

1-20. paveikslas

- | | |
|---|------------------------------------|
| 1 Blokuotės išjungimo mygtukas | 13 Alyvos bakelio dangtelis |
| 2 Mažasis blokuotės išjungimo jungiklis | 14 Alyvos indikatorius |
| 3 Pagrindinis jungiklis | 15 Juostos griovelis |
| 4 Pagalbinė rankena | 16 Pjoviklis |
| 5 Aukštapjovės rankena | 17 Grandinės pavaros grandys |
| 6 Nešimo žiedas | 18 Žvaigždutė |
| 7 Varžto galvutė | 19 Grandinės įtempimo kaiščio anga |
| 8 Ilginamasis kotas | 20 Grandinės dangtelio antveržlė |
| 9 Aukštapjovės galvutė | 21 Grandinės įtempimo varžtas |
| 10 Grandinės dangtelis | |
| 11 Kreipiamoji juosta | |
| 12 Pjūklų grandinė | |

2 BENDRIEJI DARBO SU ELEKTRINIAIS ĮRANKIAIS SAUGOS ĮSPĖJIMAI

▲ ĮSPĖJIMAS

Perskaitykite ir peržiūrėkite visus su šiuo elektriniu įrankiu pateiktus saugos nurodymus, instrukcijas, iliustracijas ir specifikacijas. Nesilaikant visų toliau pateiktų instrukcijų, galima patirti elektros smūgį, sukelti gaisrą ir (ar) sunkiai susižaloti.

Išsaugokite visus įspėjimus ir nurodymus, kad prirėkusi galėtumėte pasižiūrėti.

Įspėjimuose naudojamas terminas „elektrinis įrankis“ reiškia prie maitinimo tinklo jungiamą (laidinį) elektrinį įrankį arba baterijos energiją naudojančią (belaidį) elektrinį įrankį.

3 MONTAVIMAS

3.1 ĮRENGINIO ĮSPĖJIMAS

▲ ĮSPĖJIMAS

Prieš naudodami įsitikinkite, ar tinkamai surinkote įrenginį.

▲ ĮSPĖJIMAS

- Jeigu yra pažeistų dalių, įrenginio nenaudokite.
- Jeigu dalių trūksta, įrenginio nenaudokite.
- Jeigu dalys pažeistos arba jų trūksta, kreipkitės į techninės priežiūros centrą.

1. Atidarykite pakuotę.
2. Perskaitykite dėžėje esančius dokumentus.
3. Iš dėžės išimkite visas nesumontuotas dalis.
4. Išimkite įrenginį iš dėžės.
5. Dėžę ir pakuotę išmeskite laikydamiesi atitinkamų reikalavimų.

3.2 JUOSTOS IR GRANDINĖS TEPIMO ALYVOS PAPILDYMAS

Patikrinkite alyvos lygį įrenginyje. Jei alyvos lygis žemas, papildykite juostos ir grandinės tepimo alyvos toliau nurodyta tvarka.

i SVARBU

Naudokite tik grandinėms ir grandinių tepalinėms skirtą juostos ir grandinės tepimo alyvą.

i PASTABA

Įrenginys iš gamyklos išsiunčiamas be juostos ir grandinės tepimo alyvos.

1. Atsukite alyvos bakelio dangtelį.
2. Įpilkite į alyvos bakelį alyvos.
3. Pildami alyvą stebėkite alyvos indikatorius, kad į bakelį nepatektų jokių teršalų.
4. Uždėkite alyvos bakelio dangtelį.
5. Dangtelį priveržkite.
6. Iki viršaus užpildyto alyvos bakelio pakanka 15–40 darbo minučių.

i SVARBU

Nenaudokite nešvarios, panaudotos ar užterštos alyvos. Galite sugadinti juostą ar grandinę.

3.3 KREIPIAMOSIOS JUOSTOS IR GRANDINĖS MONTAVIMAS

Paveikslas 10-14.

1. Išimkite iš įrenginio akumuliatorių.
2. Raktu atsukite grandinės gaubto varžlės

3. Nuimkite grandinės gaubtą.
4. Grandinės pavaros grandis įstatykite į juostos griovelį.
5. Grandinės pjoviklius nustatykite grandinės sukimosi kryptimi.
6. Įstatykite į vietą grandinę taip, kad jos kilpa būtų už kreipiamosios juostos.
7. Laikykite grandinę ir juostą.
8. Uždėkite grandinės kilpą ant žvaigždutės.
9. Grandinės įtempimo varžtas turi įsistatyti į atitinkamą angą grandinės kreipiamojoje juostoje.
10. Uždėkite grandinės gaubtą.
11. Įtempkite grandinę. Skaitykite skyriuje *Sureguliuokite grandinės įtempimą*.
12. Tinkamai įtempę grandinę, priveržkite grandinės gaubto varžles.

Į PASTABA

Uždėję naują grandinę, paleiskite grandininį pjūklą 2–3 minutėms, kad išbandytumėte grandinę. Po to vėl patikrinkite įtempimą ir grandinę įtempkite, jei reikia.

3.4 PETIES DIRŽO NAUDOJIMAS

Paveikslas 4.

1. Karabiną užkabinkite už ant koto esančio pernešimui skirto žiedo.
2. Užsidėkite peties diržą.
3. Sureguliuokite peties diržo ilgį, kad karabinas būtų per delno plotį žemiau dešiniojo klubo.

3.5 AUKŠTAPJOVĖS ILGIO REGULIAVIMAS

3. paveikslas

1. Atlaisvinkite movą sukdamį prieš laikrodžio rodyklę.
2. Patraukite ilginamąjį kotą aukštin arba žemyn, kad sureguliuotumėte aukštapjovės ilgį.
3. Priveržkite movą.

3.6 AUKŠTAPJOVĖS GALVUTĖS KAMPO REGULIAVIMAS

Aukštapjovės galvutę galima nustatyti į dvi padėtis – 0° arba 90° – ir aukštapjovė gali pjauti vertikaliai arba horizontaliai.

6. paveikslas

1. Veržliarakčiu atlaisvinkite abu aukštapjovės galvutės varžtus.
2. Pasukite aukštapjovės galvutę 90° kampu taip, kad varžtai atitiktų angas ant koto.
3. Priveržkite varžtus.

3.7 PASIRUOŠIMAS PJOVIMUI

Paveikslas 4.

Prieš pradėdami pjovimą užtikrinkite, kad

- Dėvite tvirtas pirštines, užtikrinančias didžiausią sukibimą ir apsaugą.
- Tinkamai laikote prietaisą viso naudojimo metu.
 - Dešine ranka laikykite galinę rankeną, o kaire ranka laikykite kotą.
 - Kūnas turi likti kairėje grandinės linijos pusėje.
 - Galinės rankenos niekada nelaikykite kaire ranka (sukryžiuavę rankas) ar nenaudokite tokios pozos, kai kūnas arba ranka yra skersai grandinės linijos.
- Niekada nestovėkite po pjaunama šaka.
- Darbo metu periodiškai tikrinkite žiedų priveržimą.

3.8 AKUMULATORIAUS ĮSTATYMAS

Paveikslas 5.

▲ ĮSPĖJIMAS

- Jei sugadintas akumulatorius arba įkroviklis, pakeiskite akumuliatorių arba įkroviklį.
- Prieš įstatydami arba išimdami akumuliatorių, sustabdykite įrenginį ir palaukite, kol sustos variklis.
- Perskaitykite, supraskite ir vadovaukitės akumulatoriaus ir įkroviklio vadovo instrukcijomis.

1. Sulyginkite akumulatoriaus briauneles su akumulatoriaus skyriaus grioveliais.
2. Įstatykite akumuliatorių į akumuliatorių skyrių iki galo, iki jis užsifiksuos.
3. Kai išgirsite spragtelėjimą, tai reikš, kad akumulatorius įsistatė.

3.9 AKUMULATORIAUS IŠĖMIMAS

5. pav.

1. Nuspauskite ir laikykite akumulatoriaus atkabimo mygtuką.
2. Išimkite akumuliatorių iš prietaiso.

4 DARBAS

Į PASTABA

Prieš perkeldami įrenginį išimkite iš jo sudėtinę bateriją ir nelaikykite rankų prie blokavimo mygtuko.

Į SVARBU

Kiekvieną kartą prieš naudodami patikrinkite grandinės įtempimą.

4.1 GRANDINĖS TEPIMO TIKRINIMAS

į PASTABA

Nenaudokite įrenginio, jei jis tinkamai netepamas.

Paveikslas 2.

1. Alyvos lygį tikrinkite stebėdami alyvos indikatorių.
2. Jei reikia, įpilkite tepimo alyvos.

4.2 ĮRENGINIO PALEIDIMAS

7. paveikslas

1. Į įrenginį įstatykite sudėtinę bateriją.
2. Paspauskite apsauginį blokuotės išjungimo mygtuką.
3. Patraukite mažąjį apsauginį blokuotės išjungimo jungiklį aukštyn.
4. Paspauskite pagrindinį jungiklį.

4.3 ĮRENGINIO SUSTABDYMAS

Paveikslas 7.

1. Atleiskite jungiklį, kad įrenginys sustotų.

4.4 MEDŽIO GENĖJIMAS

Paveikslas 8.

▲ ĮSPĖJIMAS

Įsitikinkite, kad vietoje, kurioje turi nukristi šakos, nieko nėra.

- Stovėkite priešingoje pjaunamos šakos pusėje.
- Pradėkite pjauti aukščiau esančias šakas.
- Tuomet pjaukite žemiau esančias šakas.
- Pjaukite iš viršaus į apačią, kad išvengtumėte pjovimo juostos užstrigimo.

4.5 MEDŽIO ŠAKŲ GENĖJIMAS

Šakos nupjaustomos nuo nuleisto medžio.

Paveikslas 9.

1. Palikite didesnes šakas žemės pusėje, kad medžio kamieną išlaikytų pakilusių nuo žemės.
2. Mažesnes šakas nupjaukite vienu pjūviu.
3. Įtemptas šakas pjaukite nuo apačios į viršų.
4. Palikite didesnes apatines šakas kaip atramą, kol nuo kamieno nupjausite visas šakas.

5 TECHNINĖ PRIEŽIŪRA

▲ PERSPĖJIMAS

Venkite stabdžių skysčio, benzino, naftos pagrindu pagamintų medžiagų patekimo ant plastikinių dalių. Chemikalai gali pažeisti plastikines dalis arba plastikas gali tapti netinkamu naudojimui.

▲ PERSPĖJIMAS

Nenaudokite aktyvių tirpiklių arba ploviklių plastikiniams korpusui arba komponentams.

▲ ĮSPĖJIMAS

Prieš atlikdami techninę priežiūrą, išimkite akumuliatorių iš prietaiso.

5.1 GRANDINĖS ĮTEPIMO REGULIAVIMAS

10.13.14 paveikslas

▲ PERSPĖJIMAS

Grandinę, juostą ar vietas šalia grandinės lieskite tik užšimovę apsaugines pirštines.

1. Atlaisvinkite grandinės gaubtą, pasukdami gaubto fiksavimo veržlę prieš laikrodžio rodyklę.

į PASTABA

Norint sureguliuoti grandinės įtempimą, nebūtina nuimti grandinės gaubto.

2. Jei grandinės įtempimą norite padidinti, grandinės reguliavimo varžtą sukite pagal laikrodžio rodyklę.
3. Jei grandinės įtempimą norite sumažinti, grandinės reguliavimo varžtą sukite prieš laikrodžio rodyklę.
4. Tinkamai įtempę grandinę, priveržkite grandinės gaubtą.

5.2 PJOVIKLIŲ GALANDIMAS

Pjoviklius reikia galąsti tuomet, kai grandinė sunkiai įsipjauna į medį.

į PASTABA

Rekomenduojame, kad galandimo darbus atliktų techninės priežiūros centras, turintis elektrinį galąstuvą.

Paveikslas 15-18..

1. Grandinės įtempimas.
2. Pagaląskite pjoviklių kampus 4 mm (5/32 colio) skersmens apvalia dilde.
3. Pagaląskite viršutinę plokštelę, šoninę plokštelę ir gylio matuoklį plokščia dilde.
4. Visus pjoviklius pagaląskite išlaikydami vienodą nustatytą kampą ir ilgį.

i PASTABA

Proceso metu:

- Dildę laikykite priglaustą prie galandamo paviršiaus.
- Galąskite dildės vidurine dalimi.
- Galąsdami paviršių spauskite nestipriai, tačiau tvirtai.
- Grįžtamajame judesyje dildę atkelkite.
- Visus pjoviklius pagaląskite vienoje pusėje, o po to – kitoje pusėje.

Pakeiskite grandinę, jei:

- Pjovimo briaunų ilgis sumažėja tiek, kad nesiekia 5 mm.
- Tarp pavaros grandžių ir kniedžių atsiranda per didelis tarpas.
- Pjūklas pjauna lėtai.
- Grandinė galandama daug kartų, tačiau pjovimo greitis nedidėja. Grandinė sudilusi.

5.3 KREIPIAMOSIOS JUOSTOS TECHNINĖ PRIEŽIŪRA

Paveikslas 19-20.

i PASTABA

Kreipiamąją juostą reikia periodiškai apversti, kad ji vienodai dilūtų.

1. Švirkštų (nėra komplekte) suteptkite galinės žvaigždutės (jei yra) guolius.
2. Grandymo kabliuku (nėra komplekte) išvalykite juostos griovelį.
3. Išvalykite tepimo angas.
4. Nuo pjoviklių briaunų pašalinkite atplaišas ir išlyginkite juos plokščia dilde.

Pakeiskite juostą, jei:

- Griovelis neatitinka pavaros grandžių aukščio (grandys niekada neturi liesti apačios).
- Kreipiamosios juostos vidus išdilęs ir grandinė vienoje pusėje neįtempta.

6 GABENIMAS IR SANDĖLIAVIMAS

Prieš perkeldami įrenginį visuomet:

- Išimkite iš įrenginio sudėtinę bateriją.
- Nelaikykite rankų prie blokavimo mygtuko.
- Ant kreipiamosios juostos ir grandinės uždėkite apsauginį gaubtą.

Prieš padėdami įrenginį į sandėlį visuomet:

- Iš prietaiso pašalinkite visus alyvos likučius.
- Išimkite iš įrenginio sudėtinę bateriją.
- Nuvalykite nuo įrenginio visus nešvarumus.
- Laikymo vieta turi būti:

- Neprieinama vaikams.
- Be koroziją sukeliančių medžiagų, pavyzdžiui, sodo chemikalų ar ledo tirpinimo druskų.

7 TRIKČIŲ ŠALINIMAS

Problema	Galima priežastis	Sprendimas
Įrenginys nepasileidžia.	Tinkamai nesujungti kotai.	Kotus sumontuokite, kaip nurodyta instrukcijoje.
	Blokuotės išjungimo mygtukas ir jungiklis nepaspaudžiami vienu metu.	<ol style="list-style-type: none"> 1. Paspauskite ir laikykite nuspaudę blokuotės išjungimo mygtuką. 2. Laikydami blokuotės išjungimo mygtuką nuspauskite jungiklį. 3. Atleiskite blokuotės išjungimo mygtuką, kad paleistumėte įrenginį.
Juosta ir grandinė įkaista ir rūksta dūmai.	Tuščias alyvos baltelis.	Užpildykite alyvos bakelį.
	Užsikimšusi išmetimo anga.	<ol style="list-style-type: none"> 1. Atjunkite sudėtinę bateriją. 2. Nuvalykite išmetimo angą.
	Užsikimšusi vidinio alyvos bakelio įsiurbimo anga.	<ol style="list-style-type: none"> 1. Išvalykite alyvos bakelį. 2. Įpilkite švarios juostai ir grandinei skirtos alyvos.
	Žvaigždutė užstrigo ir padengta purvu.	<ol style="list-style-type: none"> 1. Išvalykite žvaigždutę. 2. Įpilkite švarios juostai ir grandinei skirtos alyvos.

Problema	Galima priežastis	Sprendimas
Juosta ir grandinė per daug įkaista ir negali pjauti.	Grandinė yra per daug įtempta arba atsipalaidavusi.	Žr. vadove pateikiamas grandinės įtempimo reguliavimo instrukcijas.
	Grandinė atšipusi.	Grandinę pagalaskite arba pakeiskite.
	Grandinė uždėta atvirksčiai.	Nuimkite grandinę ir apsukite ją reikiama kryptimi.
Variklis dirba, tačiau grandinė tinkamai nepjauna, arba variklis po maždaug 3 sekundžių išsijungia.	Apkrovos veikimas įrenginys sustoja.	1. Atleiskite jungiklį. 2. Paleiskite įrenginį dar kartą.
	Grandinė nesutepa.	Sutepkite grandinę, kad sumažėtų trintis.

Pavardė: GLOBGRO AB
Globe Group Europe

Adresas: Riggaregatan 53, 211 13 Malmö, Švedija

Pavardė ir adresas įgalioto asmens, įgalioto parengti techninę dokumentaciją:

Pavardė: Micael Johansson
Adresas: Riggaregatan 53, 211 13 Malmö, Švedija

Šiuo pareiškime, kad gaminys

Kategorija: Pjūklas su kotu
Modelis: 82PST39(PSB402)
Serijos Nr.: Žr. gaminio techninių duomenų etiketę
Pagaminimo metai: Žr. gaminio techninių duomenų etiketę

- atitinka susijusias Mašinų direktyvos 2006/42/EB nuostatas.
- atitinka toliau nurodytų EB direktyvų nuostatas:
 - 2014/30/ES
 - 2000/14/EB ir 2005/88/EB
 - 2011/65/ES ir (ES) 2015/863

Be to, patvirtiname, kad buvo vadovaujama šių Europos darnųjų standartų dalimis ir sąlygomis:

- EN 60745-1, EN ISO 11680-1, EN 55014-1, EN 55014-2, EN ISO 3744, ISO 11094, IEC 62321-3-1, IEC 62321-4, IEC 62321-5, IEC 62321-6, IEC 62321-7-1, IEC 62321-7-2, IEC 62321-8

Išmatuotas garso galios lygis: L_{WA} : 95,7 dB(A)

Garantuotas garso galios lygis: $L_{WA,d}$: 99 dB(A)

Atitikties įvertinimo metodas pagal 2000/14/EB direktyvos V priedą.

EB tipo tikrinimo sertifikato numeris: išdavė SGS Fimko Ltd (0598), Takomotie 8, FI-00380 Helsinki, Finland.

Vieta, data: Malmö, 11.11.2021
Parašas: Ted Qu, Kokybės direktorius

Ted Qu

8 TECHNINIAI DUOMENYS

Įtampa	82 V DC
Variklio sūkių skaičius be apkrovos	20.5 m/s
Kreipiamosios juostos ilgis	250 mm
Grandinės tepimo alyvos bakelio talpa	150 ml
Svoris (be sudėtinės baterijos)	5.35 kg
Išmatuotas garso slėgio lygis	L_{pA} = 83 dB(A), K_{pA} = 3 dB(A)
Garantuotas garso galios lygis	$L_{WA,d}$ = 99 dB(A)
Vibracija	$< 2.5 \text{ m/s}^2$, $K = 1,5 \text{ m/s}^2$
Grandinė	25AP058X
Kreipiamoji juosta	100SDAA041(509877)
Baterijos modelis	82V180, 82V290P, 82V360, 82V580P ir kiti BAB modeliai
Įkroviklio modelis	82C6 ir kiti CAB modeliai
IPX	IPX4

9 EB ATITIKTIES DEKLARACIJA

Gamintojo pavadinimas ir adresas:

1	Apraksts.....	162	4	Ekspluatācija.....	163
1.1	Paredzētais lietojums.....	162	4.1	Pārbaudiet, vai ķēde nav jāieeļlo.....	164
1.2	Pārskats.....	162	4.2	Iekārtas ieslēgšana.....	164
2	Vispārējie elektroinstrumenta drošības brīdinājumi.....	162	4.3	Zāģa apturēšana.....	164
3	Uzstādīšana.....	162	4.4	Zaru zāģēšana.....	164
3.1	Iekārtas izpakošana.....	162	4.5	Koku atzarošana.....	164
3.2	Pievienojiet slīdei un ķēdei smērvielu.....	162	5	Apkope.....	164
3.3	Slīdes un ķēdes montāža.....	162	5.1	Ķēdes spriegojuma regulēšana.....	164
3.4	PLECU SIKSNAS LIETOŠANA.....	163	5.2	Zobu asināšana.....	164
3.5	Zaru zāģa garuma noregulēšana.....	163	5.3	Slīdes apkope.....	165
3.6	Zaru zāģa galvas leņķa noregulēšana.....	163	6	Transportēšana un uzglabāšana..	165
3.7	Sagatavošanās zāģēšanai.....	163	7	Problēmu novēršana.....	165
3.8	Ievietojiet akumulatoru bloku.....	163	8	Tehniskie dati.....	166
3.9	Akumulatora bloka izņemšana.....	163	9	ES Atbilstības deklarācija.....	166

1 APRAKSTS

1.1 PAREDZĒTAIS LIETOJUMS

Produktam uz kāta ir uzstādīts griešanas aprīkojums, lai operators varētu nozāģēt augstos koka zarus, taču tas nav paredzēts kokmateriālu zāģēšanai, ko veic ar parasto ķēdes zāģi.

Ierīce nav paredzēta lietošanai personām (tostarp bērniem) ar ierobežotu izpratni vai pieredzes un zināšanu trūkumu, ja vien tās neuzrauga vai nav apmācījuši lietot šo ierīci par viņu drošību atbildīgā persona.

Uzraugiet bērnus, lai tie nespēlotos ar ierīci.

1.2 PĀRSKATS

Attēls 1-20.

- | | |
|------------------------------------|--|
| 1. Bloķēšanas poga | 13. Eļļas tvertnes vāciņš |
| 2. Mazā bloķēšanas poga | 14. Eļļas līmeņa indikators |
| 3. Ieslēgšanas slēdzis | 15. Slīdes rieva |
| 4. Palīgrokturis | 16. Griezējs |
| 5. Zaru zāģa rokturis | 17. Ķēdes piedziņas posmi |
| 6. Pārnesēšanai paredzēts gredzens | 18. Ķēdesrats |
| 7. Skrūvējams vāciņš | 19. Ķēdes spriegošanas tapas atvere |
| 8. Kāta pagarinājums | 20. Ķēdes rata aizsargvāka kontruzgrieznis |
| 9. Zaru zāģa galva | 21. Ķēdes spriegojuma noregulēšanas skrūve |
| 10. Ķēdes pārsegs | |
| 11. Vadotnes slīde | |
| 12. Zāģa ķēde | |

2 VISPĀRĒJIE ELEKTROINSTRUMENTA DROŠĪBAS BRĪDINĀJUMI

▲ BRĪDINĀJUMS

Izlasiet visus ar šo elektroinstrumentu saistītos drošības brīdinājumus, norādījumus, specifikācijas un aplūkojiet attēlus. Visu turpmāk uzskaitīto dījumu neievērošana var izraisīt elektriskās strāvas triecienu, aizdegšanos un/vai nopietnas traumas.

Saglabājiet visus brīdinājumus un norādījumus, lai tos arī turpmāk varētu lietot.

Brīdinājumos lietotais termins „elektroinstruments” attiecas uz elektriski darbināmu instrumentu, kura barošanu nodrošina elektrotilks (ar elektrokabeli) vai AKUMULATORS (bez elektrokabeļa).

3 UZSTĀDĪŠANA

3.1 IEKĀRTAS IZPAKOŠANA

▲ BRĪDINĀJUMS

Pirms sākat lietot iekārtu, pārliecinieties, vai tā ir pareizi salikta.

▲ BRĪDINĀJUMS

- Neizmantojiet iekārtu, ja tās daļas ir bojātas.
- Nedarbiniet iekārtu, ja trūkst kādas daļas.
- Ja trūkst kādas daļas vai tās ir bojātas, sazinieties ar servisa centru.

1. Atveriet iepakojumu.
2. Izlasiet komplektācijas kārbā iekļauto dokumentāciju.
3. Izņemiet no komplektācijas kārbas visas nesamontētās daļas.
4. Izņemiet no komplektācijas kārbas iekārtu.
5. Atbrīvojieties no kārbas un iepakojuma atbilstoši vietējiem noteikumiem.

3.2 PIEVIENOJIET SLIEDEI UN ĶĒDEI SMĒRVIELU

Pārbaudiet zāģim eļļas līmeni. Ja eļļas līmenis ir zems, pievienojiet slīdes un ķēdes smērvielu turpmāk norādītājā veidā.

i SVARĪGI

Izmantojiet slīdes un ķēdes smērvielu, kas paredzēta tikai ķēdes eļļošanai un eļļotājiem.

i PIEZĪME

Zāģis no rūpnīcas tiek piegādāts bez slīdes un ķēdes smērvielām.

1. Atskrūvējiet un noņemiet eļļas tvertnes vāciņu.
2. Ielejiet eļļas tvertnē eļļu.
3. Aplūkojiet eļļas indikatoru, lai pārliecinātos, vai eļļas tvertnē netrūkst eļļas.
4. Uzlieciet eļļas tvertnei vāciņu.
5. Pieskrūvējiet eļļas tvertnes vāciņu.
6. Ar pilnībā uzpildītu eļļas tvertni var strādāt 15 - 40 minūtes.

i SVARĪGI

Nelietojiet netīru, lietotu vai piesārņotu eļļu. Tas var sabojāt slīdi vai ķēdi.

3.3 SLIEDES UN ĶĒDES MONTĀŽA

Attēls Nr. 10-14.

1. Izņemiet no darbmašīnas akumulatoru bloku.

2. Atskrūvējiet ar uzgriežņu atslēgu ķēdes pārsega uzgriežņus.
3. Noņemiet ķēdes pārsegu.
4. Ievietojiet ķēdes piedziņas posmus sliedes gropē.
5. Uzlieciet ķēdes zobus ķēdes kustības virzienā.
6. Uzlieciet ķēdi tā, lai cilpa atrastos aiz sliedes.
7. Satveriet ķēdi un sliedi.
8. Uzlieciet ķēdes cilpu apkārt ķēdesratam.
9. Ķēdes spriegošanas tapas atverei uz sliedes ir jāsakrīt ar bultskrūvi.
10. Uzlieciet ķēdei pārsegu.
11. Pievelciet ķēdi. Izlasiet informāciju sadaļā *Noregulējiet ķēdei spriegojumu*.
12. Kad ķēde ir pietiekami labi nospriegota, pievelciet uzgriežņus.

i PIEZĪME

Ja ķēdes zāģim ir uzlikta jauna ķēde, tad, pirms sākat zāģēt, veltiet 2-3 minūtes, lai to iemēģinātu. Pēc tam vēlreiz pārbaudiet spriegojumu un, ja nepieciešams, pievelciet ķēdi.

3.4 PLECU SIKSNAS LIETOŠANA

Attēls Nr. 4.

1. Piestipriniet karabīni pie kāta pārnēsāšanas gredzena.
2. Uzvelciet plecu siksnu.
3. Noregulējiet siksnas garumu tā, lai karabīne atrastos apmēram plaukstas augstumā zem labā gurna.

3.5 ZARU ZĀĢA GARUMA NOREGULĒŠANA

Attēls 3.

1. Atskrūvējiet manšeti, pagriežot pretēji pulksteņrādītāja kustības virzienam.
2. Lai noregulētu zaru zāģa garumu, pavelciet kāta pagarinājumu uz augšu vai atpakaļ.
3. Pieskrūvējiet manšeti.

3.6 ZARU ZĀĢA GALVAS LENĶA NOREGULĒŠANA

Zaru zāģa galvu var noregulēt divos leņķos: 0 vai 90°, ar zaru zāģi var griezt gan vertikāli, gan arī horizontāli.

Attēls 6.

1. Atskrūvējiet abas zaru zāģa galvas skrūves ar uzgriežņu atslēgu.
2. Pagrieziet zaru zāģa galvu 90° leņķī tā, lai skrūves iekļautos uz kāta esošajos skrūvju caurumiņos.
3. Pieskrūvējiet skrūves.

3.7 SAGATAVOŠANĀS ZĀĢĒŠANAI

Attēls Nr. 4.

Pirms sākat zāģēt, noteikti:

- uzvelciet izturīga materiāla darba cimdus, lai varētu pēc iespējas labāk satvert griezējinstrumenta rokturus, kā arī aizsargātu plaukstas.
- Zāģēšanas laikā turiet griezējinstrumentu pareizi.
 - Stingri satveriet aizmugurējo rokturi ar labo roku, bet kāta vārpstu — ar kreiso roku.
 - Stāviet ķēdes līnijas kreisajā pusē.
 - Nekad neturiet griezējinstrumenta aizmugurējo rokturi ar kreiso roku, un neieņemiet stāju tā, lai jūsu ķermenis vai rokas atrastos virs ķēdes līnijas.
 - Nekad nestāviet tieši zem zara, kuru zāģējat.
 - Zāģēšanas laikā periodiski pārbaudiet, cik stingri ir pievilktas manšetes.

3.8 IEVIETOJIET AKUMULATORU BLOKU

Attēls Nr. 5.

▲ BRĪDINĀJUMS

- Ja akumulatoru bloks vai lādētājs ir bojāts, tie ir jānomaina.
- Pirms akumulatoru bloka ievietošanas vai izņemšana darbmāšīna ir jāaptur un jāuzgaida, kamēr apstājas motors.
- Izlasiet, noskaidrojiet un izpildiet akumulatora un lādētāja rokasgrāmatā esošos norādījumus.

1. Salāgojiet akumulatoru bloka pacelšanas ribas ar rievām akumulatora nodalījumā.
2. Spiediet akumulatoru bloku uz iekšu akumulatora nodalījumā, līdz akumulatoru bloks nofiksējas vajadzīgajā stāvoklī.
3. Akumulators būs pilnībā ievietots tad, kad būs dzirdama klikšķa skaņa.

3.9 AKUMULATORA BLOKA IZŅEMŠANA

5. attēls

1. Nospiediet un pieturiet akumulatora atbrīvošanas pogu.
2. Izņemiet no iekārtas akumulatora bloku.

4 EKSPLUATĀCIJA

i PIEZĪME

Ja zāģis ir jāpārnes uz citu vietu, izņemiet no tā akumulatoru un pārvietošanas laikā neturiet rokas bloķēšanas pogas tuvumā.

i SVARĪGI

Pārbaudiet ķēdei spriegojumu pirms katras lietošanas reizes.

4.1 PĀRBAUDIET, VAI ĶĒDE NAV JĀIEEĻĻO

i PIEZĪME

Nelietojiet zāģi, ja ķēde nav pietiekami labi ieeļļota.

Attēls Nr. 2.

1. Pārbaudiet smērēļļas līmeni, aplūkojot eļļas indikatoru.
2. Ja nepieciešams, pievienojiet vēl smērvielu.

4.2 IEKĀRTAS IESLĒGŠANA

Attēls 7.

1. Izņemiet no darbmašīnas akumulatoru bloku.
2. Nospiediet drošības bloķēšanas pogu.
3. Pavelciet uz augšu mazo drošības bloķēšanas pogu.
4. Nospiediet slēdzi.

4.3 ZĀĢA APTURĒŠANA

Attēls Nr. 7.

1. Lai apturētu zāģi, atlaidiet ieslēgšanas slēdzi.

4.4 ZARU ZĀĢĒŠANA

Attēls Nr. 8.

▲ BRĪDINĀJUMS

Pārlicinieties, vai nekas neatrodas zonā, kurā kritis zari.

- Stāviet zāģējamā zara pretējā pusē.
- Sāciet zāģēt augstākos zarus.
- Pēc tam nozāģējiet apakšējos zarus.
- Lai neiestrēgtu sliede, zāģējiet virzienā uz leju.

4.5 KOKU ATZAROŠANA

Nogāztu koku atzarošana līdzinās sazāģēšanai.

Attēls Nr. 9.

1. Atstājiet lielos zarus uz zāģēšanas beigām, lai balķis zāģēšanas laikā nepieskartos zemei.
2. Nozāģējiet mazos zarus ar vienu piegājieni.
3. Zāģējiet zarus virzienā no apakšas uz augšu.
4. Pašus pēdējos atstājiet lielos zarus, uz kuriem atbalstās svars.

5 APKOPE

▲ PIESARDZĪBU

Bremžu šķidrums, benzīns, naftas bāzes materiāli nedrīkst nonākt saskarē ar plastmasas daļām. Ķīmikālijas var izraisīt plastmasas bojājumus un padarīt plastmasu par lietošanai nederīgu.

▲ PIESARDZĪBU

Nelietojiet plastmasas korpusa vai detaļu tīrīšanai spēcīgus šķīdinātājus vai mazgāšanas līdzekļus.

▲ BRĪDINĀJUMS

Pirms apkopes veikšanas no iekārtas ir jāizņem akumulatora bloks.

5.1 ĶĒDES SPRIEĢOJUMA REGULĒŠANA

Attēls 10.13.14

▲ PIESARDZĪBU

Pieskaroties ķēdei, slidei vai zonai ap ķēdi, lietojiet aizsargcimdus.

1. Atskrūvējiet ķēdes pārsegu, pagriežot ķēdes pārsega kontruzgriezni pretēji pulksteņrādītāja kustības virzienam.

i PIEZĪME

Ķēdes pārsegs nav jānoņem, lai noregulētu ķēdes spriegojumu.

2. Lai palielinātu ķēdes spriegojumu, pagrieziet ķēdes regulēšanas skrūvi pulksteņrādītāja kustības virzienā.
3. Lai samazinātu ķēdes spriegojumu, pagrieziet ķēdes regulēšanas skrūvi pretēji pulksteņrādītāja kustības virzienam.
4. Kad ķēde ir pietiekami labi nospriegota, pievelciet ķēdes pārsegu.

5.2 ZOBU ASINĀŠANA

Ja ķēdes iezāģēšana kokmateriālā prasa piepūli, uzasiniet zobus.

i PIEZĪME

Iesakām nogādāt uz servisa centru, kurā ir elektriskā asināmā ierīce, lai veiktu svarīgos asināšanas darbus.

Attēls Nr. 15-18.

1. Ķēdes spriegošana.
2. Asiniet zobu stūrus ar 5/32 collu (4 mm) liela diametra apaļo vīli.
3. Augšējās plāksnes, sānu plāksnes un dziļuma ierobežotāja asināšanai izmantojiet plakano vīli.

4. Novilējiet visus zobus līdz noteiktam leņķim un vienādā garumā.

i PIEZĪME

Procesa laikā:

- Turiet vīli horizontāli pret vīlējamo virsmu.
- Vīlējiet ar vīles stieņa vidusdaļu.
- Vīlējot virsmu, izdariet stipru spiedienu uz tās.
- Katrā atpakaļgājienā vīle ir jānoņem.
- Vispirms novilējiet zobus no vienas puses un pēc tam no otras puses.

Nomainiet ķēdi, ja:

- Griezējmalu garums kļuvis īsāks par 5 mm.
- Starp piedziņas posmiem un kniedēm radusies pārāk liela atstarpe.
- Griešanas ātrums ir lēns
- Ķēde jau vairākkārt ir uzasināta, bet griešanas ātrums nav palielinājies. Ķēde ir nodilusi.

5.3 SLIEDES APKOPE

Attēls Nr. 19-20.

i PIEZĪME

Lai sliede nodiltu simetriski, tā ik pēc brīža ir jāapgriež otrādi.

1. Eļļojiet ķēdesrata uzgaļa gultņus (ja tāds ir) ar šļirci (komplektācijā nav iekļauta).
2. Notīriet sliedes rievu ar skrāpīti (komplektācijā nav iekļauts).
3. Izfīriet eļļošanas atveres.
4. Noņemiet no malām atskarpī un novilējiet zobus ar plakano vīli.

Nomainiet sliedi, ja:

- Rieva vairs neatbilst piedziņas posmu augstumam (kas nekad nedrīkst saskarties ar apakšējo daļu).
- Sliedes iekšpuse ir nodilusi, kas liek ķēdei liekties uz vieniem sāniem.

6 TRANSPORTĒŠANA UN UZGLABĀŠANA

Pirms pārvietojat zāģi — vienmēr:

- Izņemiet no zāģa akumulatoru bloku.
- Nekad neturiet rokas bloķēšanas pogas tuvumā.
- Uzlieciet sliedei un ķēdei aizsargapvalku.

Pirms novietojat zāģi uzglabāšanā — vienmēr:

- Notīriet no iekārtas visu eļļas atlikumu.
- Izņemiet no zāģa akumulatoru bloku.
- Izfīriet no zāģa visus svešķermeņus.
- Pārliedieties, vai uzglabāšanas vieta:

- Nav pieejama bērniem.
- Neatrodas tuvu vielām, kas var izraisīt koroziju, piemēram, dārza ķīmiskās vielas un atledošanas sāļi.

7 PROBLĒMU NOVĒRŠANA

Problēma	Iespējamais cēloņs	Risinājums
Griezējinstrumentu nevar iedarbināt.	Nav pareizi uzstādīti kāti.	Savienojiet kātus atbilstoši instrukcijām.
	Bloķēšanas poga un slēdzis nav vienlaicīgi nospiesti.	<ol style="list-style-type: none"> 1. Nospiediet un pieturiet bloķēšanas pogu. 2. Pavelciet slēdzi, pieturot nospiektu bloķēšanas pogu. 3. Lai iedarbinātu griezējinstrumentu, atlaidiet bloķēšanas pogu.
Sliede un ķēde sakarst un izdala dūmus.	Tukša eļļas tvertne.	Uzpildiet tvertnē eļļu.
	Nosprostota izvades atvere.	<ol style="list-style-type: none"> 1. Izņemiet akumulatoru bloku. 2. Izfīriet netīrumus no izvades atveres.
	Nosprostota iekšējās eļļas tvertnes ieplūdes atvere.	<ol style="list-style-type: none"> 1. Izfīriet eļļas tvertni. 2. Iepildiet tīru sliedes un ķēdes smērvielu.
	Nosprostots, ar gruziem aizsērējis piedziņas rats.	<ol style="list-style-type: none"> 1. Izfīriet piedziņas ratu. 2. Iepildiet tīru sliedes un ķēdes smērvielu.
Sliede un ķēde pārāk stipri sakarst un negriež.	Pārāk stingrs vai pārāk vājš ķēdes sprigojums.	Rokasgrāmatā skatiet sadaļu „Ķēdes sprigojuma regulēšana”.
	Ķēde nav pietiekami asa	Uzasiniet vai nomainiet ķēdi.
	Ķēde uzstādīta pretējā virzienā.	Izņemiet ķēdi un pagrieziet virzienā pa labi.

Problēma	Iespējamais cēlonis	Risinājums
Motors darbojas, bet ķēde negriež pareizi, vai motors apstājas apmēram pēc 3 sekundēm.	Pieliekot slodzi griezējinstrumentam, tas apstājas.	1. Atlaidiet slēdzi. 2. Vēlreiz ieslēdziet iekārtu.
	Ķēde nav ieeļļota.	Ieeļļojiet ķēdi, lai samazinātu berzi.

8 TEHNISKIE DATI

Spriegums	82 V DC
Ātrums bez noslodzes	20.5 m/s
Slīdes garums	250 mm
Ķēdes eļļas tilpums	150 ml
Svars (bez akumulatoru bloka)	5.35 kg
Izmērītais skaņas spiediena līmenis	$L_{pA} = 83$ dB(A), $K_{pA} = 3$ dB(A)
Garantētais skaņas intensitātes līmenis	$L_{WA,d} = 99$ dB(A)
Vibrācija	< 2.5 m/s ² , $K = 1.5$ m/s ²
Ķēde	25AP058X
Slīde	100SDAA041(509877)
Akumulatora modelis	82V180, 82V290P, 82V360, 82V580P un citas BAB sērijas
Lādētāja modelis	82C6 un citas CAB sērijas
IPX	IPX4

9 ES ATBILSTĪBAS DEKLARĀCIJA

Ražotāja nosaukums un adrese:

Nosaukums: GLOBGRO AB
Globe Group Europe
Adrese: Riggaregatan 53, 211 13 Malmö, Zviedrija

Personas, kura pilnvarota sastādīt tehnisko dokumentāciju, vārds, uzvārds un adrese:

Vārds un uzvārds: Micael Johansson
Adrese: Riggaregatan 53, 211 13 Malmö, Zviedrija

Ar šo mēs apliecinām, ka izstrādājums

Kategorija: Zaru zāģis
Modelis: 82PST39(PSB402)
Sērijas numurs: Skatīt izstrādājuma kvalitātes marķējumu
Iekārtas izlaides gads: Skatīt izstrādājuma kvalitātes marķējumu

- atbilst Direktīvas Nr. 2006/42/EK par mašīnām attiecīgajiem noteikumiem.
- atbilst sekojošu EK direktīvu noteikumiem:

- 2014/30/ES
- 2000/14/EK un 2005/88/EK
- 2011/65/ES un (ES) 2015/863

Turklāt mēs apliecinām, ka ir izmantoti šādi Eiropas saskaņotie standarti (daļas/klauzulas):

- EN 60745-1, EN ISO 11680-1, EN 55014-1, EN 55014-2, EN ISO 3744, ISO 11094, IEC 62321-3-1, IEC 62321-4, IEC 62321-5, IEC 62321-6, IEC 62321-7-1, IEC 62321-7-2, IEC 62321-8

Izmērītais skaņas intensitātes līmenis: $L_{WA} = 95.7$ dB(A)

Garantētais skaņas intensitātes līmenis: $L_{WA,d} = 99$ dB(A)

Direktīvas Nr. 2000/14/EK V pielikumā paredzētā atbilstības novērtējuma metode.

EK tipa pārbaudes sertifikāta numurs: izsniedza: SGS Fimko Ltd (0598), Takomotie 8, FI-00380 Helsinki, Finland.

Vieta, datums: Malmö, 11.11.2021 Paraksts: Kvalitātes daļas direktors Ted Qu

Ted Qu

1 Kirjeldus.....	168	4 Kasutamine.....	169
1.1 Eesmärk.....	168	4.1 Kontrollige keti määrimise olekut.....	169
1.2 Ülevaade.....	168	4.2 Käivitage seade.....	169
2 Elektrilise tööriista üldised ohutushoiatused.....	168	4.3 Peatage seade.....	170
3 Paigaldus.....	168	4.4 Puu laasimine.....	170
3.1 Seadme lahtipakkimine.....	168	4.5 Puu laasimine.....	170
3.2 Lisage juhtplaadi ja keti määrdeainet.....	168	5 Hooldus.....	170
3.3 Pange juhtplaat ja kett kokku.....	168	5.1 Reguleerige keti pingutust.....	170
3.4 Rakmete kasutamine.....	169	5.2 Lõikelülilide teritamine.....	170
3.5 Reguleerige teleskoopsae pikkust.....	169	5.3 Juhtplaadi hooldus.....	170
3.6 Reguleerige teleskoopsae pea kaldenurka.....	169	6 Transport ja hoiustamine.....	171
3.7 Lõikamise ettevalmistus.....	169	7 Veotsing.....	171
3.8 Paigaldage akuplokk.....	169	8 Tehnilised andmed.....	171
3.9 Akuploki eemaldamine.....	169	9 EÜ Vastavusdeklaratsioon.....	172

1 KIRJELDUS

1.1 EESMÄRK

Varre kinnitatud lõiketarvikuga toode, mis võimaldab lõigata kasvavate puude oksid, kuid mis ei ole mõeldud puuid lõikamiseks nii, nagu tavaline kettsaag.

Seadet ei tohi kasutada vähenenud teadlikkusega või väheste kogemustega ja teadmistega isikud (sh. lapsed), välja arvatud juhul, kui nende turvalisuse eest vastutav isik on taganud piisava järelevalve ja juhendamise vastava seadme kasutamise kohta.

Lastele tuleb õpetada, et nad ei tohi seadmega mängida.

1.2 ÜLEVAADE

Joonis 1-20.

1 Lukustusnupp	13 Õlipaagi kork
2 Väike lukustusnupp	14 Õlitase näidik
3 Päästik	15 Juhtlati soon
4 Lisakäepide	16 Lõikur
5 Teleskoopsae käepide	17 Keti tööülilid
6 Kanderõngas	18 Ketiratas
7 Kruvitav kork	19 Keti pingutamise tihvti ava
8 Pikendusvars	20 Keti katte lukustusmutter
9 Teleskoopsae pea	21 Keti pingutamise kruvi
10 Keti kate	
11 Juhtlatt	
12 Saekett	

2 ELEKTRILISE TÖÖRIISTA ÜLDISED OHUTUSHOIATUSED

▲ HOIATUS

Lugege läbi kõik elektritööriistaga kaasas olevad hoiatused, juhised, joonised ja andmed. Alltoodud juhiste eiramine võib põhjustada elektrilööki, tulekahju ja/või tõsisid vigastusi.

Säilitage hoiatused ja juhised hilisemaks kasutuseks.

Hoiatuses kasutatud termin "elektritööriist" viitab voolu jõul (juhtmega) töötavale elektrilisele tööriistale või aku jõul töötavale (juhtmata) elektrilisele tööriistale.

3 PAIGALDUS

3.1 SEADME LAHTIPAKKIMINE

▲ HOIATUS

Enne kasutamist pange seade korrektselt kokku.

▲ HOIATUS

- Ärge kasutage seadet, kui seadme osad on kahjustunud.
- Ärge kasutage seadet, kui mõned osad on puudu.
- Kui osad on kahjustunud või puudu, võtke ühendust teenindusega.

1. Avage pakend.
2. Lugege kastis leiduvaid dokumente.
3. Võtke kõik osad kastist välja.
4. Võtke seade kastist välja.
5. Visake kast ja pakend ära vastavalt kohalikele eeskirjadele.

3.2 LISÄGE JUHTPLAADI JA KETI MÄÄRDEAINET

Kontrollige seadmes oleva õli taset. Kui õlitase on madal, lisage juhtplaadi ja keti määrdeainet järgmiselt.

i OLULINE

Kasutage plaadi- ja ketimääreret, mis on ette nähtud ainult kettidele ja ketiõlitajatele.

i MÄRKUS

Seade tuleb tehastest juhtplaadi ja keti määrdeaineta.

1. Vabastage ja eemaldage õlipaagi kork.
2. Pange õli õlipaaki.
3. Jälgige õlitase näidikut, veendumaks, et õli lisamise ajal ei ole õlipaagis mustust.
4. Pange õlipaagi kork tagasi.
5. Keerake õlipaagi kork kinni.
6. Täiesti täis õlipaagi mahust piisab 15-40 minutiks töötamiseks.

i OLULINE

Ärge kasutage mustusesisaldusega, kasutatud või muul viisil saastunud õlisid. Need võivad juhtplaadi või ketti kahjustada.

3.3 PANGE JUHTPLAAT JA KETT KOKKU

Joonis 10-14.

1. Ühendage seadme akuplokk lahti.
2. Eemaldage keti kate mutrid mutrivõtme abil.
3. Eemaldage keti kate.
4. Pange keti tööülilid juhtplaadi soonde.
5. Paigaldage keti lõikelülid keti töötamise suunas.
6. Paigaldage kett ja veenduge, et aas jääb juhtplaadi taha.
7. Hoidke kettist ja juhtplaadist kinni.

8. Pange keti aas ümber ketiratta.
9. Veenduge, et keti pingutamise tihvti ava juhtplaadil sobitub korrektselt poldiga.
10. Paigaldage keti kate.
11. Pingutage ketti. Lugege *Reguleerige keti pingutust*.
12. Kui keti pingutus on sobiv, keerake mutrid kinni.

i MÄRKUS

Kettsae käivitamisel uue ketiga katsetage seda 2-3 minuti jooksul. Seejärel kontrollige uuesti keti pingutust ja vajadusel pingutage ketti.

3.4 RAKMETE KASUTAMINE

Joonis 4.

1. Kinnitage karabiin varre küljes oleva kanderõnga külge.
2. Rakmete pealepanek
3. Reguleerige rihma pikkust nii, et karabiin jääks umbes käelaba laiuse võrra teie paremast puusast allapoole.

3.5 REGULEERIGE TELESKOOPSAE PIKKUST

Joonis 3.

1. Vabastage muhv, keerates seda vastupäeva.
2. Tõmmake pikendusvart üles- või allapoole ning reguleerige teleskoopsae pikkus sobivaks.
3. Keerake kinnitusosa kinni.

3.6 REGULEERIGE TELESKOOPSAE PEA KALDENURKA

Teleskoopsae peal on kaks kaldenurga võimalust: 0° või 90°, st. et teleskoopsaega saab lõigata vertikaalselt või horisontaalselt.

Joonis 6.

1. Laske teleskoopsae pea kaks kruvi mutrivõtme abil lõdvemaks.
2. Keerake teleskoopsae pead 90°, kuni kruvid sobituvad varres olevatesse kruviaukudesse.
3. Keerake kruvid kinni.

3.7 LÕIKAMISE ETTEVALMISTUS

Joonis 4.

Enne lõikamise alustamist veenduge järgnevas.

- Maksimaalse haarduvuse ja kaitse tagamiseks kandke tugevaid kindaid.
- Hoidke seadmest sellega töötamise ajal korralikult kinni.
 - Haarake parema käega tagumisest käepidemest ja vasaku
 - Hoidke oma keha keti joonest vasakule.

- Ärge kunagi haarake vasaku käega (riskähaare) ega kasutage kehahoidu, mis
- Ärge kunagi seiske otse selle oksa all, mida te saete.
- Seadmega töötamise ajal kontrollige muhvide pingutust regulaarselt.

3.8 PAIGALDAGE AKUPLOKK

Joonis 5.

▲ HOIATUS

- Kui akuplokk või laadija on kahjustatud, vahetage akuplokk või laadija välja.
- Enne akuploki paigaldamist või eemaldamist peatage seade ja oodake, kuni mootor seiskub.
- Lugege, teadke ja järgige aku ja laadija kasutusjuhendis esitatud juhiseid.

1. Joondage akuploki sakid akupesade soontega.
2. Lükake akuplokk akupesasse nii kaugele, et akuplokk lukustub oma kohale.
3. Akuplokk on paigas, kui kuulete klõpsatust.

3.9 AKUPLOKI EEMALDAMINE

Joonis 5.

1. Vajutage ja hoidke aku vabastamise nuppu all.
2. Ühendage seadme akuplokk lahti.

4 KASUTAMINE

i MÄRKUS

Seadme transportimisel eemaldage alati akuplokk ja hoidke käed lukustusnupust eemal.

i OLULINE

Enne iga kasutuskorda kontrollige keti pingutust.

4.1 KONTROLLIGE KETI MÄÄRIMISE OLEKUT.

i MÄRKUS

Ärge kasutage seadet, kui kett ei ole piisavalt määritud.

Joonis 2.

1. Kontrollige määrdeaine taset õlitase näidikult.
2. Vajadusel lisage veel määrdeainet.

4.2 KÄIVITAGE SEADE

Joonis 7.

1. Paigaldage seadme akuplokk.
2. Vajutage ohutusnuppu.
3. Tõmmake väikest ohutusnuppu ülespoole.

4. Vajutage päästikut.

4.3 PEATAGE SEADE.

Joonis 7.

1. Toote peatamiseks vabastage päästik.

4.4 PUU LAASIMINE

Joonis 8.

▲ HOIATUS

Jälgige, et okste kukkumise alal ei ole midagi ega kedagi.

- Seiske lõigatava oksa vastas.
- Alustage lõikamist ülemistest okstest.
- Seejärel lõigake alumisi oksa.
- Juhtplaadi kinnikiilumise vältimiseks lõigake suunaga allapoole.

4.5 PUU LAASIMINE

Laasimine on okste eemaldamine langetatud puult.

Joonis 9.

1. Jätke alles suuremad alumised oksad, mis hoiavad palki maapinnast kõrgemal.
2. Eemaldage väiksemad oksad ühe lõikega.
3. Pinge all olevaid oksa laasige alt üles.
4. Jätke alles suuremad alumised oksad, mis hoiavad palki kuni laasimise lõpetamiseni.

5 HOOLDUS

▲ ETTEVAATUST

Vältige pidurivedelike, bensiini ja naftapõhiste materjalide kokkupuudet seadme plastikosadega. Kemikaalid võivad plastikut kahjustada ja selle kasutuskõlbmatuks muuta.

▲ ETTEVAATUST

Ärge kasutage plastmasskorpuse või -komponentide puhastamiseks tugevatoimelisi lahusteid või puhastusaineid.

▲ HOIATUS

Enne hooldustoiminguid eemaldage akuplokk seadme küljest.

5.1 REGULEERIGE KETI PINGUTUST

Joonis 10.13.14

▲ ETTEVAATUST

Keti, juhtplaadi või keti ümbruses asuvate alade puudutamisel kandke kaitsekindaid.

1. Vabastage keti kate, keerates keti katte lukustusnutrit vastupäeva.

i MÄRKUS

Keti pingutuse reguleerimiseks ei pea keti katet eemaldama.

2. Keti pingutamiseks keerake keti pingutamise kruvi päripäeva.
3. Keti lõvendamiseks keerake keti pingutamise kruvi vastupäeva.
4. Kui keti pingutus on sobiv, keerake keti kate kinni.

5.2 LÕIKELÜLIDE TERITAMINE

Kui kett ei lähe kergelt puidu sisse, siis on vaja lõikelülisid teritada.

i MÄRKUS

Soovitame pöörduda teenindusse, kus on elektriline teritaja ja kus teostatakse olulist teritustööd.

Joonis 15-18..

1. Keti pingutamine.
2. Teritage lõikelülide nurki 5/32 tollise (4 mm) läbimõõduga ümarviiliga.
3. Teritage ülemist plaati, külgmist plaati ja sügavusmõõdikut lapiku viiliga.
4. Viilige kõik lõikelülid vastavalt määratud nurgale ja sama pikkusega.

i MÄRKUS

Protsessi käigus

- hoidke viili terititava pinna suhtes paralleelselt.
- Kasutage viili keskmist osa.
- Pinna teritamisel rakendage kergelt, kuid kindlat survet.
- Tõstke viil igaal tagasilükkumisel pinnalt üles.
- Teritage lõikelülisid ühelt poolt ja seejärel teiselt poolt.

Vahetage kett välja, kui:

- Lõikeservade pikkus on vähem kui 5 mm.
- Tööülilide ja neetide vahe on liiga suur.
- Lõikekiirus on madal.
- Ketti on mitmeid kordi teritatud, aga see ei suurenda lõikekiirust. Kett on kulunud.

5.3 JUHTPLAADI HOOLDUS

Joonis 19-20.

i MÄRKUS

Juhtplaadi ühtlase kulumise tagamiseks pöörake seda regulaarselt ümber.

1. Määrige ketiratta (kui see on olemas) laagreid süstlaga (ei ole kompleksis).

- Puhastage juhtplaadi soont konksuga kaabitsaga (ei ole kompleksis).
- Puhastage määrdeavasid.
- Eemaldage servadelt pakh ja tasandage lõikelülid lapiku viiliga.

Vahetage juhtplaat välja, kui:

- soon ei sobitu tööülilide kõrgusega (mis ei tohi kunagi põhja puudutada);
- juhtplaadi sisemus on kulunud ja suunab ketti ühele poole kaldu.

6 TRANSPORT JA HOIUSTAMINE

Enne seadme transportimist:

- Ühendage seadme akuplokk lahti.
- Hoidke käed lukustusnupust eemal.
- Pange juhtplaadile ja ketile terakaitse.

Enne seadme hoiustamist tehke alati järgmist:

- Puhastage seadmelt kogu jääkõli.
- Ühendage seadme akuplokk lahti.
- Puhastage seadmelt mistahes võõrmaterjal.
- Veenduge, et hoiukoht:
 - Ei ole lastele kättesaadav.
 - Asub eemal korrosiooni põhjustada võivatest ainetest, näiteks aiakemikaalid ja jää eemaldamise soolad.

7 VEAOTSING

Probleem	Võimalik põhjus	Lahendus
Seade ei käivitu.	Varred ei ole õigesti kokku pandud.	Pange varred kokku vastavalt juhistele.
	Lukustusnuppu ja päästikut ei vajutatud korraga.	<ol style="list-style-type: none"> Vajutage ja hoidke lukustusnuppu all Lukustusnuppu all hoides tõmmake päästikut. Seadme käivitamiseks vabastage lukustusnupp.

Probleem	Võimalik põhjus	Lahendus
Juhtplaat ja kett muutuvad kuumaks ja hakkavad suitsema.	Õlipaak on tühi.	Täitke õlipaak.
	Väljalaskeava on blokeeritud.	<ol style="list-style-type: none"> Eemaldage akuplokk. Eemaldage mustus väljalaskevast.
	Sisemise õlipaagi sisselaskeava on blokeeritud.	<ol style="list-style-type: none"> Puhastage õlipaaki. Täitke puhta, juhtplaadile ja ketile mõeldud määrdeainega.
	Ketiratas on kinni kiilunud ja praht on selle ummistanud.	<ol style="list-style-type: none"> Puhastage ketiratast. Täitke puhta, juhtplaadile ja ketile mõeldud määrdeainega.
Juhtplaat ja kett muutuvad liiga kuumaks ja ei löika.	Kett on liiga pingul või liiga lõtv.	Lugege käesoleva kasutusjuhendi peatükki „Keti pingutuse reguleerimine“.
	Kett on nürri	Teritage ketti või vahetage see välja.
	Kett on tagurpidi peale pandud.	Eemaldage kett ja pöörake see õiges suunda.
Mootor töötab, aga kett ei löika õigesti või mootor peatub umbes 3 sekundi töötamise järel.	Seade peatub, kui seda kasutatakse liiga suure koormuse juures.	<ol style="list-style-type: none"> Vabastage päästik. Käivitage seade uuesti.
	Kett on määrimata.	Hõõrdumise vähendamiseks määrige ketti.

8 TEHNILISED ANDMED

Pinge	82 V DC
Koormuseta kiirus	20.5 m/s
Juhtplaadi pikkus	250 mm
Keti õli kogus	150 ml
Kaal (ilma akuplokita)	5.35 kg
Mõõdetud helirõhu tase	$L_{pA} = 83$ dB(A), $K_{pA} = 3$ dB(A)

Garanteeritud helivõimsuse tase	$L_{WA,d} = 99 \text{ dB(A)}$
Vibratsioonitase	$< 2.5 \text{ m/s}^2$, $K = 1,5 \text{ m/s}^2$
Kett	25AP058X
Juhtplaat	100SDAA041(509877)
Aku mudel	82V180, 82V290P, 82V360, 82V580P ja teised BAB seeriad
Laadija mudel	82C6 ja teised CAB seeriad
IPX	IPX4

Vastavuse hindamise meetod vastavalt direktiivi 2000/14/EÜ lisale V.

EÜ tüübikinnituse sertifikaadi number: välja andnud SGS Fimko Ltd (0598), Takomatie 8, FI-00380 Helsinki, Finland.

Koht, kuupäev: Mal- Allkiri: Ted Qu, kvaliteedijuht
mõ, 11.11.2021

Ted Qu

9 EÜ VASTAVUSDEKLARATSIOON

Tootja nimi ja aadress:

Nimi: GLOBGRO AB
Globe Group Europe
Aadress: Riggaregatan 53, 211 13 Malmö, Rootsi

Tehnilise toimiku koostamise volitustega isiku nimi ja aadress:

Nimi: Micael Johansson
Aadress: Riggaregatan 53, 211 13 Malmö, Rootsi

Käesolevaga kinnitame, et toode

Liik: Teleskoopsaag
Mudel: 82PST39(PSB402)
Seerianumber: Vt. toote andmesilti
Tootmise aasta: Vt. toote andmesilti

- vastab asjakohase Masinadirektiivi 2006/42/EÜ nõuetele.
- vastab teiste järgnevate EÜ direktiivide nõuetele:
 - 2014/30/EL
 - 2000/14/EÜ ja 2005/88/EÜ
 - 2011/65/EL ja (EL) 2015/863

Lisaks kinnitame, et on kasutatud järgnevaid Euroopa harmoneeritud standardeid (või nende osi/punkte):

- EN 60745-1, EN ISO 11680-1, EN 55014-1, EN 55014-2, EN ISO 3744, ISO 11094, IEC 62321-3-1, IEC 62321-4, IEC 62321-5, IEC 62321-6, IEC 62321-7-1, IEC 62321-7-2, IEC 62321-8

Mõõdetud helivõimsuse tase: L_{WA} : 95.7 dB(A)

Garanteeritud helivõimsuse tase: $L_{WA,d}$: 99 dB(A)

1	Опис.....	174			
1.1	Цел.....	174	3.8	Поставете ја батеријата.....	175
1.2	Преглед.....	174	3.9	Извадете ја батеријата.....	176
2	Општи безбедносни предупредувања за електрични алатки.....	174	4	Работење.....	176
3	Инсталирање.....	174	4.1	Проверете го подмачкувањето на ланецот	176
3.1	Отпакувајте ја машината.....	174	4.2	Вклучување на машината.....	176
3.2	Додадете го средството за подмачкување за водичот за ланец и ланецот.....	174	4.3	Запирање на машината.....	176
3.3	Составете ги водичот за ланец и ланецот..	175	4.4	Отсекување гранки од дрво.....	176
3.4	Користете ја прерамката.....	175	4.5	Исечени гранки од дрво.....	176
3.5	Приспособување на должината на вретенеста пила.....	175	5	Одржување.....	176
3.6	Приспособете го аголот на главата на вретенестата пила.....	175	5.1	Приспособете ја затегнатоста на ланецот.	176
3.7	Подготовка за сечење.....	175	5.2	Наострете ги секачите.....	177
			5.3	Одржување на водичот за ланец.....	177
			6	Превоз и складирање.....	177
			7	Решавање проблеми.....	177
			8	Технички податоци.....	178
			9	Изјава за усогласеност со Европските заедници.....	178

1 ОПИС

1.1 ЦЕЛ

Производот е опремен со додаток за сечење кој е монтиран на шипка за ракувачот да може да сече гранки на исправени дрвја но не и да сече дрвја како со нормална моторна пила.

Овој уред не е наменет за употреба од страна на лица (вклучувајќи и деца) кои недоволно го разбираат или пак немаат доволно искуство и знаења, освен ако не се под надзор или им биле дадени упатства за користењето на уредот од лице кое е одговорно за нивната безбедност.

Децата треба да се надгледуваат за да не си играат со уредот.

1.2 ПРЕГЛЕД

Слика 1-20.

- | | |
|-----------------------------|--|
| 1 Копче за заклучување | 13 Капак на резервоар за масло |
| 2 Мало копче за заклучување | 14 Индикатор за масло |
| 3 Чкрапец | 15 Жлеб за водич |
| 4 Помошна рачка | 16 Секач |
| 5 Рачка со вретенеста пила | 17 Погонски запченик на ланец |
| 6 Алка за носење | 18 Запченик |
| 7 Чеп со навој | 19 Отвор за игла за затегнување на ланецот |
| 8 Вретенест продолжеток | 20 Мутер на поклопката на ланецот |
| 9 Глава со вретенеста пила | 21 Завртка за затегнување на ланец |
| 10 Капак на ланец | |
| 11 Водич за ланец | |
| 12 Ланец за пила | |

2 ОПШТИ БЕЗБЕДНОСНИ ПРЕДУПРЕДУВАЊА ЗА ЕЛЕКТРИЧНИ АЛАТКИ

▲ ПРЕДУПРЕДУВАЊЕ

Прочитајте ги сите безбедносни предупредувања, упатства, илустрации и спецификации дадени со оваа електрична алатка. Ако не се следат сите упатства наведени подолу може да дојде до електричен удар, пожар и/или сериозна повреда.

Зачувајте ги сите предупредувања и упатства за употреба во иднина.

Поимот „електрична алатка“ во предупредувањата се однесува на вашата електрична алатка што работи со напојување од електричната мрежа (со жица) или на

електричната алатка што работи на батерија (без жица).

3 ИНСТАЛИРАЊЕ

3.1 ОТПАКУВАЈТЕ ЈА МАШИНАТА

▲ ПРЕДУПРЕДУВАЊЕ

Погрижете се правилно да ја склопите машината пред употреба.

▲ ПРЕДУПРЕДУВАЊЕ

- Ако некои делови се оштетени, не користете ја машината.
- Ако не ги имате сите делови, не ракувајте со машината.
- Ако има делови што се оштетени или недостасуваат, обратете се во сервисниот центар.

1. Отворете го пакувањето.
2. Прочитајте ја документацијата дадена во кутијата.
3. Извадете ги сите несклопени делови од кутијата.
4. Извадете ја машината од кутијата.
5. Фрлете ги кутијата и материјалот од пакувањето во согласност со локалните прописи.

3.2 ДОДАТЕТЕ ГО СРЕДСТВОТО ЗА ПОДМАЧКУВАЊЕ ЗА ВОДИЧОТ ЗА ЛАНЕЦ И ЛАНЕЦОТ

Проверете колку масло има во машината. Ако нивото на масло е ниско, додадете го средството за подмачкување за водичот за ланец и ланецот на следниов начин.

i ВАЖНО

Користете средство за подмачкување за водичот за ланец и ланецот коешто е наменето само за ланци и масла за подмачкување за ланци.

i БЕЛЕШКА

Машината фабрички доаѓа без средство за подмачкување за водичот за ланец и ланецот.

1. Олабавете го и извадете го капакот од резервоарот за масло.
2. Ставете го маслото во резервоарот за масло.
3. Следете го индикаторот за масло за да се погрижите дека не навлегува нечистотија во резервоарот за масло додека го додавате маслото.
4. Ставете го капачето.
5. Стегнете го капачето.
6. Целосно наполнетиот резервоар ќе трае од 15 до 40 минути.

i ВАЖНО

Не користете валкано, користено или контаминирано масло. Може да дојде до оштетување на водичот за ланец или ланецот.

3.3 СОСТАВЕТЕ ГИ ВОДИЧОТ ЗА ЛАНЕЦ И ЛАНЕЦОТ

Слика 10-14.

1. Извадете ја батеријата од машината.
2. Отстранете ги навртките од капакот на ланецот со клучот.
3. Отстранете го капакот на ланецот.
4. Вметнете го погонскиот запченик на ланецот во жлебот на водичот.
5. Ставете ги секачите на ланецот во насока на работата на ланецот.
6. Ставете го ланецот во положба и проверете дали јамката е зад водичот за ланец.
7. Држете ги ланецот и водичот.
8. Ставете ја јамката на ланецот околу запченикот.
9. Погрижете се дека отворот за игла за затегнување на ланецот на водичот за ланец правилно се вклопува со машинската завртка.
10. Поставете ја поклопката на ланецот.
11. Затегнете го ланецот. Видете во *Приспособување на притисокот на ланецот*.
12. Затегнете ги навртките кога ланецот е добро затегнат.

i БЕЛЕШКА

Ако ја вклучите моторната пила со нов ланец, испробајте ја 2 до 3 минути. Потоа, повторно проверете го притисокот и стегнете го ланецот ако е потребно.

3.4 КОРИСТЕТЕ ЈА ПРЕРАМКАТА

Слика 4.

1. Прикачете ја металната алка (карабинер) на алката за носење на вретеното.
2. Ставете ја прерамката.
3. Приспособете ја должината на прерамката така што карабинерот ќе биде широк приближно колку една дланка под десниот колк.

3.5 ПРИСПОСОБУВАЊЕ НА ДОЛЖИНАТА НА ВРЕТЕНЕСТА ПИЛА

Слика 3.

1. Охлабавете го појасот така што ќе го свртите во насока спротивна од онаа на стрелките на часовникот.

2. Повлечете го вретенестиот продолжеток нагоре или наназад за да ја приспособите должината на вретенестата пила.
3. Стегнете го појасот.

3.6 ПРИСПОСОБЕТЕ ГО АГОЛОТ НА ГЛАВАТА НА ВРЕТЕНЕСТАТА ПИЛА

Главата на вретенестата пила има два агли: 0° или 90°, вретенестата пила може да сече вертикално или хоризонтално.

Слика 6.

1. Охлабавете ги двете завртки на главата на вретенестата пила со клучот.
2. Вртете ја главата на вретенестата пила 90° сè додека завртките не легнат во дупките за завртки на вретенестиот дел.
3. Стегнете ги завртките.

3.7 ПОДГОТОВКА ЗА СЕЧЕЊЕ

Слика 4.

Пред да започнете со сечење, погрижете се за следново

- Носете отпорни ракавици за максимално држење и заштита.
- Добро држете ја машината при работењето.
 - Со десната рака цврсто држете ја задната рачка, а со левата цврсто држете ја вретенестата осовина.
 - Држете го телото на левата страна од ланецот.
 - Никогаш не ги вкрстувајте рацете и не држете го телото така што тоа или раката ќе ви се вкрстува со ланецот.
- Никогаш не стојте директно под гранката што ја сечете.
- Повремено проверувајте ја затегнатоста на појасите при работењето.

3.8 ПОСТАВЕТЕ ЈА БАТЕРИЈАТА

Слика 5.

▲ ПРЕДУПРЕДУВАЊЕ

- Ако батеријата или полначот се оштетени, заменете ги.
- Запрете ја машината и почekaјте додека моторот не застане пред да ја ставите или извадите батеријата.
- Прочитајте ги, разберете ги и следете ги упатствата во прирачникот за батеријата и полначот.

1. Порамнете ги ребренцата на левата страна на батеријата со владнагините на делот за батерија.
2. Притиснете ја батеријата во делот за батерија додека батеријата не се постави цврсто на соодветното место.
3. Кога ќе чуete клик, батеријата е поставена.

3.9 ИЗВАДЕТЕ ЈА БАТЕРИЈАТА

Слика 5.

1. Притиснете и задржете на копчето за вадење на батеријата.
2. Извадете ја батеријата од машината.

4 РАБОТЕЊЕ

i БЕЛЕШКА

Извадете ја батеријата и држете ги рацете подалеку од копчето за заклучување кога ја преместувате машината.

i ВАЖНО

Проверувајте го притисокот на ланецот пред секоја употреба.

4.1 ПРОВЕРЕТЕ ГО ПОДМАЧКУВАЊЕТО НА ЛАНЕЦОТ

i БЕЛЕШКА

Не користете ја машината без доволно средство за подмачкување на ланецот.

Слика 2.

1. Проверете го нивото на средството за подмачкување на машината од индикаторот за масло.
2. Додадете повеќе средство за подмачкување ако е потребно.

4.2 ВКЛУЧУВАЊЕ НА МАШИНАТА

Слика 7.

1. Поставете ја батеријата во машината.
2. Притиснете го безбедносното копче за заклучување.
3. Повлечете го малото безбедносно копче за заклучување нагоре.
4. Притиснете го чкрапецот.

4.3 ЗАПИРАЊЕ НА МАШИНАТА

Слика 7.

1. Отпуштете го чкрапецот за да ја запрете машината.

4.4 ОТСЕКУВАЊЕ ГРАНКИ ОД ДРВО

Слика 8.

▲ ПРЕДУПРЕДУВАЊЕ

Погрижете се да нема ништо и никого на местото каде што паѓаат гранките.

- Стојте на спротивната страна од гранката што ќе ја сечете.
- Започнете со сечење на повисоките гранки.
- Потоа сечете ги пониските гранки.
- Сечете надолу за лентата да не се заглави.

4.5 ИСЕЧЕНИ ГРАНКИ ОД ДРВО

Сечење на гранки е отстранувањето на гранките од паднато дрво.

Слика 9.

1. Чувајте ги поголемите долни гранки за да го држите трупецот од земја.
2. Отстранете ги малите гранки со едно сечење.
3. Исечете ги гранките со затегнување од дното нагоре.
4. Чувајте ги поголемите долни гранки како потпора додека не го исечете трупецот.

5 ОДРЖУВАЊЕ

▲ ВНИМАНИЕ

Не дозволувајте до пластичните делови да дојдат течности за кочници, бензин и материјали на база на нафта. Хемикалиите може да ја оштетат пластиката и истата да не може да се сервисира.

▲ ВНИМАНИЕ

Не користете силни растворувачи или детергенти на пластичното куќиште и на деловите.

▲ ПРЕДУПРЕДУВАЊЕ

Извадете ја батеријата од машината пред одржување.

5.1 ПРИСПОСОБЕТА ЈА ЗАТЕГНАТОСТА НА ЛАНЕЦОТ

Слика 10.13.14

▲ ВНИМАНИЕ

Носете заштитни ракавици ако го допирате ланецот, водичот или областите околу ланецот.

1. Оглабавете ја поклопката на ланецот така што ќе ја вртите наврската на поклопката на ланецот во насока спротивна од онаа на стрелките на часовникот.

i БЕЛЕШКА

Не е неопходно да се отстрани поклопката на ланецот за да се приспособи притисокот на ланецот.

2. Вртете ја наврската за приспособување на ланецот во насока на стрелките на часовникот за да ја зголемите затегнатоста на ланецот.

3. Вртете ја завртката за приспособување на ланецот во насока спротивна на онаа на стрелките на часовникот за да ја намалите затегнатоста на ланецот.
4. Кога притисокот на ланецот е соодветен, стегнете ја поклопката на ланецот.

5.2 НАОСТРЕТЕ ГИ СЕКАЧИТЕ

Наострете ги секачите ако ланецот не може лесно да навлезе во дрвото.

i БЕЛЕШКА

Препорачуваме вашиот продавач, којшто има електрична острилка, да го изврши важниот процес на острење.

Слика 15-18.

1. Затегнување на ланецот.
2. Наострете го аголот на секачите со тркалезна турпија со дијаметар од 4,5 mm.
3. Наострете ја горната плоча, страничната плоча и мерачот на длабочина со рамна турпија.
4. Наострете ги сите секачи до наведените агли и со иста должина.

i БЕЛЕШКА

За време на процесот,

- Држете ја турпијата рамно со површината што треба да ја наострите.
- Користете ја средната точка на лентата на турпијата.
- Користете лесен, но цврст притисок при острење на површината.
- Подигнете ја турпијата подалеку при секој повратен удар.
- Наострете ги секачите од едната страна, а потоа преминете на другата страна.

Заменете го ланецот ако:

- Должината на рабовите за сечење е помала од 5 mm.
- Има премногу простор помеѓу погонските запчаници и клинците.
- Брзината на сечење е бавна
- Многубројно острење на ланецот, но не се зголемува брзината на сечење. Ланецот е избан.

5.3 ОДРЖУВАЊЕ НА ВОДИЧОТ ЗА ЛАНЕЦ

Слика 19-20.

i БЕЛЕШКА

Погрижејте се дека периодично се превртува за да имате симетрично абеење на водичот.

1. Подмачкајте ги лежиштата на запчаникот за нос (доколку ги има) со шприцот (не е вклучен).

2. Исчистете го жлебот на водичот со куката за стружење (не е вклучена).
3. Исчистете ги отворите за подмачкување.
4. Отстранете ги непорамнетите делови од рабовите и израмнете ги секачите со рамна турпија.

Заменете го водичот ако:

- жлебот не одговара на висината на погонските запчаници (коишто никогаш не смеат да го допрат дното).
- внатрешноста на водичот за ланец е избана и предизвикува навалување на ланецот на едната страна.

6 ПРЕВОЗ И СКЛАДИРАЊЕ

Пред да ја преместувате машината, секогаш

- Извадете ја батеријата од машината.
- Држете ги рацете подалеку од копчето за заклучување.
- Ставете ја канијата на лентата за насочување и на ланецот.

Пред да ја складираате машината, секогаш

- Извадете го целото преостанато масло од машината.
- Извадете ја батеријата од машината.
- Исчистете го сиот несакан материјал од машината.
- Погрижете се местото за складирање да не биде
 - достапно за деца.
 - во близина на средства коишто можат да предизвикаат корозија, како што се градинарските хемикалии и солите за одмрзнување.

7 РЕШАВАЊЕ ПРОБЛЕМИ

Проблем	Можна причина	Решение
Машината не се вклучува.	Шипките не се правилно склопени.	Склопете ги шипките според упатствата.
	Копчето за заклучување и чкрапецот не се притиснати истовремено.	<ol style="list-style-type: none"> 1. Притиснете и задржете на копчето за заклучување 2. Додека го држите копчето за заклучување, повлечете го чкрапецот. 3. Отпуштете го копчето за заклучување за да ја вклучите машината.

Проблем	Можна причина	Решение
Лентата и ланецот се вжештуваат и чадат.	Резервоарот за нафта е празен.	Наполнете го резервоарот за нафта.
	Портата за празнење е блокирана.	1. Извадете ја батеријата. 2. Отстранете ги нечистотиите од портата за празнење.
	Отворот за внес на внатрешниот резервоар за нафта е блокиран.	1. Исчистете го резервоарот за масло. 2. Наполнете со чист подмачкувач за лента и ланец.
	Запченикот е заглавен и загатан со остатоци.	1. Исчистете го запченикот. 2. Наполнете со чист подмачкувач за лента и ланец.
Лентата и ланецот се вжештуваат и не можат да сечат.	Ланецот е или премногу или недоволно затегнат.	Видете „Прилагодување на притисокот на ланецот“ во прирачникот.
	Ланецот е тап	Наострете го или заменете го ланецот.
	Ланецот е ставен наопаку.	Извадете го ланецот и свртете го во правилната насока.
Моторот работи, но ланецот не сече правилно или моторот запира по околу 3 секунди.	Кога ја користите машината под товар, запира.	1. Отпуштете го чкрапецот. 2. Повторно вклучете ја машината.
	Ланецот не е подмачкан.	Подмачкајте го ланецот за да го намалите триењето.

8 ТЕХНИЧКИ ПОДАТОЦИ

Напон	82 V DC
Брзина без оптоварување	20.5 m/s

Должина на водич за ланец	250 mm
Капацитет на масло за ланец	150 ml
Тежина (без батерија)	5.35 kg
Измерено ниво на притисокот на звук	$L_{pA} = 83 \text{ dB(A)}$, $K_{pA} = 3 \text{ dB(A)}$
Гарантирано ниво на јачина на звукот	$L_{wA,d} = 99 \text{ dB(A)}$
Вибрации	$< 2.5 \text{ m/s}^2$, $K = 1,5 \text{ m/s}^2$
Ланец	25AP058X
Водич за ланец	100SDAA041(509877)
Модел на батерија	82V180, 82V290P, 82V360, 82V580P и други серии BAV
Модел на полнач	82C6 и други серии CAB
IPX	IPX4

9 ИЗЈАВА ЗА УСОГЛАСЕНОСТ СО ЕВРОПСКИТЕ ЗАЕДНИЦИ

Име и адреса на производителот:

Име: GLOBGRO AB
Globe Group Europe

Адреса: Riggaregatan 53, 211 13 Malmö, Sweden

Име и адреса на лицето овластено за составување на техничкото досие:

Име: Micael Johansson

Адреса: Riggaregatan 53, 211 13 Malmö, Sweden

Со ова изјавуваме дека производителот

Категорија: Вретенеста пила
Модел: 82PST39(PSB402)
Сериски број: Видете ја ознаката за енергетска ефикасност на производот
Година на склопување: Видете ја ознаката за енергетска ефикасност на производот

- е во согласност со соодветните одредби на Директивата за безбедност на машините 2006/42/EЗ.
- е во согласност со одредбите од следните други Директиви на ЕЗ:

- 2014/30/EУ
- 2000/14/EЗ & 2005/88/EЗ
- 2011/65/EУ & 2015/863/EУ

Изјавуваме и дека се користени следниве (делови/
клаузули од) европски усогласени стандарди:

- EN 60745-1, EN ISO 11680-1, EN 55014-1, EN 55014-2,
EN ISO 3744, ISO 11094, IEC 62321-3-1, IEC 62321-4,
IEC 62321-5, IEC 62321-6, IEC 62321-7-1, IEC
62321-7-2, IEC 62321-8

Измерено ниво на L_{WA} : 95.7 dB(A)
моќност на звук:

Гарантирано ниво на $L_{WA,d}$: 99 dB(A)
моќност на звукот:

Метод за оцена на сообразност со Анекс V Директива бр.
2000/14/EЗ.

Број на сертификат за испитување од тип на ЕК: издаден
од SGS Fimko Ltd (0598), Takomotie 8, FI-00380 Helsinki,
Finland.

Место, датум: Mal- Потпис: Тед Кју, Директор за
mö, 11.11.2021 квалитет

Ted Qu

1	Опис.....	181	4	Рад.....	182
1.1	Сврха.....	181	4.1	Испитивање подмазивања ланца.....	183
1.2	Преглед.....	181	4.2	Покретање машине.....	183
2	Општа безбедносна упозорења за електрични алат.....	181	4.3	Зауставите машину.....	183
3	Инсталација.....	181	4.4	Кресање дрвета.....	183
3.1	Распакивање машине.....	181	4.5	Кресање грана.....	183
3.2	Додајте мазиво мача и ланца.....	181	5	Одржавање.....	183
3.3	Постављање мача и ланца.....	181	5.1	Подешавање затегнутости ланца.....	183
3.4	Употреба траке за раме.....	182	5.2	Оштрење ножева.....	183
3.5	Подешавање дужине телескопске тестере.....	182	5.3	Одржавање мача.....	184
3.6	Подешавање угла главе телескопске тестере.....	182	6	Транспорт и складиштење.....	184
3.7	Припрема за сечење.....	182	7	Отклањање проблема.....	184
3.8	Постављање батеријског паковања.....	182	8	Технички подаци.....	185
3.9	Уклањање батеријског паковања.....	182	9	ЕЗ Декларација о усклађености.....	185

1 ОПИС

1.1 СВРХА

Производ опремљен додатком за сечење постављен на шипку како би омогућио оператеру да сече гране стојећег дрвећа али који није намењен за сечење дрвета као нормална моторна тестера.

Овај уређај није намињен за употребу особама (укључујући децу) са смањеним физичким, осјетним и менталним способностима, или с недостатком искуства и знања, осим ако имају надзор или упутства одговорне особе за њихову сигурност у вези с кориштења уређаја.

Децу треба надzirати како би се спречило да се играју са апаратом.

1.2 ПРЕГЛЕД

Слика 1-20.

- | | |
|-----------------------------|---|
| 1 Дугме за деблокаду | 13 Поклопац резервоара за уље |
| 2 Мало дугме за деблокаду | 14 Уљни индикатор |
| 3 Okidač | 15 Жлеб на мачу |
| 4 Помоћна ручица | 16 Секач |
| 5 Дршка телескопске тестере | 17 Погоנסке карике ланца |
| 6 Карика за ношење | 18 Ланчаник |
| 7 Навојна капица | 19 Отвор за затезање ланца |
| 8 Телескопска шипка | 20 Сигурносна навртка облоге ланца |
| 9 Глава телескопске тестере | 21 Завртањ за подешавање затегнутости ланца |
| 10 Облога ланца | |
| 11 Водилица | |
| 12 Ланац тестере | |

2 ОПШТА БЕЗБЕДНОСНА УПОЗОРЕЊА ЗА ЕЛЕКТРИЧНИ АЛАТ

▲ УПОЗОРЕЊЕ

Pročitajte sva sigurnosna upozorenja, uputstva, ilustracije i specifikacije isporučene sa ovim električnim alatom. Ignorisanje uputstava доле може резултирати струјним ударом, пожаром и/или озбиљном повредом.

Чувајте сва упозорења и упутства за будуће потребе.

Израз "електрични уређај" у упозорењима се односи на уређај који је каблом прикључен на електричну мрежу или бежични уређај који ради на акумулаторске батерије.

3 ИНСТАЛАЦИЈА

3.1 РАСПАКИВАЊЕ МАШИНЕ

▲ УПОЗОРЕЊЕ

Пре употребе проверите да ли сте правилно склопили машину.

▲ УПОЗОРЕЊЕ

- Ако су делови оштећени, немојте је користити.
- Ако немате све делове, немојте вршити рад машином.
- Ако су делови оштећени или недостају, контактирајте сервисни центар.

1. Отворите паковање.
2. Прочитајте документацију дату у кутији.
3. Извадите све делове који нису склопљени из кутије.
4. Извадите машину из кутије.
5. Одложите кутију и материјал паковања у складу са локалним прописима.

3.2 ДОДАЈТЕ МАЗИВО МАЧА И ЛАНЦА

Испитајте количину уља у машини. Ако је ниво уља низак, додајте мазиво мача и ланца на следећи начин.

i ВАЖНО

Користите мазиво мача и ланца које се користи искључиво за ланце и подмазиваче ланца.

i БЕЛЕШКА

Машина фабрички долази без мазива за мач и ланац.

1. Отпустите и уклоните чеп са посуде за уље.
2. Ставите уље у посуду за уље.
3. Контролишите индикатор уља како бисте осигурали да прљавштина не уђе у посуду за уље док га додајете.
4. Ставите уљни чеп.
5. Затегните уљни чеп.
6. Потпуно пуна посуда за уље ће трајати 15 - 40 минута рада.

i ВАЖНО

Немојте користити запрљано, коришћено или контаминирано уље. Може доћи до оштећења мача или ланца.

3.3 ПОСТАВЉАЊЕ МАЧА И ЛАНЦА

Слика 10-14.

1. Уклоните батеријско паковање из машине.
2. Кључем уклоните навртке облоге ланца.

- Уклоните поклопац ланца.
- Ставите погонске спојеве ланца у жлеб мача.
- Поставите ножеве ланца у смеру рада ланца.
- Поставите ланац на место и уверите се да је петља иза мача.
- Придржавајте ланац и мач.
- Ставите претљу ланца око ланчаника.
- Водите рачуна да отвор за затезање ланца на мачу добро пристаје уз завртњак.
- Инсталирајте поклопац ланца.
- Затегните ланац. Погледајте *Подешавање затегнутости ланца*.
- Стегните навртке када је ланац добро затегнут.

i БЕЛЕШКА

Ако покренете моторну тестеру са новим ланцем, испробајте је 2-3 минута. Након тога, поново испитајте затегнутост и дотегните ланац ако је потребно.

3.4 УПОТРЕБА ТРАКЕ ЗА РАМЕ

Слика 4.

- Поставите карабинер на карику за ношење на шипци.
- Ставите траку за раме.
- Подесите дужину траке тако да се карабинер налази за ширину шаке испод десног кука.

3.5 ПОДЕШАВАЊЕ ДУЖИНЕ ТЕЛЕСКОПСКЕ ТЕСТЕРЕ

Слика 3.

- Отпустите ремен окретањем супротно од казаљке.
- Повуците телескопску шипку према горе или назад како бисте подесили дужину телескопске тестере.
- Затегните ремен.

3.6 ПОДЕШАВАЊЕ УГЛА ГЛАВЕ ТЕЛЕСКОПСКЕ ТЕСТЕРЕ

Глава телескопске тестере има два угла: 0° или 90°, телескопска тестера може резати вертикално или хоризонтално.

Слика 6.

- Кључем одвртните два завртња на глави телескопске тестере.
- Окрените главу телескопске тестере за 90° све док завртњи не налегну у отворе за завртње на шипци.
- Затегните завртње.

3.7 ПРИПРЕМА ЗА СЕЧЕЊЕ

Слика 4.

Пре него што почнете са сечењем, осигурајте да

- Носите јаке рукавице за максималну чврстину хвата и заштиту.
- Задржите исправан хват машине током рада.
 - Користите десну руку да ухватите задњу ручку док лева рука захвата вратило.
 - Тело дежите на левој страни у односу на линију ланца.
 - Никада не користите леворуку (супротан) хват или било какав став који вам поставља тело или руку преко линије ланца.
- Никада немојте стајати директно испод гране коју сечете.
- Повремено проверите затегнутост ремена током рада.

3.8 ПОСТАВЉАЊЕ БАТЕРИЈСКОГ ПАКОВАЊА

Слика 5.

▲ УПОЗОРЕЊЕ

- Ако су батеријско паковање или пуњач оштећени, замените их.
- Искључите машину и сачекајте док се мотор не заустави пре него што поставите или уклоните батеријско паковање.
- Прочитајте, схватите и поштујте упутства у приручнику за батерију и пуњач.

- Поравнајте ребра на батеријском паковању са жљобовима у одељку батерије.
- Гурните батеријско паковање у одељак батерије све док се батеријско паковање не забрави на место.
- Када чујете кликтање, батеријско паковање је постављено.

3.9 УКЛАЊАЊЕ БАТЕРИЈСКОГ ПАКОВАЊА

Слика 5.

- Притисните и држите дугме за отпуштање батерије.
- Уклоните батеријско паковање из машине.

4 РАД

i БЕЛЕШКА

Када померате машину, извадите батеријско паковање и држите руке подаље од дугмета за деблокаду.

i ВАЖНО

Пре сваке употребе проверите затегнутост ланца.

4.1 ИСПИТИВАЊЕ ПОДМАЗИВАЊА ЛАНЦА

i БЕЛЕШКА

Машину немојте користити без довољног подмазивања ланца.

Слика 2.

1. Испитајте ниво мазива машине на индикатору уља.
2. Додајте још мазива ако је потребно.

4.2 ПОКРЕТАЊЕ МАШИНЕ

Слика 7.

1. Поставите батеријско паковање у машину.
2. Притисните безбедносно дугме за деблокаду.
3. Повуците мало безбедносно дугме за деблокаду према горе.
4. Притисните окидач.

4.3 ЗАУСТАВИТЕ МАШИНУ

Слика 7.

1. Да бисте зауставили машину отпустите прекидач.

4.4 КРЕСАЊЕ ДРВЕТА

Слика 8.

▲ УПОЗОРЕЊЕ

Водите рачуна да у простору где гране падају нема ничега или никога.

- Станите са супротне стране од гране коју ћете сећи.
- Почните са сечењем виших грана.
- Затим исеците ниже гране.
- Сеците према доле како бисте спречили да се мач заглави.

4.5 КРЕСАЊЕ ГРАНА

Кресање је уклањање грана са обореног дрвета.

Слика 9.

1. Сачувајте веће ниже гране како би држале дебло изнад тла.
2. Мање гране исеците једним потезом.
3. Гране које су напегнуте сеците од доле ка горе.
4. Веће ниже гране сачувајте као потпору док се дебло не окреше.

5 ОДРЖАВАЊЕ

▲ ОПРЕЗ

Немојте дозволити да кочиона течност, бензин, материје на бази петролеја дођу у додир са пластичним деловима. Хемикалије могу изазвати оштећење пластике и учинити је неупотребљивом.

▲ ОПРЕЗ

Немојте користити снажне раствараче или детерџенте на пластичном кућишту или деловима.

▲ УПОЗОРЕЊЕ

Уклоните батеријско паковање из машине пре одржавања.

5.1 ПОДЕШАВАЊЕ ЗАТЕГНУТОСТИ ЛАНЦА

Слика 10.13.14

▲ ОПРЕЗ

Носите заштитне рукавице ако додирујете ланац, мач или простор око ланца.

1. Отпустите облогу ланца окретањем сигурносне навртке облоге ланца супротно од казаљке.

i БЕЛЕШКА

Да бисте подесили затегнутост ланца није потребно да скидате његову облогу.

2. Окрените завртањ за подешавање ланца у смеру казаљке да бисте повећали његову затегнутост.
3. Окрените завртањ за подешавање ланца супротно од казаљке да бисте смањили затегнутост.
4. Када је ланац на траженој затегнутости, дотегните облогу ланца.

5.2 ОШТРЕЊЕ НОЖЕВА

Наоштрите ножеве ако ланац не улази лако у дрво.

i БЕЛЕШКА

Препоручујемо да важан посао оштрења спроведе ваше продајно представништво, које поседује електрични оштрач.

Слика 15-18.

1. Затезање ланца.
2. Угао ножа оштрите помоћу заобљене турпије од 4,5 мм.
3. Горњу плочицу, бочну плочицу и мерач дубине оштрите равном турпијом.

4. Све ножеве обрадите турпијом на назначене углове и исту дужину.

i БЕЛЕШКА

Током процеса,

- Турпију држите равно на површини коју треба наоштрили.
- Користите средишњу тачку турпије.
- Када оштрите површину употребите незнатан али постојан притисак.
- При сваком повратном потезу подигните турпију.
- Наоштрите ножеве на једној страни а затим пређите на другу страну.

Замените ланац ако:

- Дужина ивица ножа не прелази 5 мм.
- Постоји превише простора између погонских карика и заковица.
- Брзина сечења постане превише мала
- Ланац је оштрин много пута али то не повећава брзину сечења. Ланац је истрошен.

5.3 ОДРЖАВАЊЕ МАЧА

Слика 19-20.

i БЕЛЕШКА

Водите рачуна да се периодично изокрене како би се постигло поједнако трошење мача.

1. Подмазујте лежајеве на носном ланчанику (ако постоји) помоћу шприца (не испоручује се).
2. Жлеб мача чистите помоћу кукастог стругача (не испоручује се).
3. Чистите отворе за подмазивање.
4. Уклоните струготину са ивица и поравнајте ножеве помоћу равне турпије.

Замените мач ако:

- жлеб не одговара висини погонских карика (које никада не смеју додиривати дно).
- унутрашњост мача је истрошена и чини да се ланац нагиње на једну страну.

6 ТРАНСПОРТ И СКЛАДИШТЕЊЕ

Пре него што померите машину, увек

- Уклоните батеријско паковање из машине.
- Држите руке подаље од дугмета за деблокаду.
- Ставите футролу на мач и ланац.

Пре него што ускладиштите машину, увек

- Уклоните сво прекомерно уље са машине.
- Уклоните батеријско паковање из машине.

- Очистите сав нежељени материјал са машине.
- Уверите се да складишни простор
 - Није доступно за децу.
 - Држите подаље од средстава која могу изазвати корозију, као што су баштенске хемикалије и со за одлеђивање.

7 ОТКЛАЊАЊЕ ПРОБЛЕМА

Проблем	Могући узрок	Решење
Машина се не покреће.	Шипке нису правилно састављене.	Sastavite стубове према прутствима dobavljača.
	Дугме за деблокаду и прекидач нису притиснути истовремено.	<ol style="list-style-type: none"> 1. Притисните и држите дугме за закључавање 2. Док држите дугме за деблокаду, повуците окидач. 3. Отпустите дугме за деблокаду да бисте покренули машину.
Мач и ланац постају врући и почињу да се диме.	Посуда за уље је празна.	Напуните посуду за уље.
	Отвор за избацивање је блокиран.	<ol style="list-style-type: none"> 1. Уклоните батеријско паковање. 2. Уклоните прљавштину са отвора за избацивање.
	Улазни отвор унутрашње посуде за уље је блокиран.	<ol style="list-style-type: none"> 1. Очистите посуду за уље. 2. Напуните је чистим мазивом за мач и ланац.
	Ланчаник је блокиран и зачепљен отпаcima.	<ol style="list-style-type: none"> 1. Очистите ланчаник. 2. Напуните је чистим мазивом за мач и ланац.

Проблем	Могући узрок	Решење
Мач и ланац постају превише врући и не могу вршити сечење.	Затегнутост ланца је сувише велика или сувише мала.	Погледајте Подешавање затегнутости ланца у упутству.
	Ланац је отупео	Наоштрите или замените ланац.
	Ланац је постављен наопако.	Издавите ланац и поставите га у правилном смеру.
Мотор ради али ланац не сече правилно или се мотор зауставља након приближно 3 секунде.	Када користите машину под оптерећењем, она се зауставља.	<ol style="list-style-type: none"> Отпустите прекидач. Поново покрените машину.
	Ланац није подмазан.	Подмажите ланац да бисте смањили трење.

8 ТЕХНИЧКИ ПОДАЦИ

Напон	82 V DC
Брзина без оптерећења	20.5 m/s
Дужина мача	250 mm
Капацитет уља за ланац	150 ml
Тежина (без батеријског паковања)	5.35 kg
Измерени ниво звучног притиска	$L_{pA} = 83 \text{ dB(A)}$, $K_{pA} = 3 \text{ dB(A)}$
Гарантовани ниво јачине звука	$L_{WA,d} = 99 \text{ dB(A)}$
Вибрације	$< 2.5 \text{ m/s}^2$, $K = 1,5 \text{ m/s}^2$
Ланац	25AP058X
Водилица	100SDAA041(509877)
Модел батерије	82V180, 82V290P, 82V360, 82V580P и други серије BAV
Модел пуњача	82C6 и други серије CAB
IPX	IPX4

9 ЕЗ ДЕКЛАРАЦИЈА О УСКЛАЂЕНОСТИ

Naziv i адреса произвођача:

Име: GLOBGRO AB
Globe Group Europe

Адреса: Riggaregatan 53, 211 13 Malmö,
Шведска

Име и адреса особе овлашћене за прикупљање техничке документације:

Име: Micael Johansson
Адреса: Riggaregatan 53, 211 13 Malmö,
Шведска

Овим изјављујемо да производ

Категорија: Телескопска тестера
Модел: 82PST39(PSB402)
Серијски број: Погледајте ознаку класе производа
Година производње: Погледајте ознаку класе производа

- јесте у сагласју са релевантним одредбама Директиве о машинама 2006/42/EЗ.
- јесте у сагласју са одредбама следећих других Директива-ЕЗ:
 - 2014/30/EУ
 - 2000/14/EЗ & 2005/88/EЗ
 - 2011/65/EУ & 2015/863/EУ

Поред тога, изјављујемо да су коришћени следећи (делови/тачке) Хармонизовани европски стандарди:

- EN 60745-1, EN ISO 11680-1, EN 55014-1, EN 55014-2, EN ISO 3744, ISO 11094, IEC 62321-3-1, IEC 62321-4, IEC 62321-5, IEC 62321-6, IEC 62321-7-1, IEC 62321-7-2, IEC 62321-8

Измерени ниво јачине звука: $L_{WA} = 95.7 \text{ dB(A)}$

Гарантовани ниво јачине звука: $L_{WA,d} = 99 \text{ dB(A)}$

Метод процене сагласја према Анексу VI/Директива 2000/14/EЗ.

Број сертификата испитивања по стандарду ЕЗ: издаје SGS Fimko Ltd (0598), Takomotie 8, FI-00380 Helsinki, Finland.

Место, датум: Mal-
mő, 11.11.2021

Потпис: Ted Qu, Директор
провере квалитета

Ted Qu

1	Përshkrimi.....	187	4.1	Ekzaminoni lubrifikimin e zinxhirit.....	188
1.1	Qëllimi.....	187	4.2	Nisni makinën.....	188
1.2	Vështrim i përgjithshëm.....	187	4.3	Ndaloni makinën.....	188
2	Paralajmërimet e përgjithshme të sigurisë.....	187	4.4	Prerja e një peme.....	189
3	Instalimi.....	187	4.5	Degët e pemëve të gjymtyrëve.....	189
3.1	Shpaketoni makinën.....	187	5	Mirëmbajtja.....	189
3.2	Shtoni shiritin dhe lubrifikantin e zinxhirit.....	187	5.1	Rregulloni tensionin e zinxhirit.....	189
3.3	Montoni shiritin udhëzues dhe zinxhirin.....	187	5.2	Mprehni prerëset.....	189
3.4	Përdorni rripin e shpatullave.....	188	5.3	Mirëmbajtja e shiritit udhëzues.....	190
3.5	Rregulloni gjatësinë e sharrës me shtyllë.....	188	6	Transporti dhe magazinimi.....	190
3.6	Rregulloni kokën e sharrës së engjëllit të shtyllës.....	188	7	Zgjidhja e problemeve.....	190
3.7	Përgatitja e prerjes.....	188			
3.8	Instaloni paketën e baterisë.....	188			
3.9	Hiqni paketën e baterisë.....	188			
4	Operacioni.....	188			

1 PËRSHKRIM

1.1 QËLLIMI

Produkti i pajisur me një shtojcë prerëse të montuar në një shtyllë për t'i mundësuar operatorit të presë degët e pemëve në këmbë, por nuk ka për qëllim prerjen e drurëve si sharrë elektrike me zinxhir normal.

Kjo pajisje nuk është e destinuar për t'u përdorur nga persona (përfshirë fëmijët) me pak të kuptuar ose mungesë përvojë dhe njohurie, përveç rastit kur atyre u është dhënë mbikëqyrje ose udhëzime në lidhje me përdorimin e pajisjes nga një person përgjegjës për sigurinë e tyre.

Fëmijët duhet të mbikëqyren për t'u siguruar që ata të mos luajnë me pajisjen.

1.2 PËRMBLEDHJE

Figura 1-20.

1 Butoni i mbylljes	12 Zinxhiri i sharrës
2 Buton i vogël mbyllës	13 Kapak i rezervuarit të naftës
3 Kthesë	14 Treguesi i vajit
4 Dorezë ndihmëse	15 Brazdë bar
5 Doreza e sharrës me shtyllë	16 Prerës
6 Unazë mbajtëse	17 Lidhjet e zinxhirit të makinës
7 Kapak me vidë	18 Me dhëmbëza
8 Shtylla e zgjatjes	19 Kurja e tensionit të zinxhirit vrimë
9 Koka e pashës së Polt	20 Dado e bllokimit të kapakut të zinxhirit
10 Mbulesa e zinxhirit	21 Vidhosja e tensionit të zinxhirit
11 Shirit udhëzues	

2 SIGURIA E PËRGJITHSHME PARALAJMËRIME

⚠ PARALAJMËRIM

Lexoni të gjitha paralajmërimet e sigurisë, udhëzimet, ilustrimet dhe specifikimet e dhëna me këtë makinë. Mosndjekja e të gjitha udhëzimeve të listuara më poshtë mund të rezultojë në goditje elektrike, zjarr dhe/ose lëndim serioz.

Ruani të gjitha paralajmërimet dhe udhëzimet për referencë në të ardhmen.

Termi "vegël elektrik" në paralajmërimet i referohet veglës suaj elektrik të operuar nga rrjeti (me kablo) ose veglës tuaj elektrik që funksionon me bateri (pa kablo).

3 INSTALIMI

3.1 SHPAKONI MAKINËN

⚠ PARALAJMËRIM

Sigurohuni që e keni montuar saktë makinën përpara përdorimit.

⚠ PARALAJMËRIM

- Nëse pjesët janë dëmtuar, mos e përdorni makinën.
- Nëse nuk i keni të gjitha pjesët, mos e përdorni makinën.
- Nëse pjesët janë të dëmtuara ose mungojnë, flisni me qendrën e shërbimit.

1. Hapni paketën.
2. Lexoni dokumentacionin në kuti.
3. Hiqni të gjitha pjesët e pamontuara nga kutia.
4. Hiqeni makinën nga kutia.
5. Hidhni kutinë dhe paketimin në përputhje me rregulloret lokale.

3.2 SHTO LUBRIKANTIN E SHIRIT DHE ZINXIRIT

Ekzaminoni sasinë e vajit në makinë. Nëse niveli i vajit është i ulët, shtoni shufrën dhe lubrikantin e zinxhirit si më poshtë.

i E RËNDËSISHME

Përdorni lubrikant me shufra dhe zinxhir që është vetëm për zinxhirë dhe vavra zinxhiresh.

i SHËNIM

Makina vjen nga fabrika pa lubrikant shufra dhe zinxhir.

1. Lironi dhe hiqni kapakun nga rezervuari i vajit.
2. Hidhni vajin në rezervuarin e vajit.
3. Monitoroni treguesin e vajit për t'u siguruar që asnjë papastërti të mos hyjë në rezervuarin e vajit ndërsa shtoni vajin.
4. Vendosni kapakun e vajit.
5. Shtrengoni kapakun e vajit.
6. Një rezervuar vaji i mbushur plotësisht do të zgjasë për 15 - 40 minuta kohë funksionimi.

i E RËNDËSISHME

Mos përdorni vaj të ndotur, të përdorur ose të kontaminuar. Dëmtimi mund të ndodhë në shiritin ose zinxhirin.

3.3 MBLEDHNI SHIFREN UDHËZUES DHE ZINXIRIN

Figura 10-14.

1. Hiqni paketën e baterisë nga pajisja.
2. Hiqni dadot e kapakut të zinxhirit me çelës.
3. Hiqni kapakun e zinxhirit.
4. Vendosni lidhjet e drejtim të zinxhirit në brazdë të shiritit.
5. Vendosni prerëset e zinxhirit në drejtim të funksionimit të zinxhirit.

- Vendoseni zinxhirin në pozicion dhe sigurohuni që laku të jetë prapa shiritit udhëzues.
- Mbajeni zinxhirin dhe shiritin.
- Vendosni qarkun e zinxhirit rreth rrotullës.
- Sigurohuni që vrima e kunjtit të tensionit të zinxhirit në shiritin udhëzues të përshatet saktë me bulonën.
- Instaloni kapakun e zinxhirit.
- Shtërngoni zinxhirin. I referohet *Rregulloni tensionin e zinxhirit*.
- Shtërngoni dadot kur zinxhiri të jetë i tendosur mirë.

i SHËNIM

Nëse e nisni sharrën me zinxhir me një zinxhir të ri, bëni një provë për 2-3 minuta. Pas kësaj, kontrolloni përsëri tensionin dhe shtërngoni zinxhirin nëse është e nevojshme.

3.4 PËRDORNI RRIpin e supit

Figura 4.

- Ngjitni karabinerin në unazën mbajtëse në shtyllë.
- Vendosni rripin e shpatullave.
- Rregulloni gjatësinë e rripit në mënyrë që karabina të jetë sa gjerësia e një dore nën ijën tuaj të djathtë.

3.5 RREGULLONI GJATESINË E SHARRAVE SHTYLE

Figura 3.

- Lironi jakën duke e kthyer në drejtim të kundërt të akrepave të orës.
- Tërhiqeni shtyllën zgjatuese lart ose prapa për të rregulluar gjatësinë e sharrës së shtyllës.
- Shtërngoni jakën.

3.6 RREGULLONI ENGELIN E KOKËS SË SHAFRISË SHTYLE

Koka e sharrës me shtyllë ka dy engjëj: 0° ose 90°, sharra me shtyllë mund të pritët vertikalisht ose horizontalisht.

Figura 6.

- Lironi dy vidhat në kokën e sharrës me shtyllë me çelës.
- Kthejeni kokën e sharrës me shtyllë 90° derisa vidhat të futen në vrimat e vidhave në shtyllë.
- Shtërngoni vidhat.

3.7 PËRGATITJA E PRERJES

Figura 4.

Para se të filloni të preni, sigurohuni që

- Vishni doreza të rënda për kapje dhe mbrojtje maksimale.
 - Mbani një kontroll të duhur në makinë gjatë funksionimit.
- Përdorni kapjen e dorës së djathtë në dorezën e pasme ndërsa kapjen e dorës së majtë në boshlin e shtyllës.

- Mbajeni trupin në të majtë të vijës së zinxhirit.

• Asnjëherë mos përdorni një kapje me dorën e majtë (me dorë të kryqëzuar) ose ndonjë qëndrim që e vendos trupin ose krahn tuaj për gjatë vijës së zinxhirit.

- Asnjëherë mos qëndroni drejtpërdrejt nën gjymtyrën që po preni.
- Kontrolloni periodikisht ngushtësinë e kollareve gjatë funksionimit.

3.8 INSTALON PAKETËN E BATERISË

Figura 5.

▲ PARALAJMËRIM

- Nëse paketa e baterisë ose karikuesi është dëmtuar, zëvendësoni paketën e baterisë ose karikuesin.
- Ndaloni makinën dhe prisni derisa motori të ndalojë përpara se të instaloni ose hiqni paketën e baterisë.
- Lexoni, kuptoni dhe ndiqni udhëzimet në manualin e baterisë dhe karikuesit.

- Drejtoni brinjët e ngritjes në paketën e baterisë me brazda në ndarjen e baterisë.
- Shtyjeni paketën e baterisë në ndarjen e baterisë derisa paketa e baterisë të vendoset në vend.
- Kur dëgjoni një klikim, paketa e baterisë është instaluar.

3.9 HIQ PAKETËN E BATERISË

Figura 5.

- Shtypni dhe mbani butonin e lirimit të baterisë.
- Hiqeni paketën e baterisë nga pajisja.

4 OPERACIONI

i SHËNIM

Hiqni paketën e baterisë dhe mbajini duart larg nga butoni i kyçjes kur e lëvizni makinën.

i E RËNDËSISHME

Ekzaminoni tensionin e zinxhirit përpara çdo përdorimi.

4.1 EKZAMINO LUBRIKIMIN E ZINXHIRIT

i SHËNIM

Mos e përdorni makinën pa lubrifikimin e mjaftueshëm të zinxhirit.

Figura 2.

- Ekzaminoni nivelin e lubrifikantit të makinës nga treguesi i vajit.
- Shtoni më shumë lubrifikant nëse është e nevojshme.

4.2 NISJE MAKINËN

Figura 7.

1. Instaloni paketën e baterisë në makinë.
2. Shtypni butonin e bllokimit të sigurisë.
3. Terhiqeni lart butonin e vogël të bllokimit të sigurisë.
4. Shtypni këmbëzën.

4.3 NDALONI MAKINËN

Figura 7.

1. Lëshoni këmbëzën për të ndaluar makinën.

4.4 SHKRIMI I NJË PEMË

Figura 8.

▲ PARALAJMËRIM

Sigurohuni që të mos ketë asgjë ose askush në zonën ku bien degët.

- Qëndroni përballë degës që do të prisni.
- Filloni të prisni degët më të larta.
- Më pas prisni degët e poshtme.
- Prisni poshtë për të parandaluar bllokimin e shiritit.

4.5 DEGJET E PEMEVE TE GJYMURAVE

Limbing është heqja e degëve nga një pemë e rënë.

Figura 9.

1. Mbani degët më të mëdha të poshtme për të mbajtur trungun nga toka.
2. Hiqni gjymtyrët e vogla në një prerje.
3. Gjymtyrët degët me tension nga poshtë lart.
4. Mbani degët më të mëdha të poshtme si një mbështetje derisa trungu të jetë i gjymtuar.

5 MIRËMBAJTJA

▲ KUJDES

Mos lejoni që lëngjet e frenave, benzina, materialet me bazë naftë të prekin pjesët plastike. Kimikatet mund të shkaktojnë dëmtim të plastikës dhe ta bëjnë atë të papërdorshme.

▲ KUJDES

Mos përdorni tretës ose detergjentë të fortë në kutinë plastike ose përbërësit.

▲ PARALAJMËRIM

Hiqeni paketën e baterisë nga makina përpara mirëmbajtjes.

5.1 RREGULLONI TENSIONIN E ZINXIRIT

Figura 10.13.14

▲ KUJDES

Vishni doreza mbrojtëse nëse prekni zinxhirin, shiritin ose zonat përreth zinxhirit.

1. Lironi kapakun e zinxhirit duke e rrotulluar dadën e kyçjes së kapakut të zinxhirit në drejtim të kundërt të akrepave të orës.

i SHËNIM

Nuk është e nevojshme të hiqni mbulesën e zinxhirit për të rregulluar tensionin e zinxhirit.

2. Kthejeni vidën e rregullimit të zinxhirit në drejtim të akrepave të orës për të rritur tensionin e zinxhirit.
3. Kthejeni vidën e rregullimit të zinxhirit në drejtim të kundërt të akrepave të orës për të ulur tensionin e zinxhirit.
4. Kur zinxhiri është në tensionin e dëshiruar, shtrëngoni kapakun e zinxhirit.

5.2 MPRENI FRESËT

Mprehni prerëset nëse nuk është e lehtë që zinxhiri të futet në dru.

i SHËNIM

Ne rekomandojmë që tregtari juaj, i cili ka një mprehës elektrik, të kryejë punë të rëndësishme mprehjeje.

Figura 15-18.

1. Zinxhiri i tensionit.
2. Mprehni këndin e prerësit me një skedar të rrumbullakët me diametër 4,5 mm.
3. Mprehni pllakën e sipërme, pllakën anësore dhe matësin e thellësisë me një skedar të sheshtë.
4. Mbyllni të gjithë prerëset në këndet e specifikuar dhe të njëjtën gjatësi.

i SHËNIM

Gjatë procesit,

- Mbajeni skedarin të sheshtë me sipërfaqen që duhet mprehur.
- Përdorni pikën e mesit të shiritit të skedarëve.
- Përdorni presion të lehtë por të fortë kur mprehni sipërfaqen.
- Ngrini skedarin larg në çdo goditje kthimi.
- Mprehni prerëset nga njëra anë dhe më pas kaloni në anën tjetër.

Zëvendësoni zinxhirin nëse:

- Gjatësia e skajeve të prerjes është më e vogël se 5 mm.
- Ka shumë hapësirë midis lidhjeve të makinës dhe ribatinave.
- Shpejtësia e prerjes është e ngadaltë
- Mprehja e zinxhirit shumë herë por nuk rrit shpejtësinë e prerjes. Zinxhiri është i veshur.

5.3 MIRËMBAJTJA E BARIT UDHËZUES

Figura 19-20.

SHËNIM

Sigurohuni që ajo të kthehet periodikisht për të mbajtur veshjen simetrike në shirit.

1. Lubrifikoni kushinetat në rrotullën e hundës (nëse ka) me shiringë (nuk përfshihet).
2. Pastroni brazdën e shiritit me grepin e gërvishtjes (nuk përfshihet).
3. Pastroni vrimat e lubrifikimit.
4. Hiqni grykën nga skajet dhe rrafshoni prerëset me një skedar të sheshtë.

Zëvendësoni shiritin nëse:

- brazda nuk përshatet me lartësinë e lidhjeve të makinës (të cilat nuk duhet të prekin kurrë pjesën e poshtme).
- Pjesa e brendshme e shiritit udhëzues është e konsumuar dhe bëjeni zinxhirin të anojë nga njëra anë.

6 TRANSPORTI DHE RUAJTJA

Para se të lëvizni makinën, gjithmonë

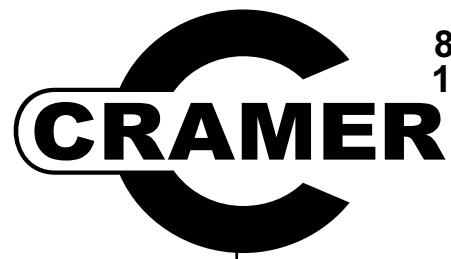
- Hiqeni paketën e baterisë nga pajisja.
- Mbani duart larg nga butoni i mbylljes.
- Vendosni këllëfin në shiritin udhëzues dhe zinxhirin.

Përpara se ta vendosni makinën në ruajtje, gjithmonë

- Hiqni të gjithë vajin e mbetur nga makina.
- Hiqeni paketën e baterisë nga pajisja.
- Pastroni të gjithë materialin e padëshiruar nga makina.
- Sigurohuni që zona e magazinimit të jetë
 - Nuk është i disponueshëm për femijet.
 - Larg agjentëve që mund të shkaktojnë korrozion, si kimikatet e kopshtit dhe kripërat e ngrirjes.

7 ZGJIDHJA E PROBLEMEVE

Problem	Shkak i mundshëm	Zgjidhje
Makina bën mos filloni.	Shtyllat nuk janë të montuara kor-drejtpërsdrejti.	Mblidhni polet sipas udhëzimit.
	Bllokimi por-ton dhe këmbëza nuk janë në depresion në të njëjtën kohë.	1. Shtyni dhe mbani bllokimin butonin 2. Ndërsa ju mbaj bllokimin - butoni i daljes, tërhiq këmbëzën-ger. 3. Lëshoni mbyllje por-ton për të nisur makinën.
Shiriti dhe zinxhiri nxehen dhe pi duhan.	Rezervuari i vajit është bosh.	Mbushni rezervuarin e vajit.
	Shkarkimi porti është i bllokuar.	1. Hiqni paketë baterish. 2. Hiqni papastërtitë nga dis-porta e karikimit.
	Hapja e hyrjes së rezervuari i brendshëm i vajit është i bllokuar.	1. Pastroni rezervuarin e vajit. 2. Mbushni me shirit dhe zinxhir të pastër lubrifikant.
	Me dhëmbëza është i mbërthyer dhe i bllokuar me mbeturina.	1. Pastroni me dhëmbëza. 2. Mbushni me shirit dhe zinxhir të pastër lubrifikant.
Shiriti dhe zinxhiri nxehen shumë dhe nuk mund të priten.	Tensioni i zinxhirit është shumë e ngushtë ose shumë e lëshme.	Referojuni Rregullo Tensioni i Zinxhirit në manual.
	Zinxhiri është i shurdhër	Mpreh ose ri-vendosni zinxhirin.
	Zinxhiri vihet mbrapsht.	Hiqeni zinxhirin dhe kthejeni në drejtimin e duhur.
Motori funksionon, por zinxhiri nuk pritë si duhet, ose motori ndalon pas rreth 3 sekonda.	Kur përdorni makinën nën ngarkohet, ndalon.	1. Lëshoni shkas. 2. Niseni sërish makinën.
	Zinxhiri nuk është i lubrifikuar.	Lubrifikoni zinxhir për t'u ulur fërkimin.



82PST
1400086

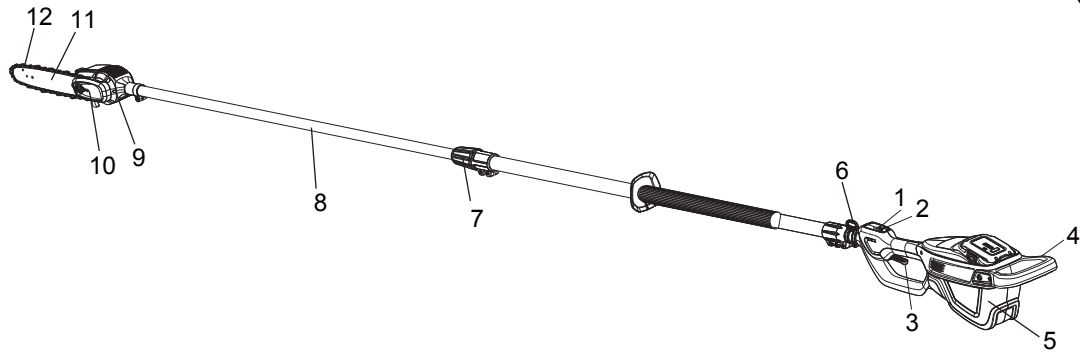


Fig. 1

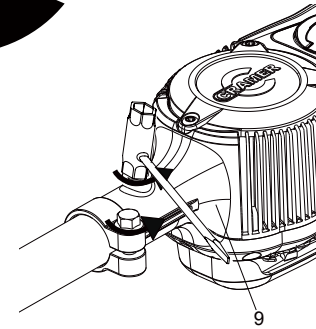


Fig. 4

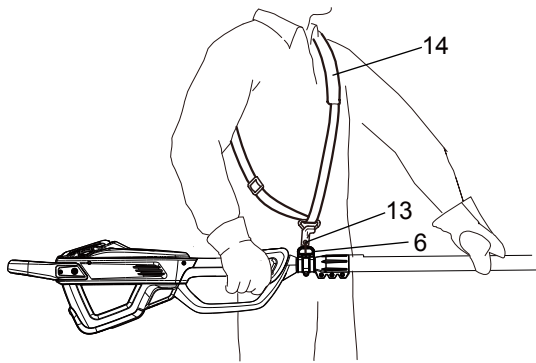


Fig. 2

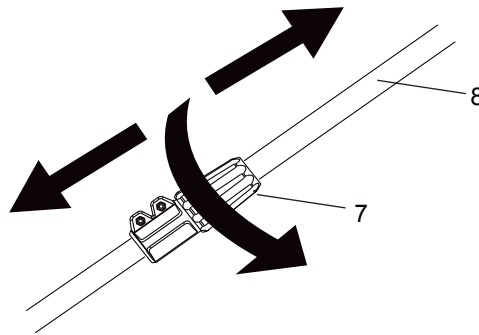


Fig. 3

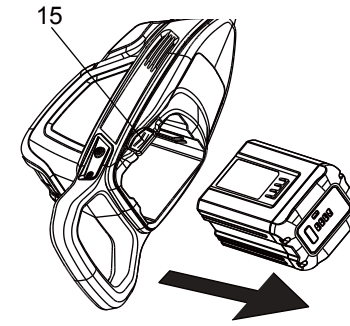


Fig. 5

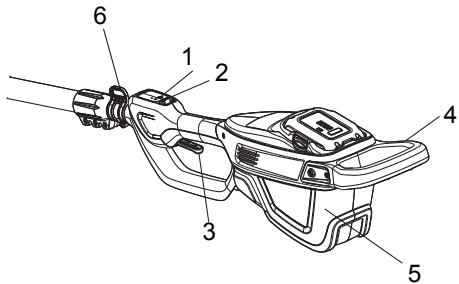


Fig. 6

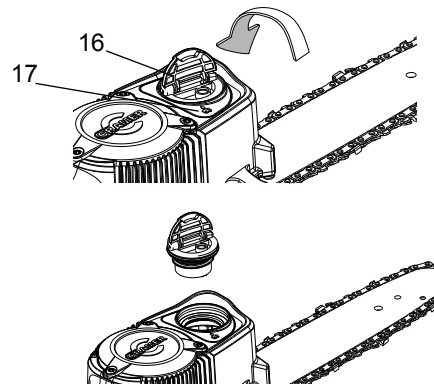


Fig. 7

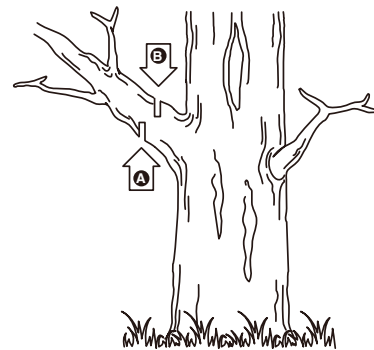


Fig. 8

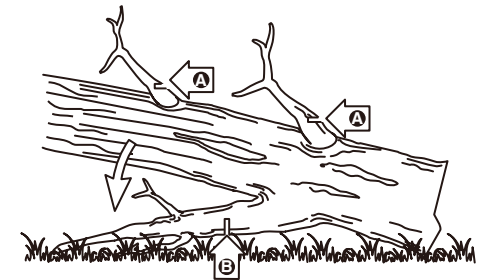
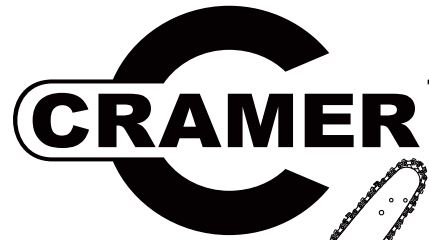


Fig. 9



82PST
1400086

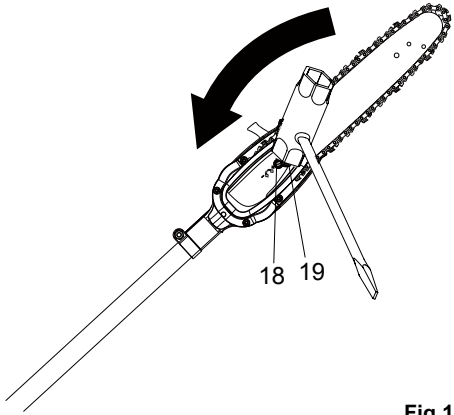


Fig. 10

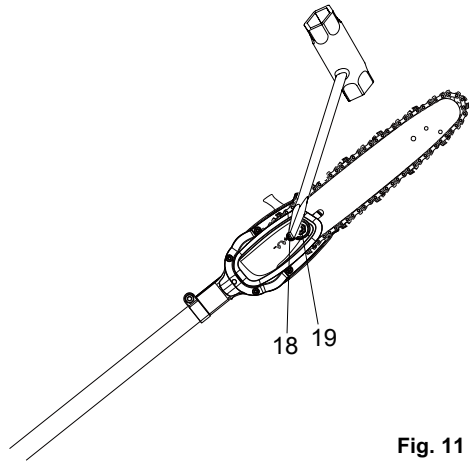


Fig. 11

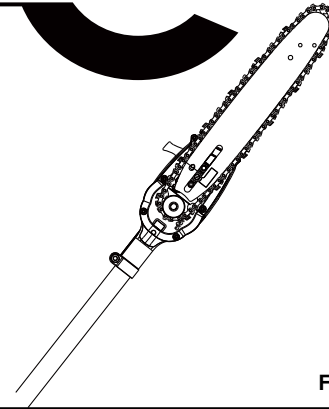


Fig. 12

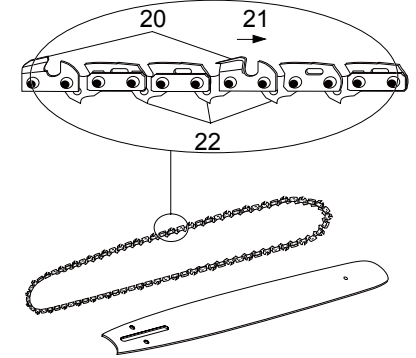


Fig. 13

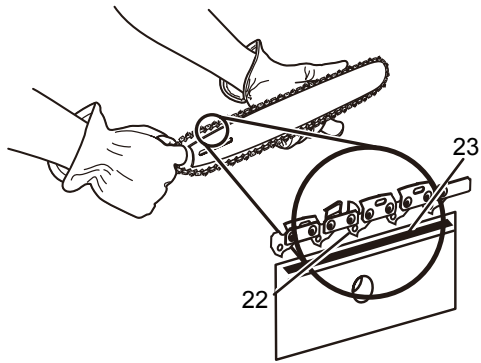


Fig. 14

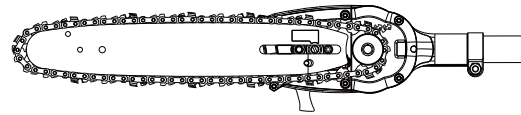


Fig. 15

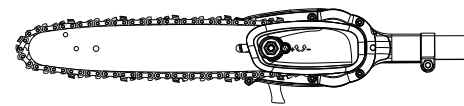


Fig. 16

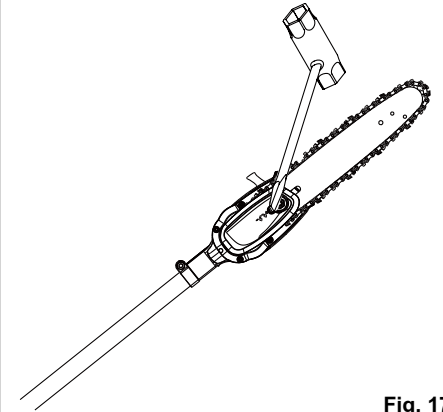


Fig. 17

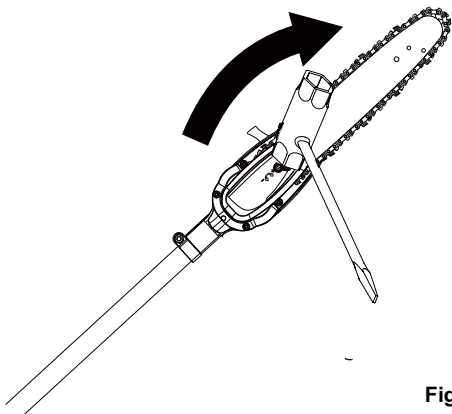


Fig. 18